

# SUBCON-PLUS M1 - D-SUB bus connector



2761826

<https://www.phoenixcontact.com/us/products/2761826>

Please be informed that the data shown in this PDF document is generated from our online catalog. Please find the complete data in the user documentation. Our general terms of use for downloads are valid.



D-SUB connector, 9-pos., male connector, two 35° cable entries, bus system: Modbus, Modbus Plus, BITBUS, ARCNET, MULT/MININET (B&R), SYSTEM 2003 (B&R), P-NET, pin assignment: 1, 2, 3, 5, 6, 8 to two screw connection terminal blocks

## Product description

Two cable infeeds are often required on the D-SUB plugs used in order to build fieldbus systems with RS-485 interfaces. The SUBCON-PLUS plugs range fulfills this requirement and routes the connection to screw terminal blocks – however, duplicated – for two cables. This means clarity during wiring and it simplifies every startup. These plugs are of course also shielded against EMC influences with a metallized housing. In addition, by placing the connection block in either the upper or lower shell, it is possible to select the cable infeed on site from the right or left .

## Your advantages

- Separate terminal blocks for each cable
- Assembly under field conditions
- High transmission speed
- Easy assembly thanks to knurled screws
- High level of EMC
- Flexibility in terms of cable entry selection
- Can be used universally
- Change to the D-SUB orientation through a reversible connection block



# RS-485



## Commercial data

Item number	2761826
Packing unit	1 pc
Minimum order quantity	1 pc
Sales key	DN10

# SUBCON-PLUS M1 - D-SUB bus connector



2761826

<https://www.phoenixcontact.com/us/products/2761826>

Product key	DNC521
GTIN	4017918131821
Weight per piece (including packing)	58.3 g
Weight per piece (excluding packing)	75.5 g
Customs tariff number	85366990
Country of origin	DE

# SUBCON-PLUS M1 - D-SUB bus connector



2761826

<https://www.phoenixcontact.com/us/products/2761826>

## Technical data

### Notes

#### Utilization restriction

CCCex note	Use in potentially explosive areas is not permitted in China.
------------	---

### Product properties

Product type	Data plug
MTTF	6706 Years (SN 29500 standard, temperature 25°C, operating cycle 21%)
	1817 Years (SN 29500 standard, temperature 40°C, operating cycle 34.25%)
	155 Years (SN 29500 standard, temperature 40°C, operating cycle 100%)
Pin assignment	1, 2, 3, 5, 6, 8 on two terminal blocks

### Electrical properties

Nominal voltage $U_N$	50 V DC
Nominal current $I_N$	100 mA
Transmission medium	Copper

### Connection data

#### D-SUB connection

Connection method	D-SUB connector
-------------------	-----------------

#### PCB connection

Connection method	Screw connection
Stripping length	5 mm
Conductor cross-section, rigid min.	0.14 mm <sup>2</sup>
Conductor cross-section, rigid max.	1.5 mm <sup>2</sup>
Conductor cross-section flexible min.	0.14 mm <sup>2</sup>
Conductor cross-section flexible max.	1 mm <sup>2</sup>
Single-wire/terminal point, rigid AWG min.	26
Single-wire/terminal point, rigid AWG max.	16
Min. AWG conductor cross-section, flexible	26
Max. AWG conductor cross-section, flexible	18
Tightening torque	0.22 Nm ... 0.25 Nm

### Interfaces

Bus system	Modbus, BODBUS-PLUS, BITBUS, ARCNET, MULT/MININET(B&R), SYSTEM 2003(B&R), P-NET
Signal	RS-485

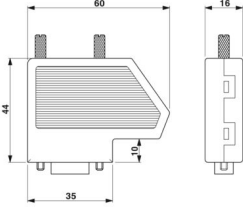
### Dimensions

# SUBCON-PLUS M1 - D-SUB bus connector



2761826

<https://www.phoenixcontact.com/us/products/2761826>

Dimensional drawing	
Width	16 mm
Height	44 mm
Length	60 mm

## Material specifications

Color (Housing)	white aluminium (RAL 9006)
Material (Housing)	ABS (metal-plated)

## Cable/line

External cable diameter	6 mm ... 10 mm (Incoming bus line)
-------------------------	------------------------------------

## Mechanical properties

### Mechanical data

Insertion/withdrawal cycles	> 200
Fixing screws	4-40 UNC
Tightening torque	0.4 Nm

## Mechanical tests

Vibration resistance in accordance with EN 60068-2-6/IEC 60068-2-6	: 5g, 10...150 Hz, 2.5 h, in XYZ direction
Shock in accordance with EN 60068-2-27/IEC 60068-2-27	: 15g, 11 ms period, half-sine shock pulse

## Environmental and real-life conditions

### Ambient conditions

Degree of protection	IP20
Ambient temperature (operation)	-20 °C ... 75 °C
Ambient temperature (storage/transport)	-25 °C ... 80 °C
Altitude	≤ 5000 m (For restrictions, see the manufacturer's declaration for altitude operation)
Permissible humidity (operation)	10 % ... 95 % (non-condensing)
Permissible humidity (storage/transport)	5 % ... 95 % (non-condensing)

## Approvals

### ATEX

Identification	Ⓔ II 3 G Ex ec IIC T4 Gc
Certificate	PxCIF14ATEX2744267X

# SUBCON-PLUS M1 - D-SUB bus connector



2761826

<https://www.phoenixcontact.com/us/products/2761826>

Note	Please follow the special installation instructions in the documentation!
Corrosive gas test	
Identification	ISA-S71.04-1985 G3 Harsh Group A

## Standards and regulations

Free from substances that could impair the application of coating	VDMA 24364:2018-05
---	--------------------

# SUBCON-PLUS M1 - D-SUB bus connector

2761826

<https://www.phoenixcontact.com/us/products/2761826>



## Drawings

Dimensional drawing



Dimensional drawing SUBCON-PLUS...

# SUBCON-PLUS M1 - D-SUB bus connector



2761826

<https://www.phoenixcontact.com/us/products/2761826>

Schematic diagram



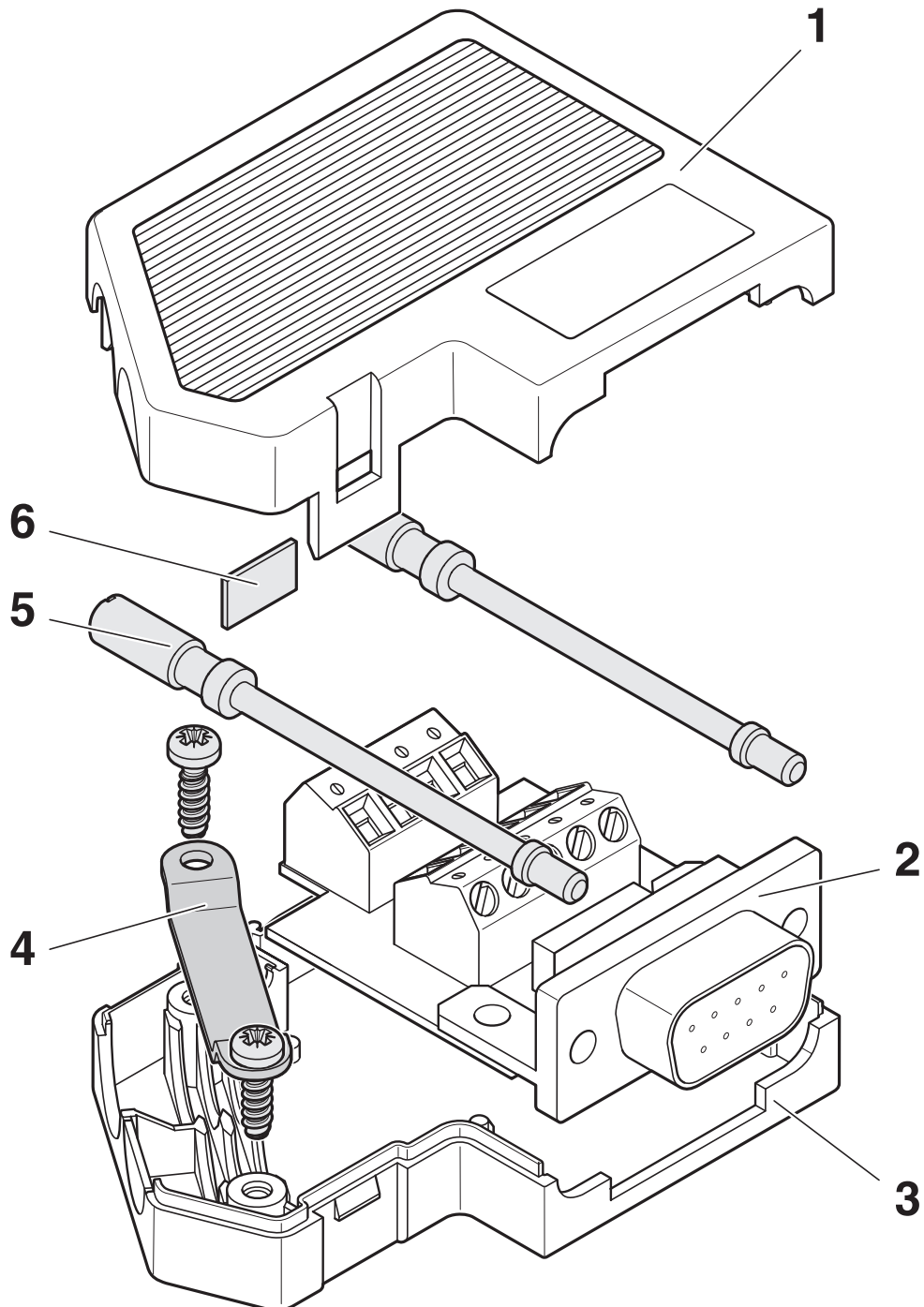
Stripping specifications

# SUBCON-PLUS M1 - D-SUB bus connector

2761826

<https://www.phoenixcontact.com/us/products/2761826>

Schematic diagram



Function elements

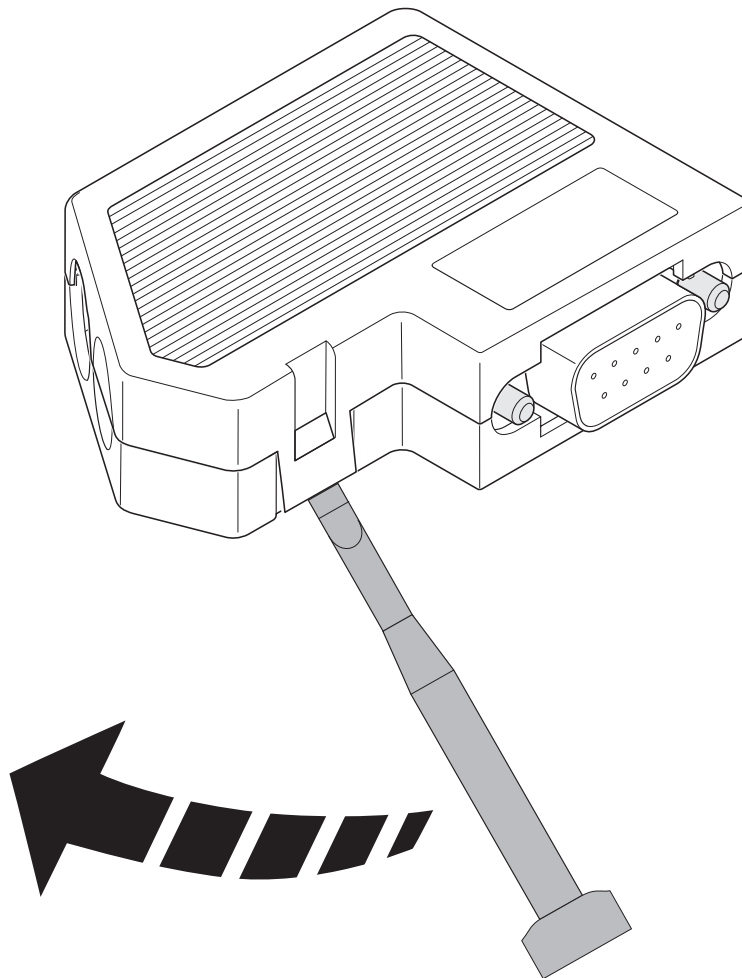
# SUBCON-PLUS M1 - D-SUB bus connector

2761826

<https://www.phoenixcontact.com/us/products/2761826>



Schematic diagram



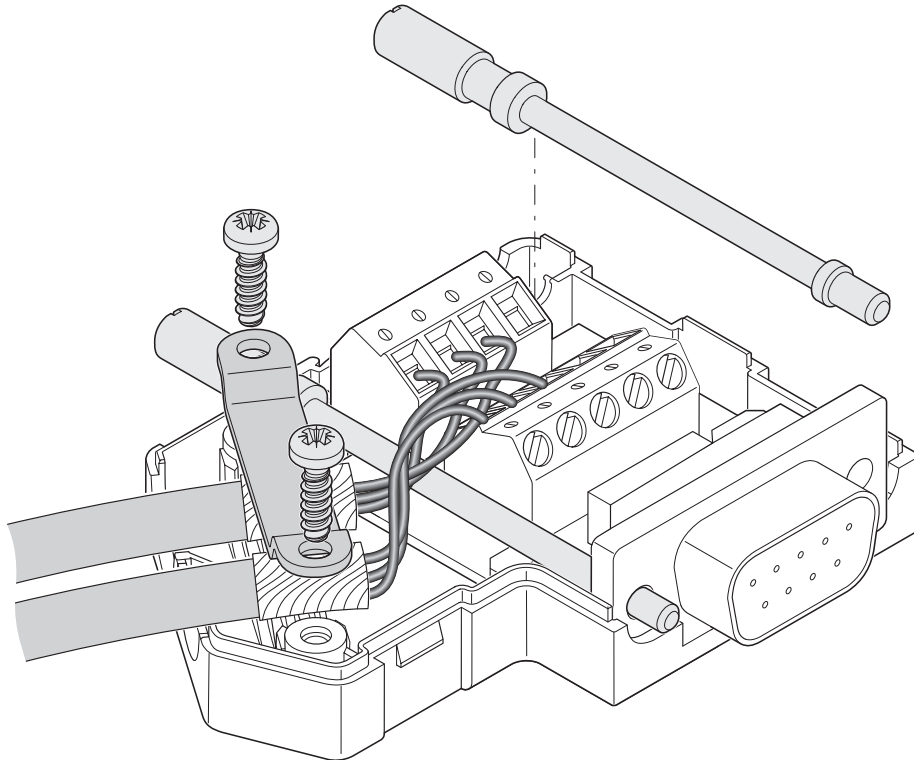
Opening the housing

# SUBCON-PLUS M1 - D-SUB bus connector

2761826

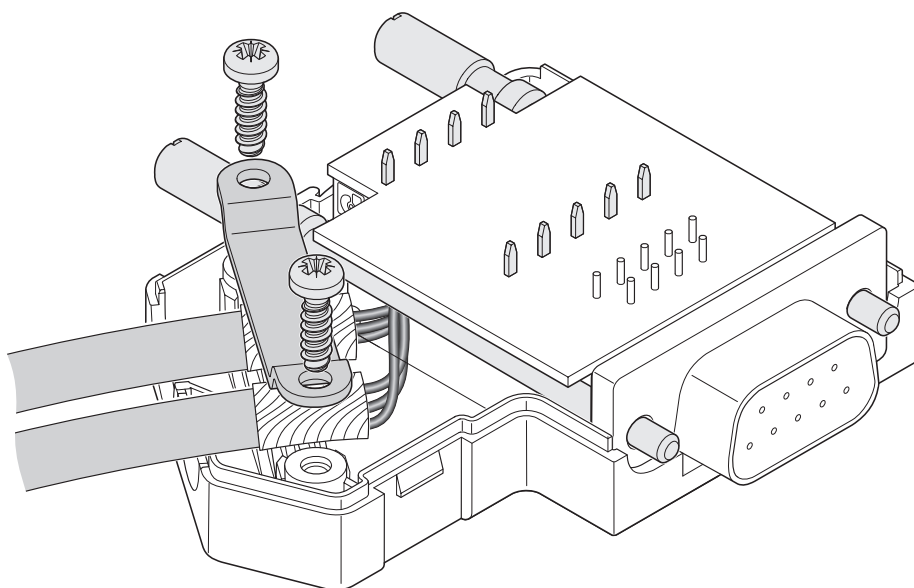
<https://www.phoenixcontact.com/us/products/2761826>

Schematic diagram



Left-hand side cable entry

Schematic diagram



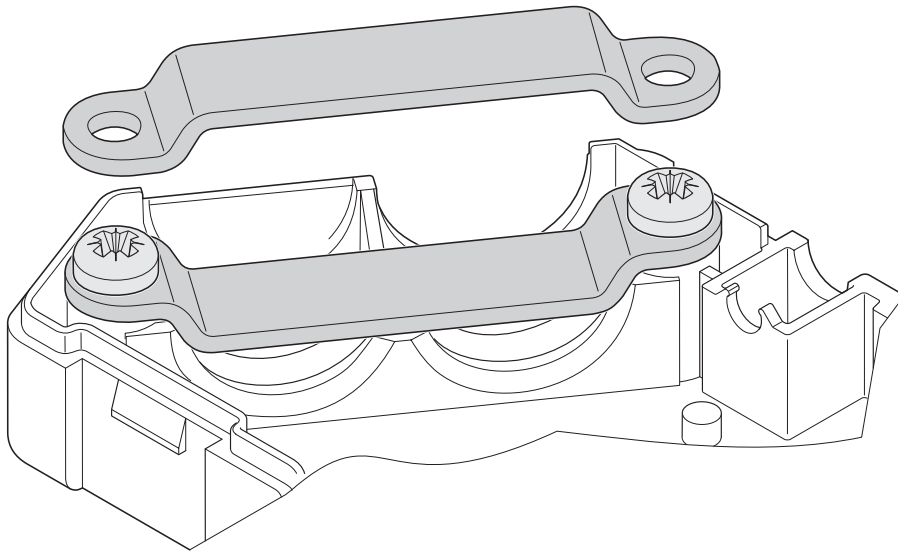
Right-hand side cable entry

# SUBCON-PLUS M1 - D-SUB bus connector

2761826

<https://www.phoenixcontact.com/us/products/2761826>

Schematic diagram



Clip bracket

# SUBCON-PLUS M1 - D-SUB bus connector



2761826

<https://www.phoenixcontact.com/us/products/2761826>

## Classifications

### ECLASS

ECLASS-13.0	27440302
ECLASS-15.0	27440322

### ETIM

ETIM 10.0	EC001132
-----------	----------

### UNSPSC

UNSPSC 21.0	39121400
-------------	----------

# SUBCON-PLUS M1 - D-SUB bus connector



2761826

<https://www.phoenixcontact.com/us/products/2761826>

## Environmental product compliance

### EU RoHS

Fulfills EU RoHS substance requirements	Yes, No exemptions
---	--------------------

### China RoHS

Environment friendly use period (EFUP)	EFUP-E
	No hazardous substances above the limits

### EU REACH SVHC

REACH candidate substance (CAS No.)	No substance above 0.1 wt%
-------------------------------------	----------------------------

### EF3.1 Climate Change

CO2e kg	0.413 kg CO2e
---------	---------------

Phoenix Contact 2026 © - all rights reserved  
<https://www.phoenixcontact.com>

Phoenix Contact USA  
586 Fulling Mill Road  
Middletown, PA 17057, United States  
(+717) 944-1300  
[info@phoenixcon.com](mailto:info@phoenixcon.com)