

# SUBCON 9/M-SH - D-SUB bus connector



2761509

<https://www.phoenixcontact.com/us/products/2761509>

Please be informed that the data shown in this PDF document is generated from our online catalog. Please find the complete data in the user documentation. Our general terms of use for downloads are valid.



D-SUB connector, 9-pos., pin, one 35° cable outlet, universal type for all systems, pin assignment: 1, 2, 3, 4, 5, 6, 7, 8, 9 to screw connection terminal block

## Product description

The 9-pos. version of the SUBCON-... connector range is not just suitable for INTERBUS, but is positively ideal. A whole host of further applications are opened up by having all the connections assigned to their own 1 mm<sup>2</sup> screw terminal block. The range covers SUBCON plugs for point-to-point connections with a cable infeed in 9, 15 and 25-pos. male or female versions. The optional fastening screw SUBCON-SHORT-SCREW is available as an accessory for narrow installation conditions. The screw is completely integrated into the housing by not having a knurl.

## Your advantages

- Easy assembly thanks to knurled screws
- Can be used universally
- Flexibility in terms of cable entry selection
- Assembly under field conditions
- High level of EMC
- Change to the D-SUB orientation through a reversible connection block

## Commercial data

Item number	2761509
Packing unit	1 pc
Minimum order quantity	1 pc
Sales key	DN10
Product key	DNC511
GTIN	4017918064747
Weight per piece (including packing)	45.59 g
Weight per piece (excluding packing)	45.05 g
Customs tariff number	85366990
Country of origin	DE

# SUBCON 9/M-SH - D-SUB bus connector



2761509

<https://www.phoenixcontact.com/us/products/2761509>

## Technical data

### Notes

#### Note on application

Note on application	Only for industrial use
---------------------	-------------------------

#### Utilization restriction

CCCex note	Use in potentially explosive areas is not permitted in China.
------------	---

### Product properties

Product type	Data plug
MTTF	6706 Years (SN 29500 standard, temperature 25°C, operating cycle 21%)
	1817 Years (SN 29500 standard, temperature 40°C, operating cycle 34.25%)
	155 Years (SN 29500 standard, temperature 40°C, operating cycle 100%)
Pin assignment	All connections are 1:1 on the screw terminal block

### Electrical properties

Nominal voltage $U_N$	30 V AC/DC
Nominal current $I_N$	100 mA
Transmission medium	Copper

### Connection data

#### D-SUB connection

Connection method	D-SUB connector
-------------------	-----------------

#### PCB connection

Connection method	Screw connection
Stripping length	5 mm
Conductor cross-section, rigid min.	0.14 mm <sup>2</sup>
Conductor cross-section, rigid max.	1.5 mm <sup>2</sup>
Conductor cross-section flexible min.	0.14 mm <sup>2</sup>
Conductor cross-section flexible max.	1 mm <sup>2</sup>
Single-wire/terminal point, rigid AWG min.	26
Single-wire/terminal point, rigid AWG max.	16
Min. AWG conductor cross-section, flexible	26
Max. AWG conductor cross-section, flexible	18
Tightening torque	0.22 Nm ... 0.25 Nm

### Interfaces

Signal	Modbus
	RS-232

# SUBCON 9/M-SH - D-SUB bus connector

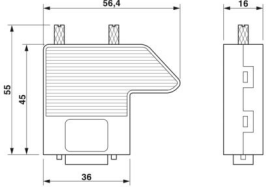


2761509

<https://www.phoenixcontact.com/us/products/2761509>

	RS-422
	RS-485

## Dimensions

Dimensional drawing	
Width	16 mm
Height	55 mm
Length	56.5 mm

## Material specifications

Color (Housing)	white aluminium (RAL 9006)
Material (Housing)	ABS (metal-plated)

## Cable/line

External cable diameter	4 mm ... 10 mm (Incoming bus line)
-------------------------	------------------------------------

## Mechanical properties

### Mechanical data

Insertion/withdrawal cycles	> 200
Fixing screws	4-40 UNC
Tightening torque	0.4 Nm

## Mechanical tests

Vibration resistance in accordance with EN 60068-2-6/IEC 60068-2-6	Operation: 5g, 10...150 Hz, 2.5 h, in XYZ direction
Shock in accordance with EN 60068-2-27/IEC 60068-2-27	Operation: 15g, 11 ms period, half-sine shock pulse

## Environmental and real-life conditions

### Ambient conditions

Degree of protection	IP20
Ambient temperature (operation)	-20 °C ... 75 °C
Ambient temperature (storage/transport)	-25 °C ... 80 °C
Altitude	≤ 5000 m (For restrictions, see the manufacturer's declaration for altitude operation)
Permissible humidity (operation)	10 % ... 95 % (non-condensing)
Permissible humidity (storage/transport)	5 % ... 95 % (non-condensing)

## Approvals

# SUBCON 9/M-SH - D-SUB bus connector



2761509

<https://www.phoenixcontact.com/us/products/2761509>

## ATEX

Identification	⊕ II 3 G Ex ec IIC T4 Gc
Certificate	PxCIF15ATEX2761499X
Note	Please follow the special installation instructions in the documentation!

## UKEX

Identification	⊕ II 3 G Ex ec IIC T4 Gc
Certificate	PxCIMA22UKEX2761499X

## Corrosive gas test

Identification	ISA-S71.04-1985 G3 Harsh Group A
----------------	----------------------------------

## Standards and regulations

Free from substances that could impair the application of coating	VDMA 24364:2018-05
---	--------------------

# SUBCON 9/M-SH - D-SUB bus connector

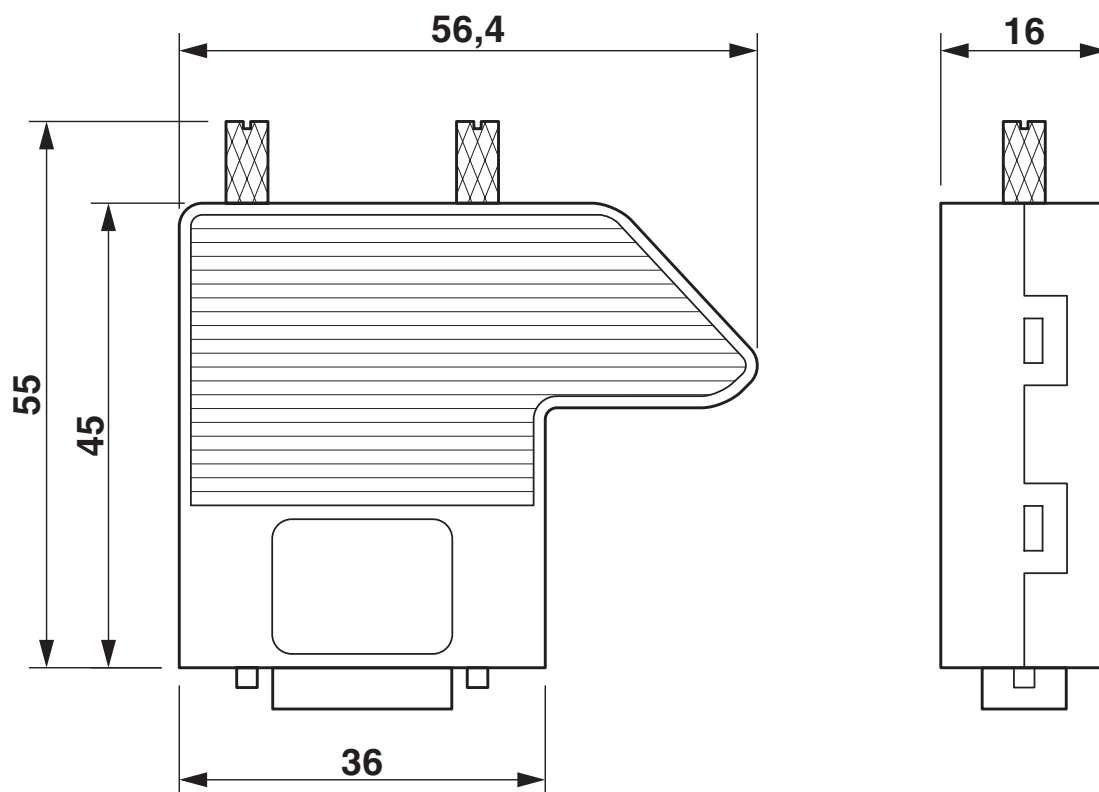
2761509

<https://www.phoenixcontact.com/us/products/2761509>



## Drawings

Dimensional drawing



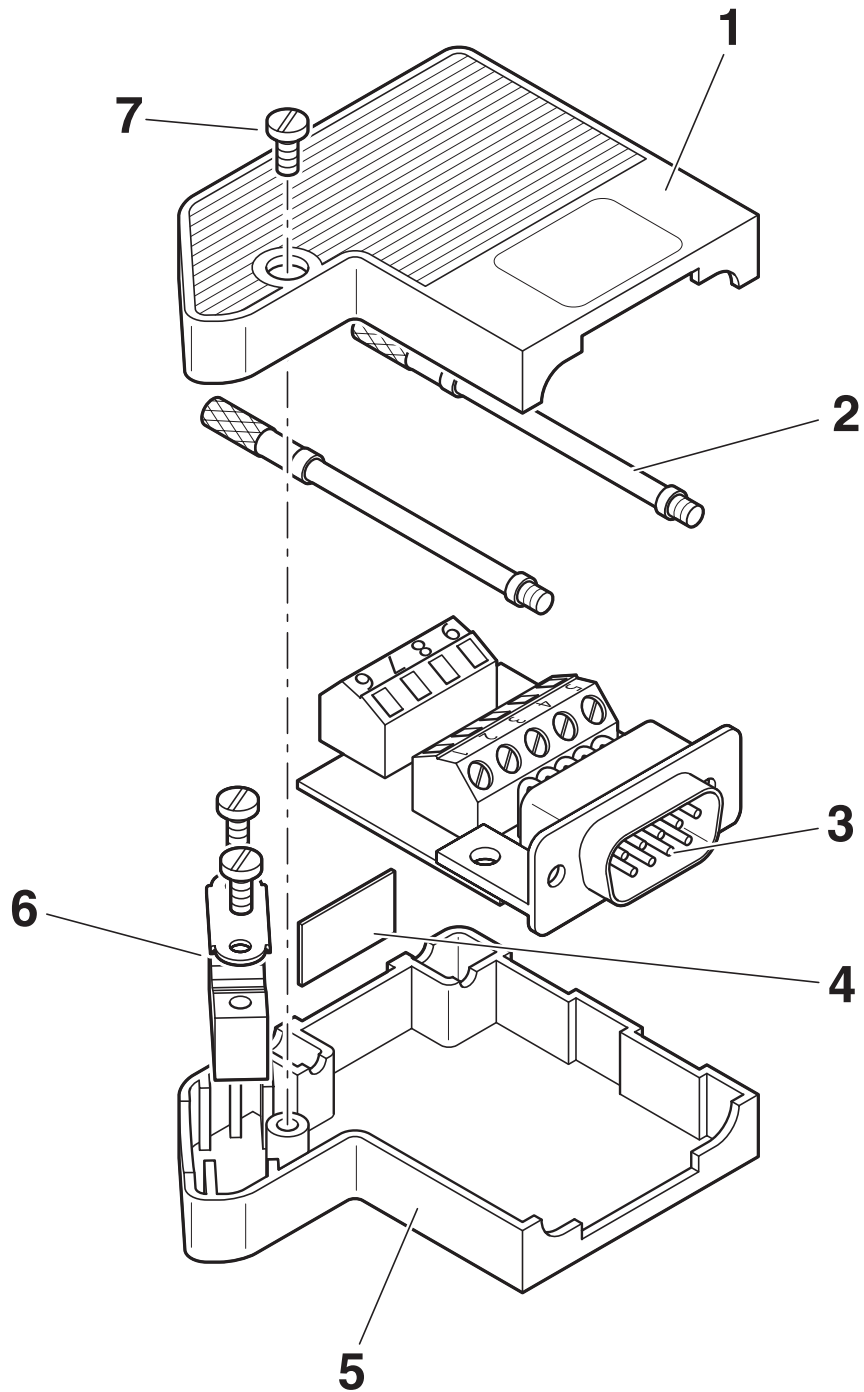
Dimensional drawing

# SUBCON 9/M-SH - D-SUB bus connector

2761509

<https://www.phoenixcontact.com/us/products/2761509>

Schematic diagram



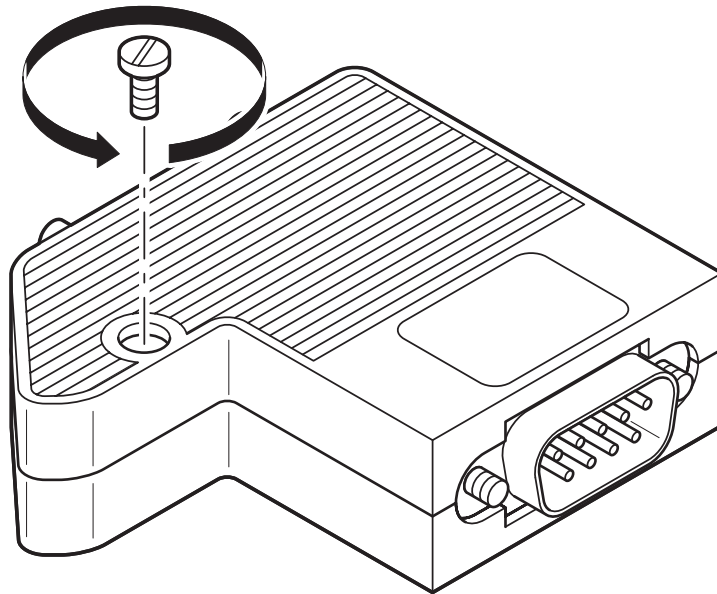
Function elements

# SUBCON 9/M-SH - D-SUB bus connector

2761509

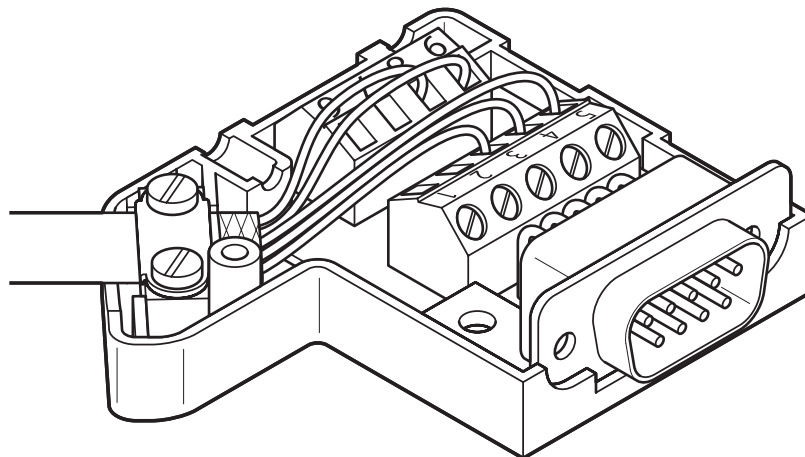
<https://www.phoenixcontact.com/us/products/2761509>

Schematic diagram



Opening the housing

Schematic diagram



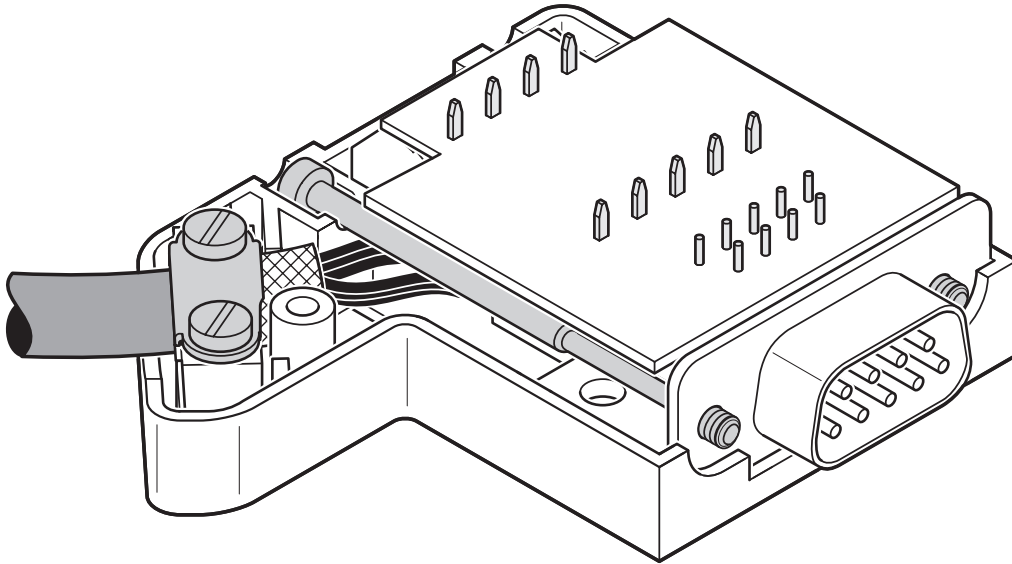
Left-hand side cable entry

# SUBCON 9/M-SH - D-SUB bus connector

2761509

<https://www.phoenixcontact.com/us/products/2761509>

Schematic diagram



Right-hand side cable entry

# SUBCON 9/M-SH - D-SUB bus connector



2761509

<https://www.phoenixcontact.com/us/products/2761509>

## Approvals

To download certificates, visit the product detail page: <https://www.phoenixcontact.com/us/products/2761509>



CSA

Approval ID: 2437602

# SUBCON 9/M-SH - D-SUB bus connector



2761509

<https://www.phoenixcontact.com/us/products/2761509>

## Classifications

### ECLASS

ECLASS-13.0	27440302
ECLASS-15.0	27440322

### ETIM

ETIM 10.0	EC001132
-----------	----------

### UNSPSC

UNSPSC 21.0	39121400
-------------	----------

# SUBCON 9/M-SH - D-SUB bus connector



2761509

<https://www.phoenixcontact.com/us/products/2761509>

## Environmental product compliance

### EU RoHS

Fulfills EU RoHS substance requirements	Yes, No exemptions
---	--------------------

### China RoHS

Environment friendly use period (EFUP)	EFUP-E
	No hazardous substances above the limits

### EU REACH SVHC

REACH candidate substance (CAS No.)	No substance above 0.1 wt%
-------------------------------------	----------------------------

### EF3.1 Climate Change

CO2e kg	19.86 kg CO2e
---------	---------------

Phoenix Contact 2026 © - all rights reserved  
<https://www.phoenixcontact.com>

Phoenix Contact USA  
586 Fulling Mill Road  
Middletown, PA 17057, United States  
(+717) 944-1300  
[info@phoenixcon.com](mailto:info@phoenixcon.com)