

FL COM SERVER RS232 - Interface converters



2744490

<https://www.phoenixcontact.com/us/products/2744490>

Please be informed that the data shown in this PDF document is generated from our online catalog. Please find the complete data in the user documentation. Our general terms of use for downloads are valid.



First generation FL COM SERVER RS-232, for converting a serial RS-232 interface to Ethernet incl. CD-ROM with drivers, additional software, and user documentation (PDF)

Commercial data

| | |
|--------------------------------------|--------------------------------|
| Item number | 2744490 |
| Packing unit | 1 pc |
| Note | Made to order (non-returnable) |
| Sales key | DN11 |
| Product key | DNC321 |
| GTIN | 4017918974343 |
| Weight per piece (including packing) | 192.4 g |
| Weight per piece (excluding packing) | 186.2 g |
| Customs tariff number | 85176200 |
| Country of origin | DE |

Technical data

Notes

Utilization restriction

| | |
|----------|---|
| EMC note | EMC: class A product, see manufacturer's declaration in the download area |
|----------|---|

Product properties

| | |
|--------------|--|
| Product type | Interface converter |
| MTBF | 666 Years (Telcordia standard, 25°C temperature, 21% operating cycle (5 days a week, 8 hours a day)) |
| | 179 Years (Telcordia standard, 40°C temperature, 34.25% operating cycle (5 days a week, 12 hours a day)) |

Functions

| | |
|--------------------|---|
| Supported browsers | Netscape Communicator versions 4.5 and up or Internet Explorer versions 4.01 and up |
|--------------------|---|

System properties

System requirements

| | |
|--------------------|---|
| Supported browsers | Netscape Communicator versions 4.5 and up or Internet Explorer versions 4.01 and up |
|--------------------|---|

Electrical properties

| | |
|---|---------------------------------------|
| Electrical isolation | VCC // Ethernet // V.24 (RS-232) |
| Maximum power dissipation for nominal condition | 2.4 W |
| Test voltage data interface/data interface | 1.5 kV _{rms} (50 Hz, 1 min.) |
| Test voltage data interface/power supply | 1.5 kV _{rms} (50 Hz, 1 min.) |
| | 1.5 kV _{rms} |

Supply

| | |
|-----------------------------|---|
| Supply voltage range | 19.2 V AC/DC ... 28.8 V AC/DC (via pluggable COMBICON screw terminal block) |
| | 22.8 V DC ... 25.2 V DC (as an alternative or redundant, via backplane bus contact and system current supply) |
| Typical current consumption | max. 100 mA |

Function

| | |
|----------------------------------|--|
| Management | Web-based management, SNMP or Factory Manager Software FL SWT |
| Status and diagnostic indicators | LEDs: UL (communication voltage), AC (data activity RS-232), FD (full duplex): 100 (100Base-T (X) operation), COL (collision) link and receive LED for Ethernet port |

Connection data

Supply

| | |
|-------------------|---------------------|
| Tightening torque | 0.56 Nm ... 0.79 Nm |
|-------------------|---------------------|

Interfaces

| | |
|------------|----------|
| Signal | Ethernet |
| | Modbus |
| Web server | yes |

Data: Ethernet interface, 10/100Base-T(X) in accordance with IEEE 802.3

| | |
|---------------------------|---|
| Serial transmission speed | 10/100 Mbps, auto negotiation |
| Connection method | RJ45 jack, shielded |
| Transmission length | 100 m (shielded twisted pair) |
| Protocols supported | TCP/IP, UDP, Modbus (TCP, RTU/ASCII), PPP |
| Auxiliary protocols | ARP, DHCP, BOOTP, SNMP, RIP, RARP, HTTP, TFTP, ICMP |

Data: V.24 (RS-232) interface in acc. with ITU-T V.28, EIA/TIA-232, DIN 66259-1

| | |
|-----------------------------|---|
| Transmission speed | 187500 bps |
| Serial transmission speed | 300, 600, 1200, 2400, 4800, 9600, 19200, 38400, 57600, 115200, 187500 Bit/s, can be set with web-based management |
| Connection method | D-SUB 9 plug |
| File format/coding | UART/NRZ: 7/8 Bit Data, 1/2 Bit Stopp, None/Even/Odd Parity |
| Data flow control/protocols | Software handshake, Xon/Xoff, or hardware handshake RTS/CTS // 3964 R compatible, Modbus RTU/ASCII |

Dimensions

| | |
|--------|----------|
| Width | 22.5 mm |
| Height | 99 mm |
| Depth | 118.6 mm |

Material specifications

| | |
|--------------------|------------------|
| Color (Housing) | green (RAL 6021) |
| Material (Housing) | PA V0 |

Environmental and real-life conditions

Ambient conditions

| | |
|---|--|
| Degree of protection | IP20 |
| Ambient temperature (operation) | 0 °C ... 55 °C |
| Ambient temperature (storage/transport) | -20 °C ... 70 °C |
| Altitude | ≤ 5000 m (For restrictions, see the manufacturer's declaration for altitude operation) |

Approvals

Corrosive gas test

| | |
|----------------|----------------------------------|
| Identification | ISA-S71.04-1985 G3 Harsh Group A |
|----------------|----------------------------------|

EMC data

| | |
|-------------------------------|---|
| Electromagnetic compatibility | Conformance with EMC Directive 2014/30/EU |
| Noise immunity | EN 61000-6-2:2005 |

FL COM SERVER RS232 - Interface converters



2744490

<https://www.phoenixcontact.com/us/products/2744490>

Noise emission

| | |
|-----------------------|------------|
| Standards/regulations | EN 50081-2 |
|-----------------------|------------|

Mounting

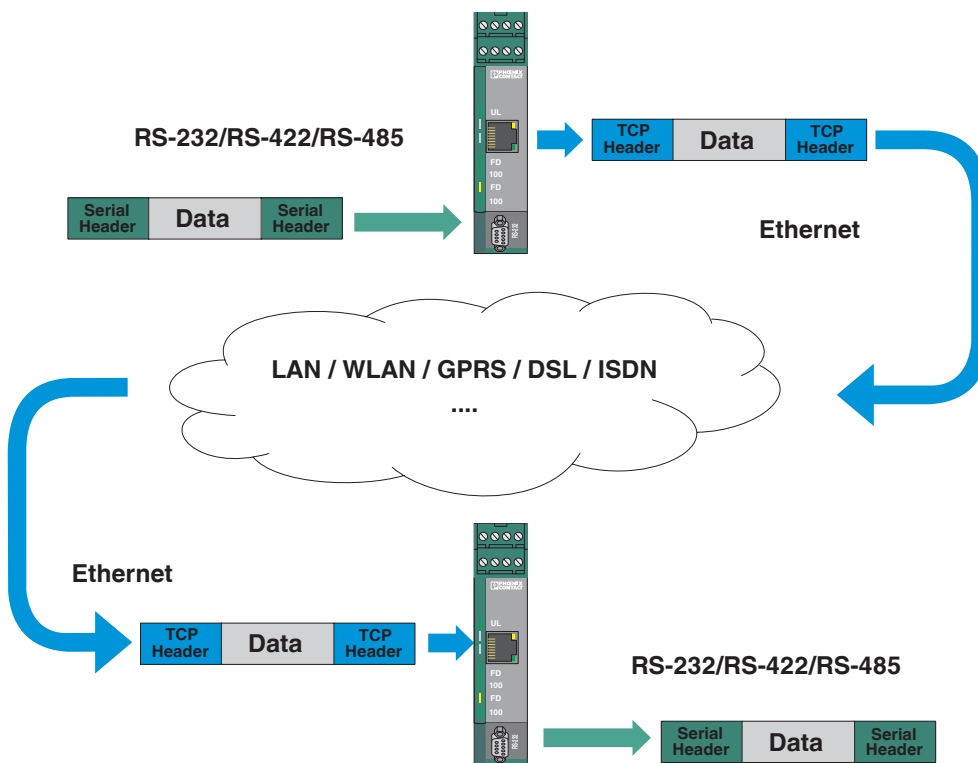
| | |
|---------------|-------------------|
| Mounting type | DIN rail mounting |
|---------------|-------------------|

2744490

<https://www.phoenixcontact.com/us/products/2744490>

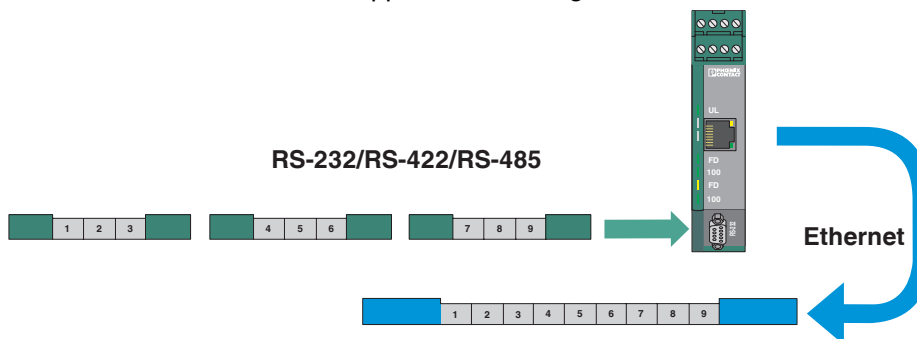
Drawings

Application drawing



Serial data transmission via Ethernet

Application drawing



Large value: "Idle Force Timeout Characters"

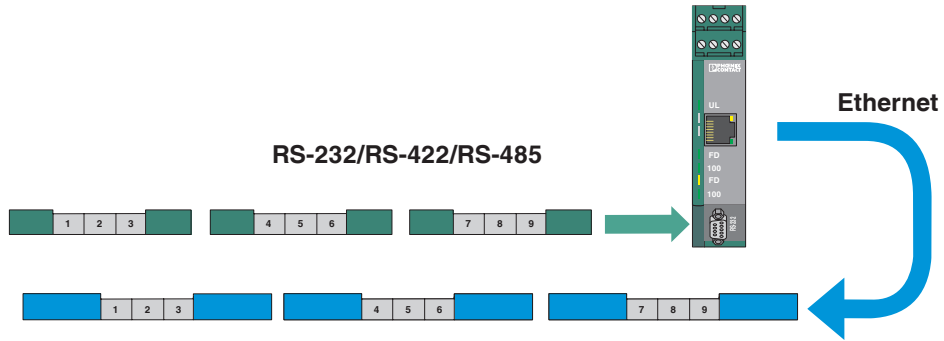
FL COM SERVER RS232 - Interface converters



2744490

<https://www.phoenixcontact.com/us/products/2744490>

Application drawing



Small value: "Idle Force Timeout Characters"

2744490

<https://www.phoenixcontact.com/us/products/2744490>

Environmental product compliance

China RoHS

| | |
|--|---|
| Environment friendly use period (EFUP) | EFUP-50 |
| | An article-related China RoHS declaration table can be found in the download area for the respective article under "Manufacturer declaration". For all articles with EFUP-E, no China RoHS declaration table issued and required. |

EU REACH SVHC

| | |
|-------------------------------------|----------------------------|
| REACH candidate substance (CAS No.) | No substance above 0.1 wt% |
|-------------------------------------|----------------------------|

Phoenix Contact 2026 © - all rights reserved
<https://www.phoenixcontact.com>

Phoenix Contact USA
586 Fulling Mill Road
Middletown, PA 17057, United States
(+717) 944-1300
info@phoenixcon.com