

PSM-ME-REP LON485-P - Repeater



2708041

<https://www.phoenixcontact.com/us/products/2708041>

Please be informed that the data shown in this PDF document is generated from our online catalog. Please find the complete data in the user documentation. Our general terms of use for downloads are valid.



Repeater, for potential isolation and increasing the range in RS-485 2-wire LON bus systems, 3-way isolation, rail-mountable

Your advantages

- Integrated surge protection with transient discharge to the DIN rail
- Space-saving slim 22.5 mm device
- High-quality 3-way isolation between all interfaces
- Integrated, connectable termination resistors
- All connections can be plugged in using a COMBICON screw terminal block



Commercial data

Item number	2708041
Packing unit	1 pc
Minimum order quantity	1 pc
Sales key	DN11
Product key	DNC111
GTIN	4017918907570
Weight per piece (including packing)	200.9 g
Weight per piece (excluding packing)	188.8 g
Customs tariff number	85176200
Country of origin	DE

Technical data

Notes

Note on application

Note on application	Only for industrial use
---------------------	-------------------------

Utilization restriction

CCCex note	Use in potentially explosive areas is not permitted in China.
------------	---

Product properties

Product type	Interface converter
Application	RS-485
MTTF	1808 Years (SN 29500 standard, temperature 25°C, operating cycle 21%)
	796 Years (SN 29500 standard, temperature 40°C, operating cycle 34.25%)
	334 Years (SN 29500 standard, temperature 40°C, operating cycle 100%)

Insulation characteristics

Pollution degree	2
------------------	---

Electrical properties

Electrical isolation	VCC // RS-485 (A) // RS-485 (B)
Maximum power dissipation for nominal condition	2.16 W
Test voltage data interface/power supply	1.5 kV _{rms} (50 Hz, 1 min.)

Supply

Supply voltage range	19.2 V AC/DC ... 28.8 V AC/DC
Nominal supply voltage	24 V AC/DC ±20 %
Typical current consumption	25 mA (24 V DC)

Connection data

Supply

Single conductor/terminal point, rigid	0.2 mm ² ... 2.5 mm ²
Single-wire/terminal point, flexible	0.2 mm ² ... 2.5 mm ²
Stripping length	7.00 mm
Tightening torque	0.56 Nm ... 0.79 Nm

Interfaces

Bit distortion	< 1.5 % (applies to device: Distortions caused by system-specific cables are not accounted for)
Signal	LON
Transmission channels	2 (1/1), RxD, TxD, full duplex

Data: RS-485 interface, in acc. with EIA/TIA-485, DIN 66259-4/RS-485 2-wire

PSM-ME-REP LON485-P - Repeater



2708041

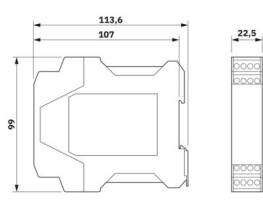
<https://www.phoenixcontact.com/us/products/2708041>

Serial transmission speed	39.1/ 78.1/ 500/ 625/ 1000/ 1250/ 2000 kbps
Connection method	Pluggable screw connection
Tightening torque	0.5 Nm ... 0.6 Nm (Shield clamp)
Transmission length	≤ 1200 m (depends on transmission speed, bus system and cable type)
Termination resistor	120 Ω
Single conductor/terminal point, rigid	0.2 mm ² ... 2.5 mm ²
Single-wire/terminal point, flexible	0.2 mm ² ... 2.5 mm ²
Max. AWG conductor cross-section, flexible	14
Min. AWG conductor cross-section, flexible	24
Stripping length	7 mm
Transmission medium	2-wire twisted pair, shielded
File format/coding	Manchester, slip-tolerant
Data direction switching	Automatic control

Data: RS-485 interface, in acc. with EIA/TIA-485, DIN 66259-4/RS-485 2-wire

Serial transmission speed	39.1/ 78.1/ 500/ 625/ 1000/ 1250/ 2000 kbps
Connection method	Pluggable screw connection
Transmission length	≤ 1200 m (depends on transmission speed, bus system and cable type)
Termination resistor	120 Ω
Single-wire/terminal point, flexible	0.2 mm ² ... 2.5 mm ²
Max. AWG conductor cross-section, flexible	14
Min. AWG conductor cross-section, flexible	24
Transmission medium	2-wire twisted pair, shielded
File format/coding	Manchester, slip-tolerant
Data direction switching	Automatic control

Dimensions

Dimensional drawing	
Width	22.5 mm
Height	99 mm
Depth	114.5 mm

Material specifications

Color (Housing)	green (RAL 6021)
Material (Housing)	PA

Environmental and real-life conditions

PSM-ME-REP LON485-P - Repeater



2708041

<https://www.phoenixcontact.com/us/products/2708041>

Ambient conditions

Degree of protection	IP20
Ambient temperature (operation)	-40 °C ... 70 °C
Ambient temperature (storage/transport)	-40 °C ... 85 °C
Altitude	≤ 5000 m (For restrictions, see the manufacturer's declaration for altitude operation)
Permissible humidity (operation)	10 % ... 95 % (non-condensing)

Approvals

CE

Certificate	CE-compliant
-------------	--------------

ATEX

Identification	⊕ II 3 G Ex ec IIC T4 Gc
Certificate	IBExU16ATEXB004 X
Note	Please follow the special installation instructions in the documentation!

IECEX

Identification	Ex ec IIC T4 Gc
Certificate	IECEX IBE 15.0034X

UL, USA/Canada

Identification	508 Recognized
	Class I, Zone 2, AEx nA IIC T4
	Ex nA IIC T4 Gc X
	Class I, Div. 2, Groups A, B, C, D T4

Corrosive gas test

Identification	ISA-S71.04-1985 G3 Harsh Group A
----------------	----------------------------------

EMC data

Electromagnetic compatibility	Conformance with EMC Directive 2014/30/EU
Noise immunity	EN 61000-6-2:2005

Noise emission

Standards/regulations	EN 61000-6-4
-----------------------	--------------

Electrostatic discharge

Standards/regulations	EN 61000-4-2
-----------------------	--------------

Electrostatic discharge

Contact discharge	± 6 kV (Test Level 3)
Discharge in air	± 8 kV (Test Level 3)
Comments	Criterion B

Electromagnetic HF field

PSM-ME-REP LON485-P - Repeater



2708041

<https://www.phoenixcontact.com/us/products/2708041>

Standards/regulations	EN 61000-4-3
-----------------------	--------------

Electromagnetic HF field

Frequency range	80 MHz ... 3 GHz (Test Level 3)
Field intensity	10 V/m
Comments	Criterion A

Fast transients (burst)

Standards/regulations	EN 61000-4-4
-----------------------	--------------

Fast transients (burst)

Input	± 4 kV (Test Level 3)
Signal	± 2 kV (Test Level 3)
Comments	Criterion B

Surge current load (surge)

Standards/regulations	EN 61000-4-5
-----------------------	--------------

Surge current load (surge)

Input	± 0.5 kV
Signal	± 2 kV
Comments	Criterion B

Conducted interference

Standards/regulations	EN 61000-4-6
-----------------------	--------------

Conducted interference

Frequency range	0.15 MHz ... 80 MHz
Comments	Criterion A
Voltage	10 V

Emitted interference

Standards/regulations	EN 55011
Comments	Class A, industrial applications

Criteria

Criterion A	Normal operating behavior within the specified limits.
Criterion B	Temporary impairment to operational behavior that is corrected by the device itself.

Mounting

Mounting type	DIN rail mounting
---------------	-------------------

PSM-ME-REP LON485-P - Repeater

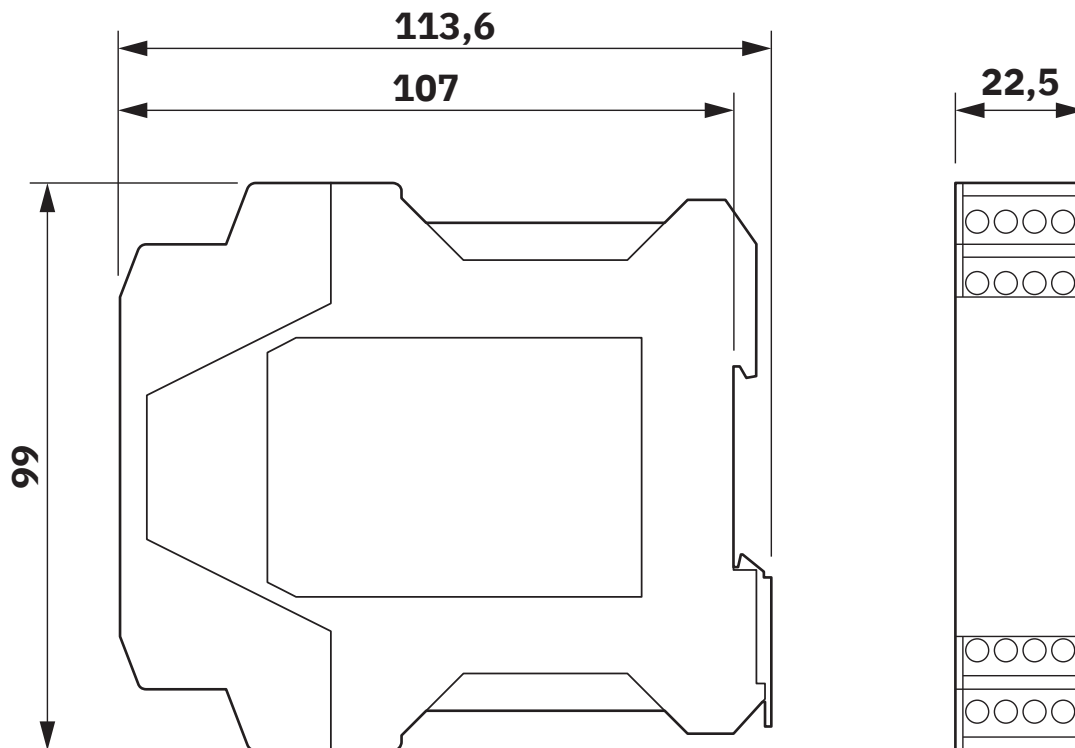
2708041

<https://www.phoenixcontact.com/us/products/2708041>



Drawings

Dimensional drawing



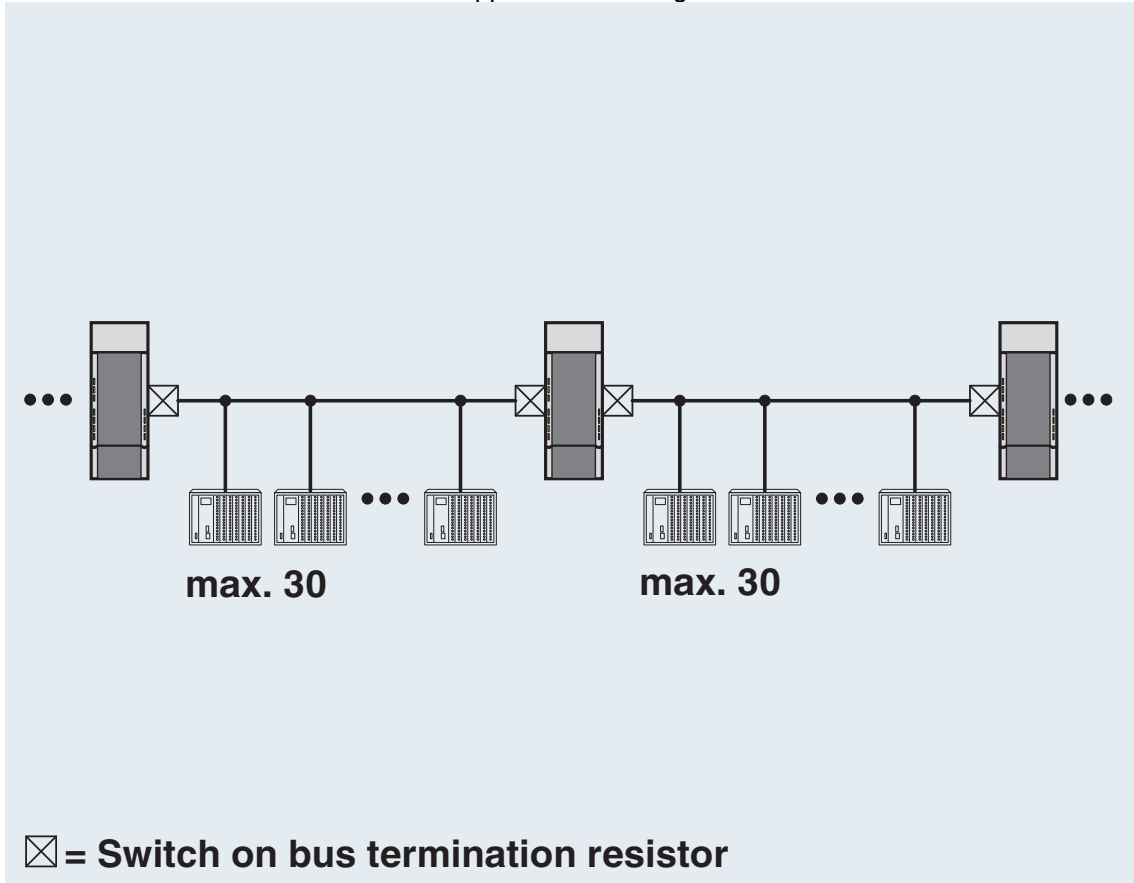
Slim design

PSM-ME-REP LON485-P - Repeater

2708041

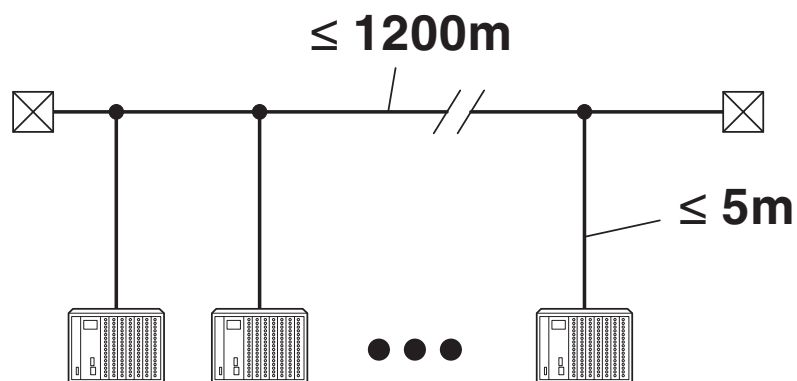
<https://www.phoenixcontact.com/us/products/2708041>

Application drawing



Line structure

Application drawing



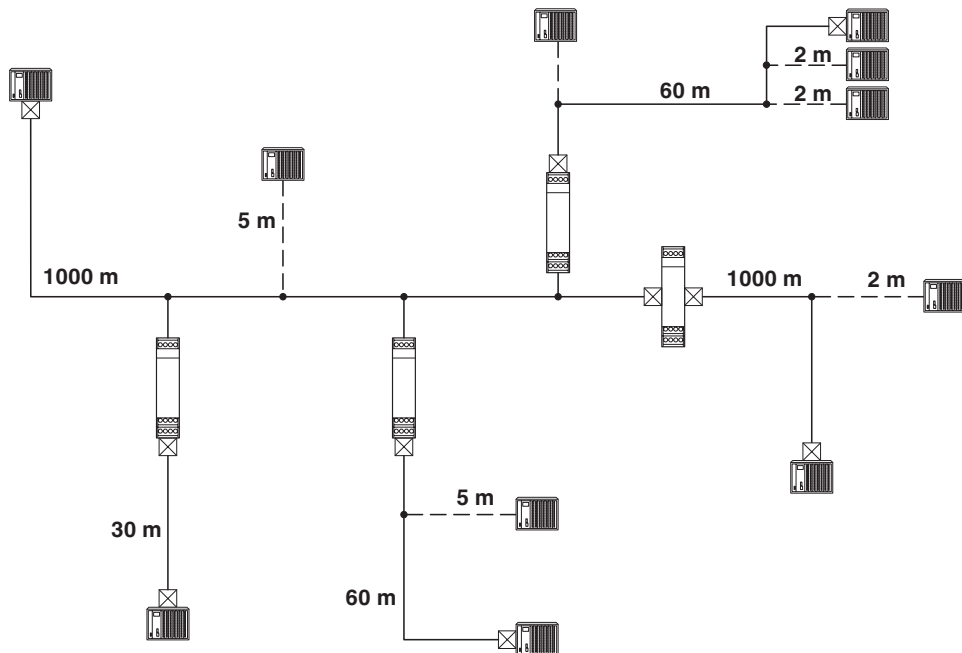
Cable lengths according to the RS-485 standard

PSM-ME-REP LON485-P - Repeater

2708041

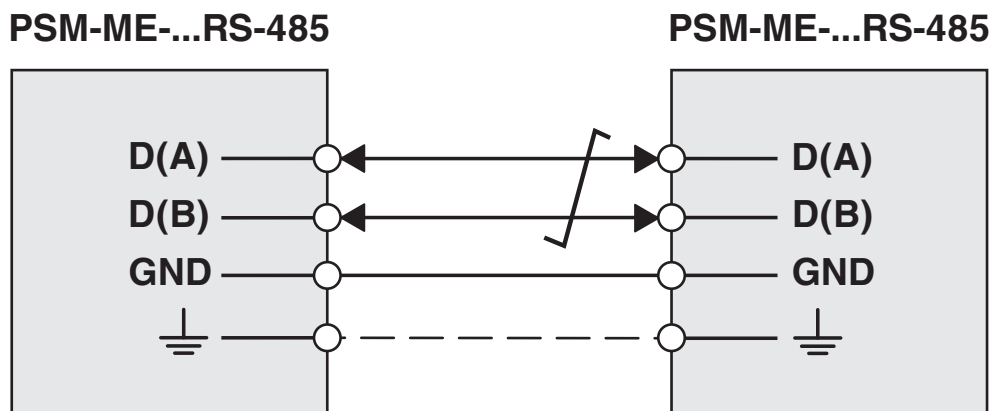
<https://www.phoenixcontact.com/us/products/2708041>

Application drawing



Cable lengths

Connection diagram



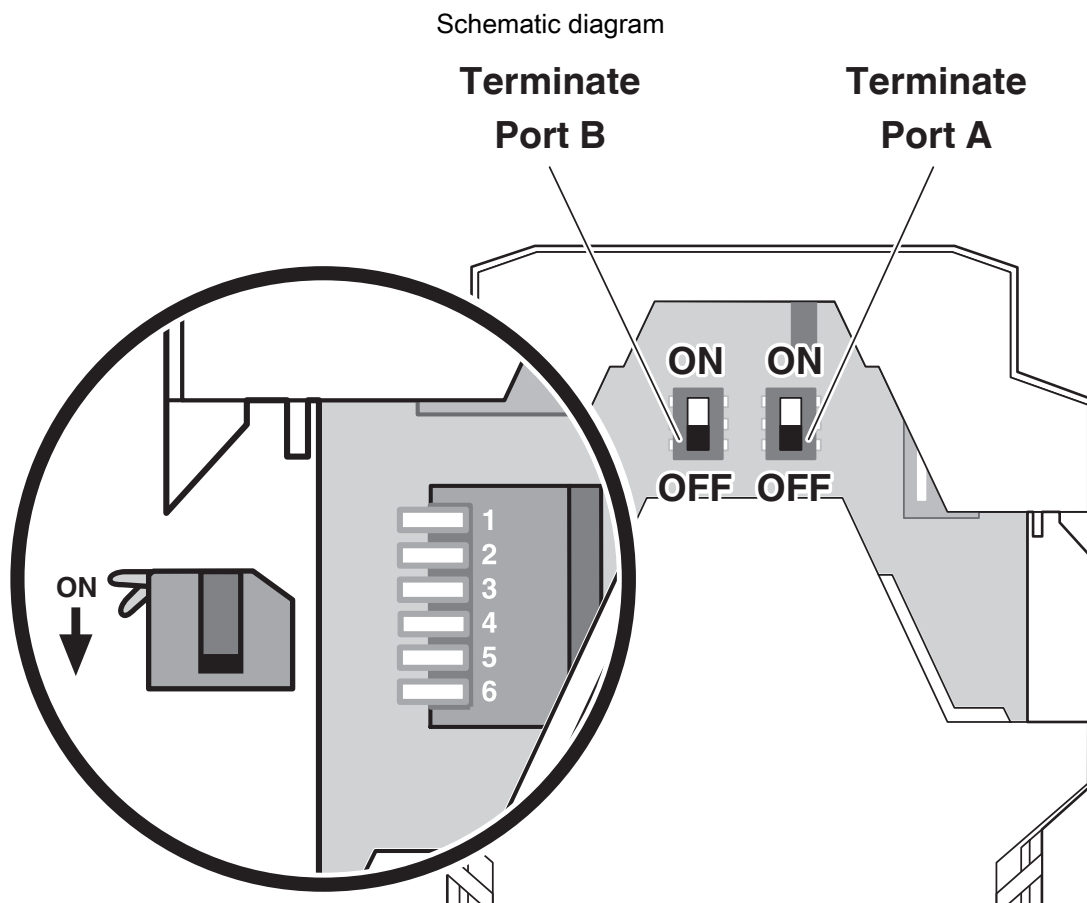
RS-485 interface

PSM-ME-REP LON485-P - Repeater

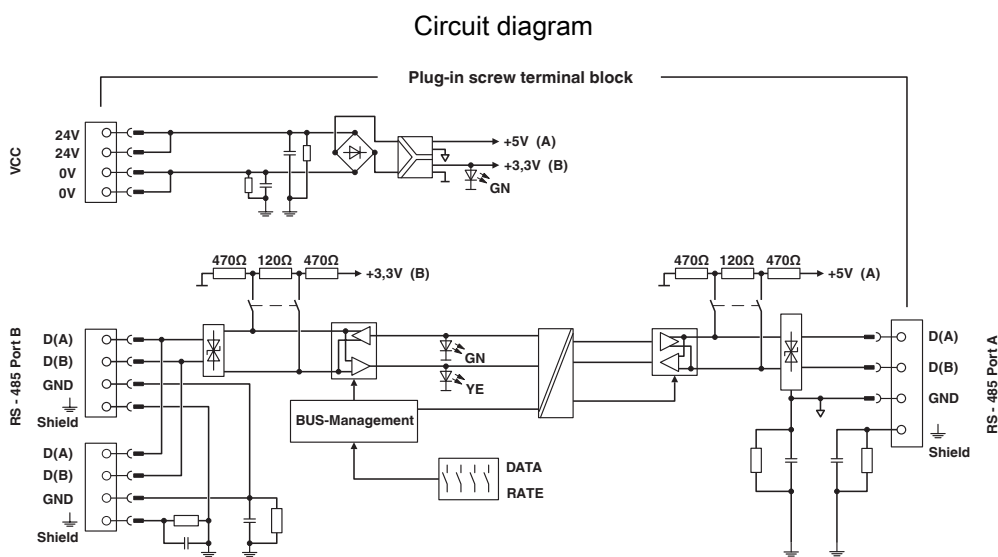


2708041

<https://www.phoenixcontact.com/us/products/2708041>



DIP switches



Basic circuit diagram

2708041

<https://www.phoenixcontact.com/us/products/2708041>

Approvals

To download certificates, visit the product detail page: <https://www.phoenixcontact.com/us/products/2708041>



cUL Recognized
Approval ID: E238705



UL Recognized
Approval ID: E238705



cUL Recognized
Approval ID: E199827

	Nominal voltage U_N	Nominal current I_N	Cross section AWG	Cross section mm^2
keine				
	24 V	0.075 A	-	-



cUL Listed
Approval ID: E199827



UL Listed
Approval ID: E199827

PSM-ME-REP LON485-P - Repeater



2708041

<https://www.phoenixcontact.com/us/products/2708041>

Classifications

ECLASS

ECLASS-13.0	27242208
ECLASS-15.0	27242208

UNSPSC

UNSPSC 21.0	43222600
-------------	----------

2708041

<https://www.phoenixcontact.com/us/products/2708041>

Environmental product compliance

EU RoHS

Fulfills EU RoHS substance requirements	Yes
Exemption	7(a), 7(c)-I

China RoHS

Environment friendly use period (EFUP)	EFUP-50
	An article-related China RoHS declaration table can be found in the download area for the respective article under "Manufacturer declaration". For all articles with EFUP-E, no China RoHS declaration table issued and required.

EU REACH SVHC

REACH candidate substance (CAS No.)	Lead(CAS: 7439-92-1)
SCIP	1a6ace2e-f988-42c7-9e94-a0e16f23b5e2

Phoenix Contact 2026 © - all rights reserved

<https://www.phoenixcontact.com>

Phoenix Contact USA
586 Fulling Mill Road
Middletown, PA 17057, United States
(+717) 944-1300
info@phoenixcon.com