

TC CLOUD CLIENT 1002-4G - Router



2702886

<https://www.phoenixcontact.com/us/products/2702886>

Please be informed that the data shown in this PDF document is generated from our online catalog. Please find the complete data in the user documentation. Our general terms of use for downloads are valid.



Industrial VPN gateway for mGuard Secure Cloud, IPsec communication via 4G (LTE), European version, 2-port switch, 1 digital input, 1 digital output

Product description

The TC CLOUD CLIENT 4G product range offers cost-effective field devices for secure remote maintenance scenarios via the 4G LTE mobile network. The devices are optimized for use with the mGuard Secure Cloud. For this reason, all CLOUD CLIENT devices support Virtual Private Networks (VPNs) as standard. A scope of functions optimized for the mGuard Secure Cloud enables quick startup of the devices in the field.

Your advantages

- Secure communication via IPsec
- Configuration via web-based management or microSD card
- Cloud-based VPN infrastructure from Phoenix Contact
- Turnkey VPN infrastructure for operators, machine builders, and systems manufacturers
- Secure and reliable, thanks to industry-proven mGuard security technology
- Support for cellular iOS-based devices such as Apple iPads and iPhones

Commercial data

Item number	2702886
Packing unit	1 pc
Note	Made to order (non-returnable)
Sales key	DN25
Product key	DNC422
GTIN	4055626378619
Weight per piece (including packing)	324.6 g
Weight per piece (excluding packing)	232.8 g
Customs tariff number	85176200
Country of origin	DE

Technical data

Product properties

Product type	Remote maintenance gateway
MTTF	383 Years (SN 29500 standard, temperature 25°C, operating cycle 21%)
	184 Years (SN 29500 standard, temperature 40°C, operating cycle 34.25%)
	78 Years (SN 29500 standard, temperature 40°C, operating cycle 100%)

Security functions

1:1 Network Address Translation (NAT) in the VPN	supported
Number of VPN tunnels	1
Authentication	X.509v3, PSK
Data integrity	MD5, SHA-1
Internet Protocol Security (IPsec) mode	ESP tunnel
Encryption methods	3DES, AES-128, -192, -256

Electrical properties

Electrical isolation	VCC // LTE // Ethernet // PE
Mains type	Cellular communication

Supply

Supply voltage range	10 V DC ... 30 V DC (SELV, via pluggable Push-in terminal block)
Typical current consumption	< 200 mA (24 V DC)
Max. current consumption	1.7 A

Function

Management	Web-based management, SNMP
------------	----------------------------

Input data

Digital

Description of the input	Digital input
Number of inputs	1
Voltage input signal	10 V DC ... 30 V DC
Switching level "1" signal	10 V DC ... 30 V DC

Output data

Signal

Output name	Digital output
Number of outputs	1
Voltage output signal	10 V DC ... 30 V DC (depending on the operating voltage)
Current output signal	≤ 50 mA (Not short-circuit proof)

2702886

<https://www.phoenixcontact.com/us/products/2702886>

Connection data

Supply

Conductor cross-section, flexible	0.14 mm ² ... 1.50 mm ²
Conductor cross-section, rigid	0.14 mm ² ... 1.50 mm ²
Conductor cross-section AWG	26 ... 16

Interfaces

Signal	Ethernet
Web server	yes

Data: Ethernet interface, 10/100Base-T(X) in accordance with IEEE 802.3

Serial transmission speed	10/100 Mbps, auto negotiation
Connection method	RJ45 jack, shielded
No. of channels	2
Transmission length	100 m (shielded twisted pair)
Protocols supported	TCP/IP, UDP/IP, FTP, HTTP
Auxiliary protocols	ARP, DHCP, PING (ICMP), SNMP V1, SMTP

Wireless

Interface description	GSM / GPRS / EDGE / UMTS / HSPA / LTE (FDD)
Frequency range	800 MHz (LTE B20)
	850 MHz (LTE B5)
	900 MHz (LTE B8)
	1700 MHz (LTE B4)
	1800 MHz (LTE B3)
	1900 MHz (LTE B2)
	2100 MHz (LTE B1)
	2600 MHz (LTE B7)
	850 MHz (UMTS/HSPA B5)
	900 MHz (UMTS/HSPA B8)
	1900 MHz (UMTS/HSPA B2)
	2100 MHz (UMTS/HSPA B1)
	850 MHz (2 W (EGSM))
	900 MHz (2 W (EGSM))
1800 MHz (1 W (EGSM))	
1900 MHz (1 W (EGSM))	
Data rate	≤ 150 Mbps (LTE, DL)
	≤ 50 Mbps (LTE, UL)
Antenna	50 Ω impedance SMA antenna socket
Antenna connection method	SMA (female)
SIM Interface	1.8 volt, 3 volt
GPRS	Class 12, Class B
	CS1 ... CS4
EDGE	Multislot Class 10

2702886

<https://www.phoenixcontact.com/us/products/2702886>

UMTS	HSPA 3GPP R9
LTE	CAT4
Country support	Europe

Dimensions

Width	45 mm
Height	130 mm
Depth	126 mm

Material specifications

Color (Upper housing part)	gray (RAL 7042)
Material (Housing)	Plastic

Mechanical tests

Vibration resistance in accordance with EN 60068-2-6/IEC 60068-2-6	Vibration (operation): 5g, 10...150 Hz, 2.5 h, in XYZ direction
Shock in accordance with EN 60068-2-27/IEC 60068-2-27	Shock (operation): 15g

Environmental and real-life conditions

Ambient conditions

Degree of protection	IP20
Ambient temperature (operation)	0 °C ... 60 °C
Ambient temperature (storage/transport)	0 °C ... 60 °C
Permissible humidity (operation)	10 % ... 95 % (non-condensing)
Permissible humidity (storage/transport)	10 % ... 95 % (non-condensing)

Approvals

CE

Certificate	CE-compliant
-------------	--------------

Corrosive gas test

Identification	ISA-S71.04-1985 G3 Harsh Group A
----------------	----------------------------------

EMC data

Electromagnetic compatibility	Conformance with RED Directive 2014/53/EU
Noise immunity	EN 61000-6-2

Electrostatic discharge

Standards/regulations	EN 61000-4-2
-----------------------	--------------

Electrostatic discharge

Contact discharge	± 6 kV (Test Level 3)
Discharge in air	± 8 kV (Test Level 3)
Comments	Criterion B

Electromagnetic HF field

TC CLOUD CLIENT 1002-4G - Router



2702886

<https://www.phoenixcontact.com/us/products/2702886>

Standards/regulations	EN 61000-4-3
-----------------------	--------------

Electromagnetic HF field

Frequency range	80 MHz ... 3 GHz (Test Level 3)
Field intensity	10 V/m
Comments	Criterion A

Fast transients (burst)

Standards/regulations	EN 61000-4-4
-----------------------	--------------

Fast transients (burst)

Input	± 2 kV (Test Level 3)
Signal	± 2 kV (Ethernet)
Comments	Criterion B

Surge current load (surge)

Standards/regulations	EN 61000-4-5
-----------------------	--------------

Surge current load (surge)

Input	± 0.5 kV (symmetrical) ± 1 kV (asymmetrical)
Signal	± 1 kV (Data line, asymmetrical)
Comments	Criterion B

Conducted interference

Standards/regulations	EN 61000-4-6
-----------------------	--------------

Conducted interference

Frequency range	0.15 MHz ... 80 MHz
Comments	Criterion A
Voltage	10 V

Emitted interference

Radio interference voltage in acc. with EN 55011	Class B, area of application: Industry and residential
Emitted radio interference in acc. with EN 55011	Class B, area of application: Industry and residential

Criteria

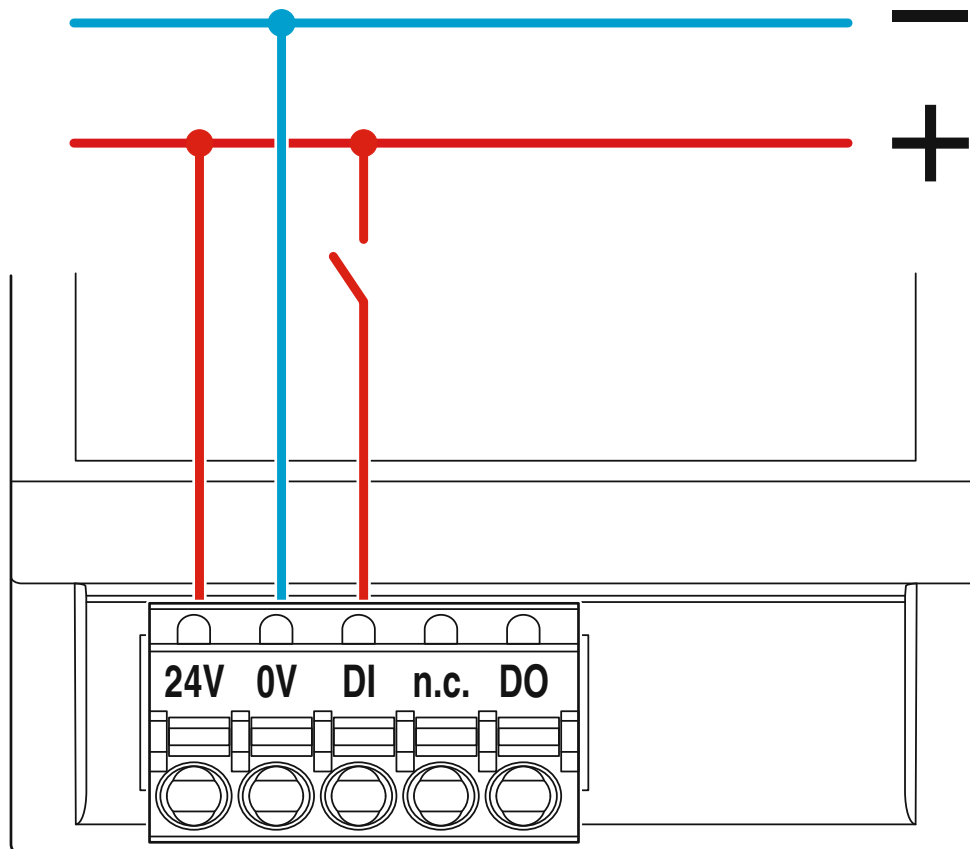
Criterion A	Normal operating behavior within the specified limits.
Criterion B	Temporary impairment to operational behavior that is corrected by the device itself.

Mounting

Mounting type	DIN rail mounting
---------------	-------------------

Drawings

Connection diagram



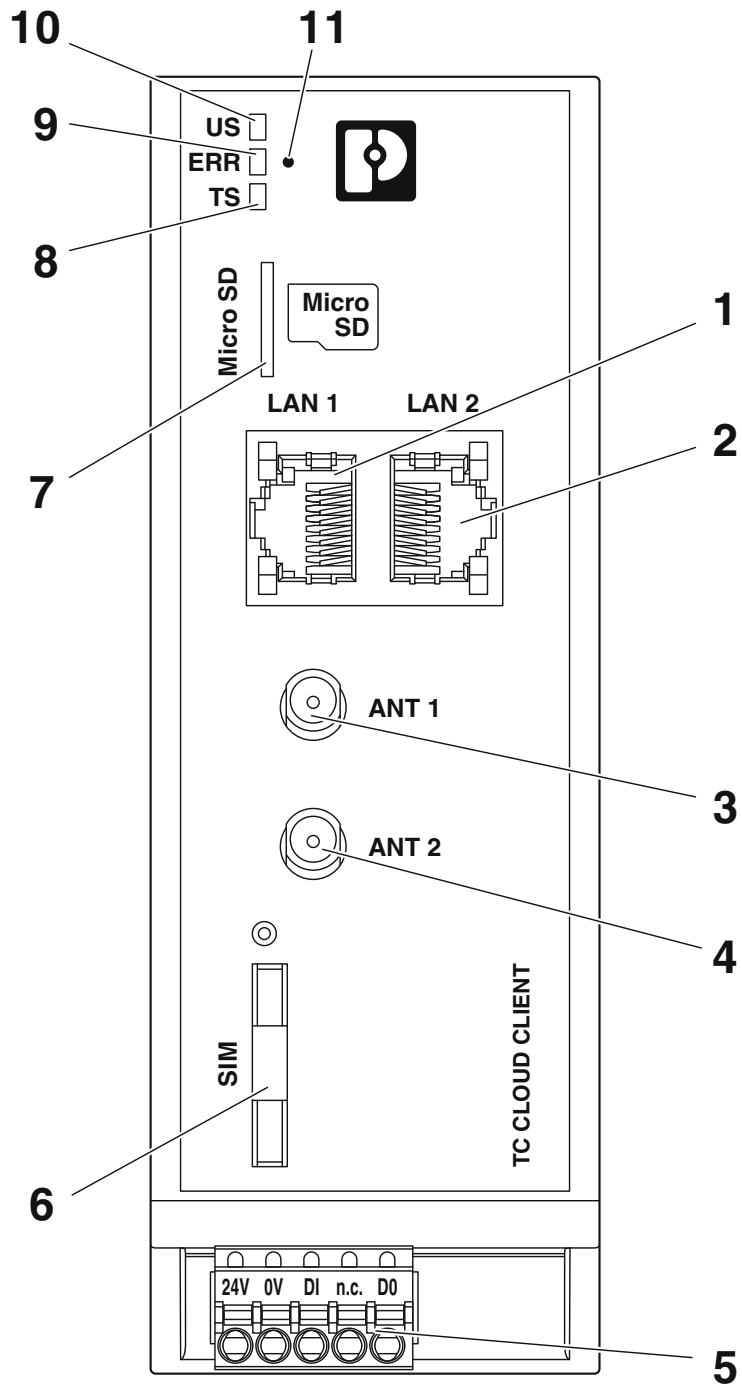
Switching input and switching output

TC CLOUD CLIENT 1002-4G - Router

2702886

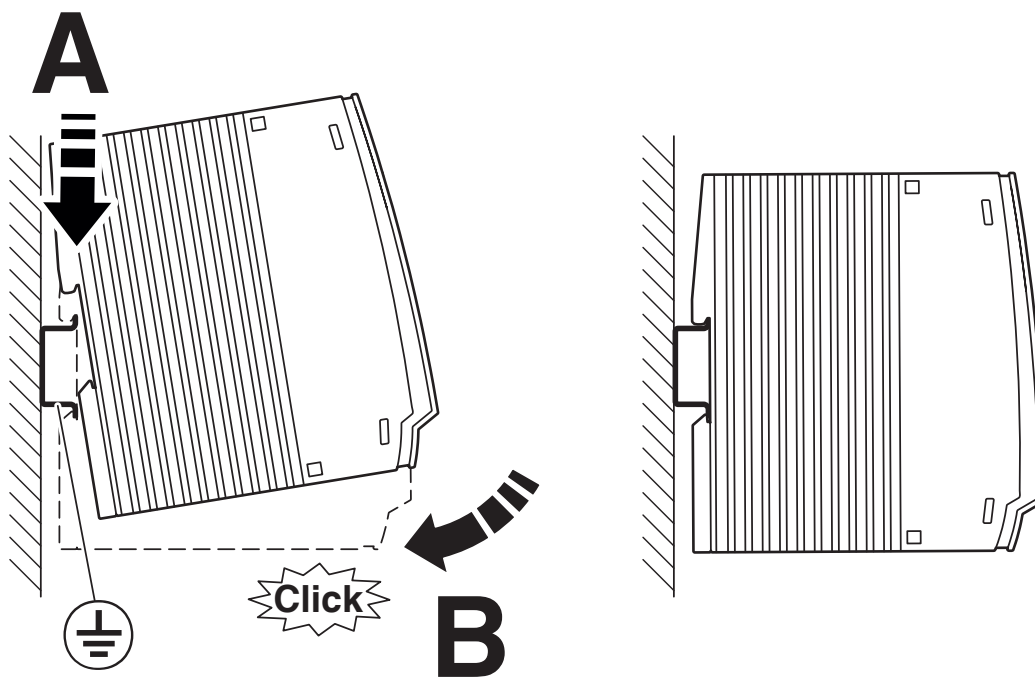
<https://www.phoenixcontact.com/us/products/2702886>

Schematic diagram



Front view

Schematic diagram



DIN rail mounting

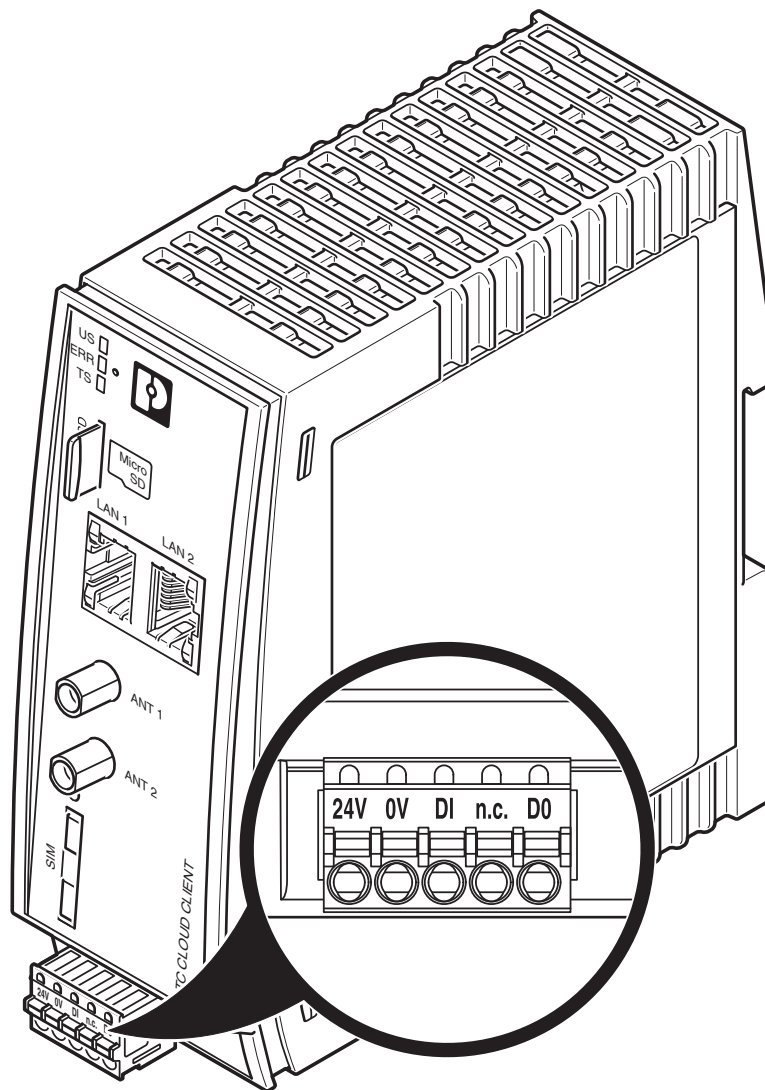
TC CLOUD CLIENT 1002-4G - Router

2702886

<https://www.phoenixcontact.com/us/products/2702886>



Schematic diagram



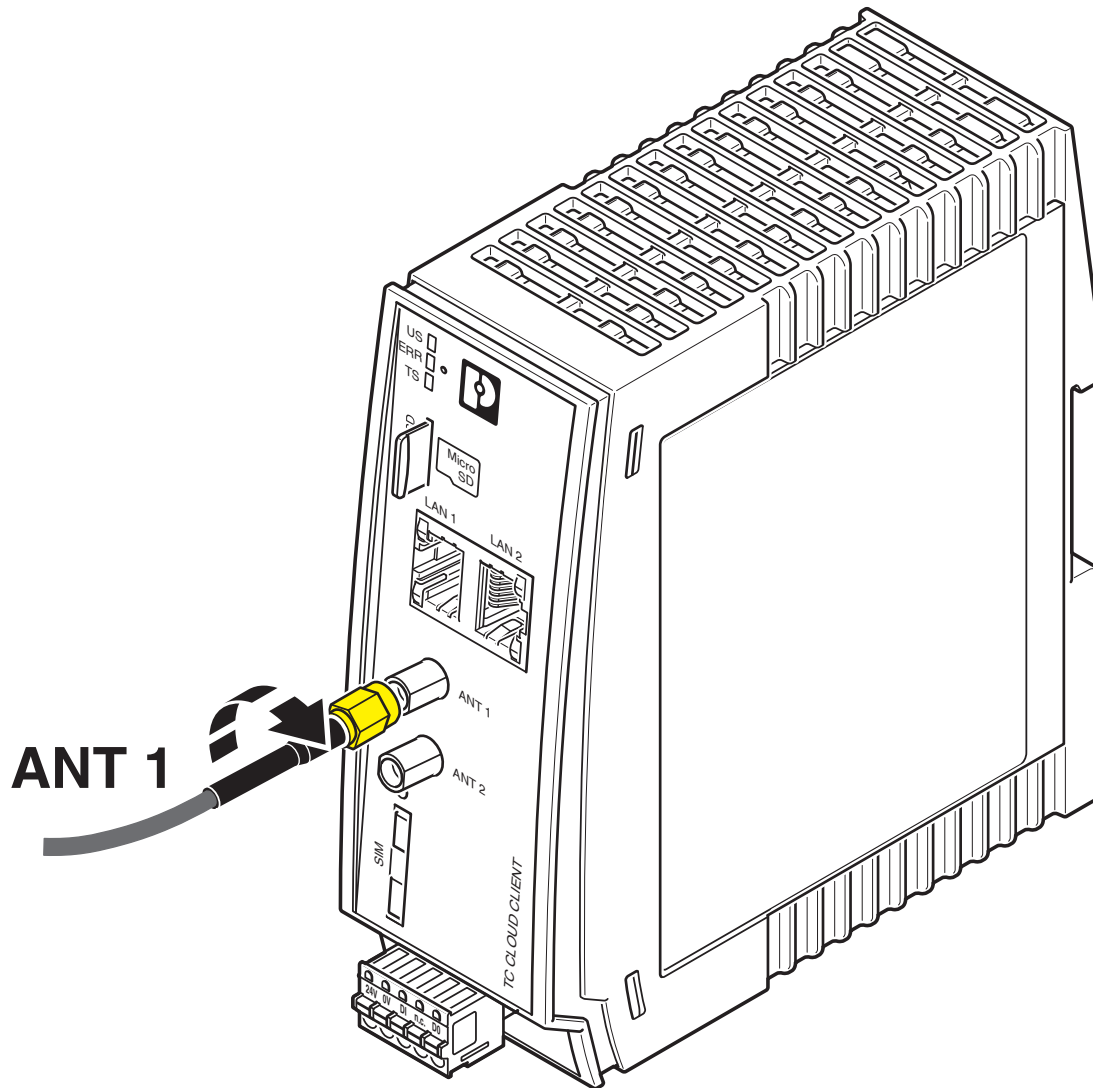
Connecting the supply voltage

TC CLOUD CLIENT 1002-4G - Router

2702886

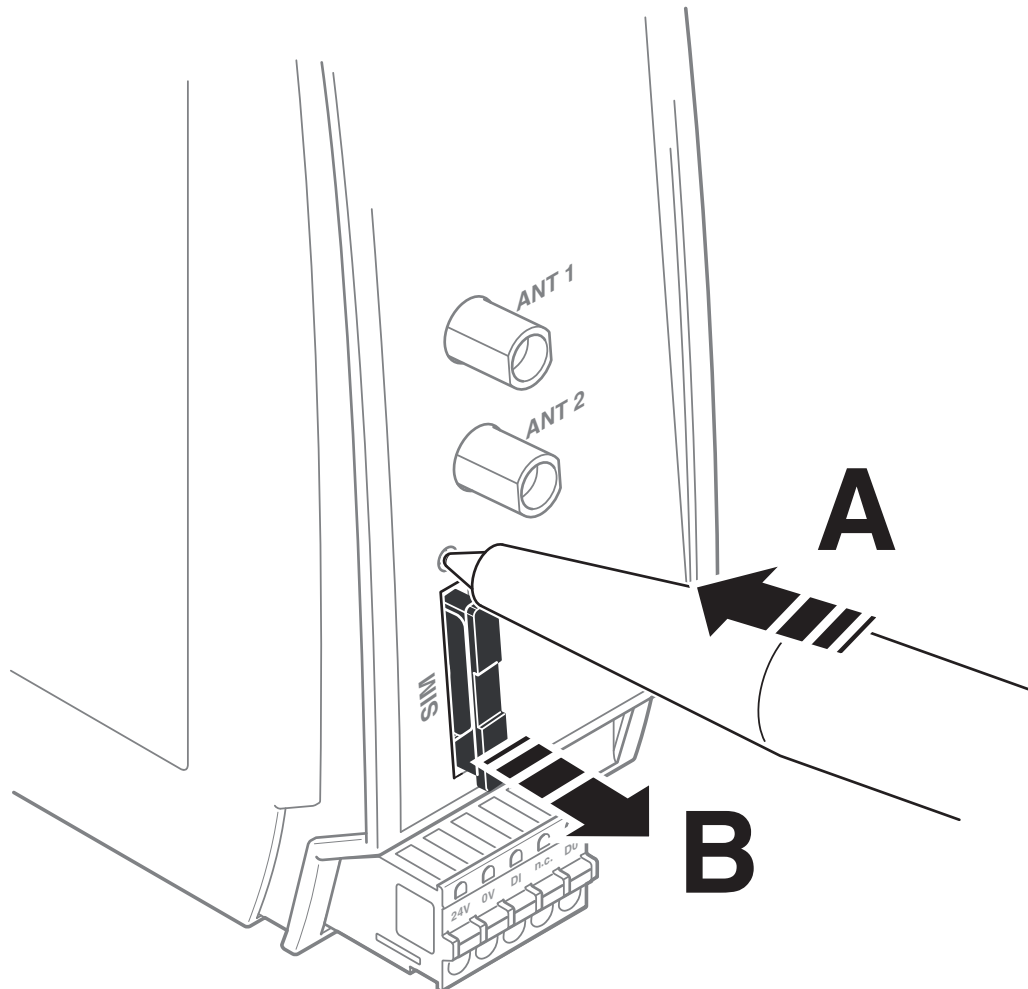
<https://www.phoenixcontact.com/us/products/2702886>

Schematic diagram



Connect the antenna

Schematic diagram

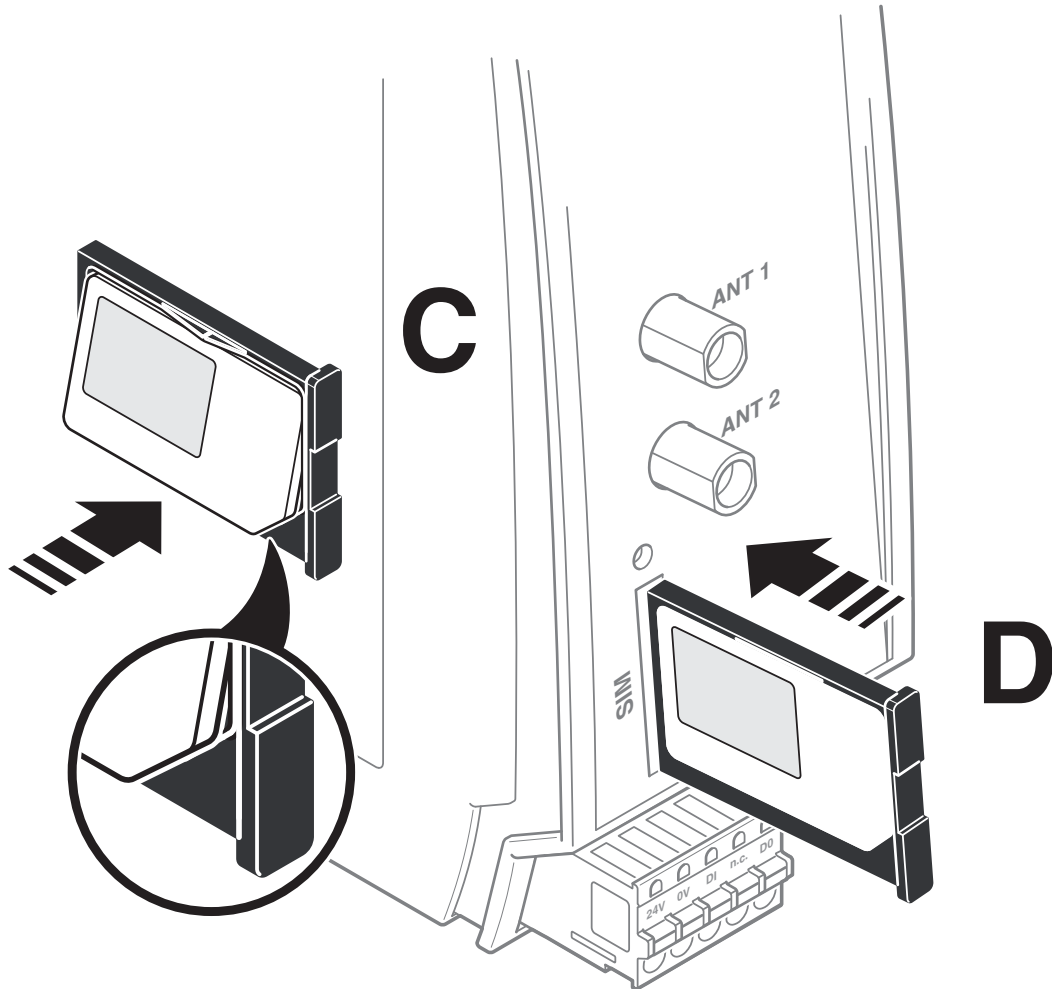


Remove SIM card holder

2702886

<https://www.phoenixcontact.com/us/products/2702886>

Schematic diagram



Insert the SIM card

TC CLOUD CLIENT 1002-4G - Router



2702886

<https://www.phoenixcontact.com/us/products/2702886>

Classifications

UNSPSC

UNSPSC 21.0	43222600
-------------	----------

2702886

<https://www.phoenixcontact.com/us/products/2702886>

Environmental product compliance

China RoHS

Environment friendly use period (EFUP)	EFUP-50 An article-related China RoHS declaration table can be found in the download area for the respective article under "Manufacturer declaration". For all articles with EFUP-E, no China RoHS declaration table issued and required.
--	--

EU REACH SVHC

REACH candidate substance (CAS No.)	No substance above 0.1 wt%
-------------------------------------	----------------------------

Phoenix Contact 2026 © - all rights reserved
<https://www.phoenixcontact.com>

Phoenix Contact USA
586 Fulling Mill Road
Middletown, PA 17057, United States
(+717) 944-1300
info@phoenixcon.com