

# PLD M 160 W-95/105 196 - LED machine light



2702475

<https://www.phoenixcontact.com/us/products/2702475>

Please be informed that the data shown in this PDF document is generated from our online catalog. Please find the complete data in the user documentation. Our general terms of use for downloads are valid.



LED machine light, 24 V DC, emission angle (vertical/Horizontal): 95 °/105 °, length: 196 mm, degree of protection: IP67, can be swiveled, including mounting accessories

## Product description

This LED machine light is designed to provide illumination inside or on machinery. Due to the narrow design, it can be mounted even where space is at a premium. In the light holder supplied, the light can swivel and the lighting can therefore be optimally aligned. The satin-finished plastic cover prevents glare for the machine operator.

## Your advantages

- Narrow design enables mounting even in confined spaces
- Ready to connect by means of punched-on 3 m supply line
- Focused illumination, thanks to swivel action
- IP67 protection enables use even in wet environments
- ETL approval permits use on the North American market
- Particularly economical thanks to energy-efficient LED technology and an LED service life of at least 50000 h

## Commercial data

|                                      |               |
|--------------------------------------|---------------|
| Item number                          | 2702475       |
| Packing unit                         | 1 pc          |
| Minimum order quantity               | 1 pc          |
| Sales key                            | DR08          |
| Product key                          | DRL221        |
| GTIN                                 | 4055626213682 |
| Weight per piece (including packing) | 3,300 g       |
| Weight per piece (excluding packing) | 3,278 g       |
| Customs tariff number                | 94054239      |
| Country of origin                    | DE            |

# PLD M 160 W-95/105 196 - LED machine light



2702475

<https://www.phoenixcontact.com/us/products/2702475>

## Technical data

### Notes

#### Note on application

|                     |                         |
|---------------------|-------------------------|
| Note on application | Only for industrial use |
|---------------------|-------------------------|

### Product properties

|                    |  |
|--------------------|--|
| Product type       | Machine light  |
| Application        | Machine  |
| Mounting position  | any  |
| Special properties | can be swiveled Swiveling range $\pm 35^\circ$<br>including mounting accessories |

### Electrical properties

#### Supply: Module electronics

|                      |   |
|----------------------|---|
| Connection method    | open cable end  |
| Cable length         | approx. 3 m   |
| Supply voltage       | 24 V DC   |
| Supply voltage range | 22 V DC ... 26 V DC   |
| Current consumption  | typ. 0.15 A (at 24 V DC)  |
| Power consumption    | approx. 3.5 W (at 24 V DC)  |
| Protective circuit   | Surge protection; Suppressor diode, 28 V DC<br>Reverse polarity protection; Polarity protection diode |

### Signaling

#### Light properties

|                         |   |
|-------------------------|---|
| Source of light type    | LED   |
| Number of LEDs          | 6   |
| Color temperature       | 6600 K $\pm 10\%$   |
| Color rendering index   | 75  |
| Luminous flux           | approx. 150 lm (Net luminous flux)  |
| Luminous efficacy       | approx. 43 lm/W   |
| Illumination            | max. 206 lx (50 cm distance)<br>min. 24 lx (Distance of 50 cm over 1 m <sup>2</sup> area) |
| Average illumination    | 89 lx (Distance of 50 cm over 1 m <sup>2</sup> area)                                      |
| Emission angle          | 95 ° (C0-C180)<br>105 ° (C90-C270)  |
| Ordinance               | Delegated Regulation (EU) 2019/2015   |
| Energy efficiency class | E (1 light source)  |
| Note                    | This product contains an energy efficiency class E light source.                          |

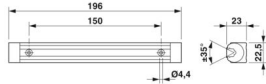
### Dimensions

# PLD M 160 W-95/105 196 - LED machine light



2702475

<https://www.phoenixcontact.com/us/products/2702475>

|                     |  |
|---------------------|--|
| Dimensional drawing |  |
| Width               | 22.5 mm  |
| Height              | 23 mm  |
| Length              | 196 mm   |

## Material specifications

|          |  |
|----------|--|
| Color    | aluminum color   |
| Material | Anodized aluminum (Light housing)<br>Satined acrylic (Light cover) |

## Environmental and real-life conditions

### Ambient conditions

|  |                       |
|--|-----------------------|
| Ambient temperature (operation)          | 0 °C ... 40 °C        |
| Degree of protection                     | IP67                  |
| Air pressure (operation)                 | 69 kPa ... 102 kPa    |
| Air pressure (storage/transport)         | 69 kPa ... 102 kPa    |
| Ambient temperature (storage/transport)  | -10 °C ... 50 °C      |
| Permissible humidity (operation)         | 95 % (non-condensing) |
| Permissible humidity (storage/transport) | 95 % (non-condensing) |

### Energy labeling

|              |   |
|--------------|---|
| Ordinance    | Delegated Regulation (EU) 2019/2015   |
| Note (EPREL) | The EPREL entry can be searched for with the registration number ( <a href="https://eprel.ec.europa.eu/screen/home">https://eprel.ec.europa.eu/screen/home</a> )<br>The EPREL entry can be searched for with the model ID ( <a href="https://eprel.ec.europa.eu/screen/product/lightsources">https://eprel.ec.europa.eu/screen/product/lightsources</a> ) |

### Energy labeling (Light source 1)

|                         |         |
|-------------------------|---------|
| Registration number     | 1933864 |
| Model ID                | 812293  |
| Energy efficiency class | E       |
| Number of light sources | 1       |

## Standards and regulations

|                  |                                       |
|------------------|---------------------------------------|
| Protection class | III (IEC 61140, EN 61140, VDE 0140-1) |
|------------------|---------------------------------------|

## Mounting

|                   |  |
|-------------------|--|
| Mounting type     | Screw mounting (via supplied light holder) |
| Mounting position | any  |

# PLD M 160 W-95/105 196 - LED machine light

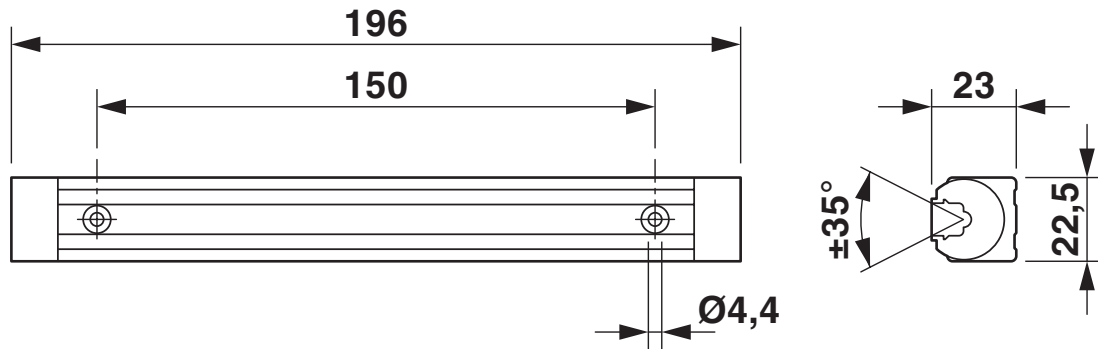


2702475

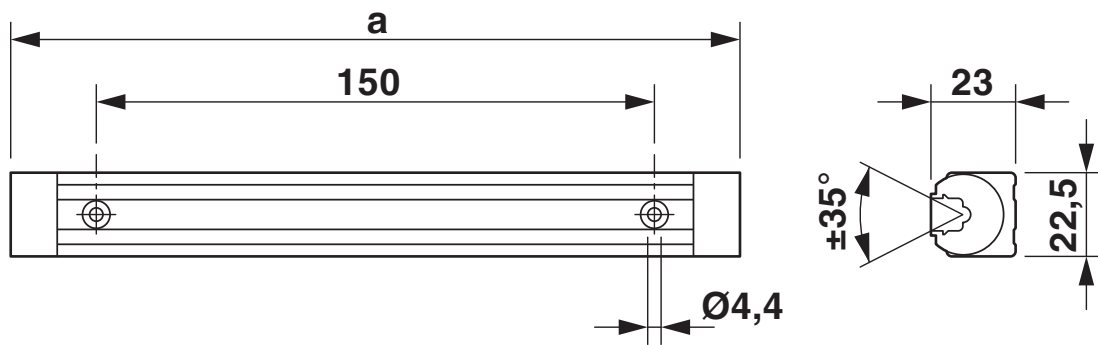
<https://www.phoenixcontact.com/us/products/2702475>

## Drawings

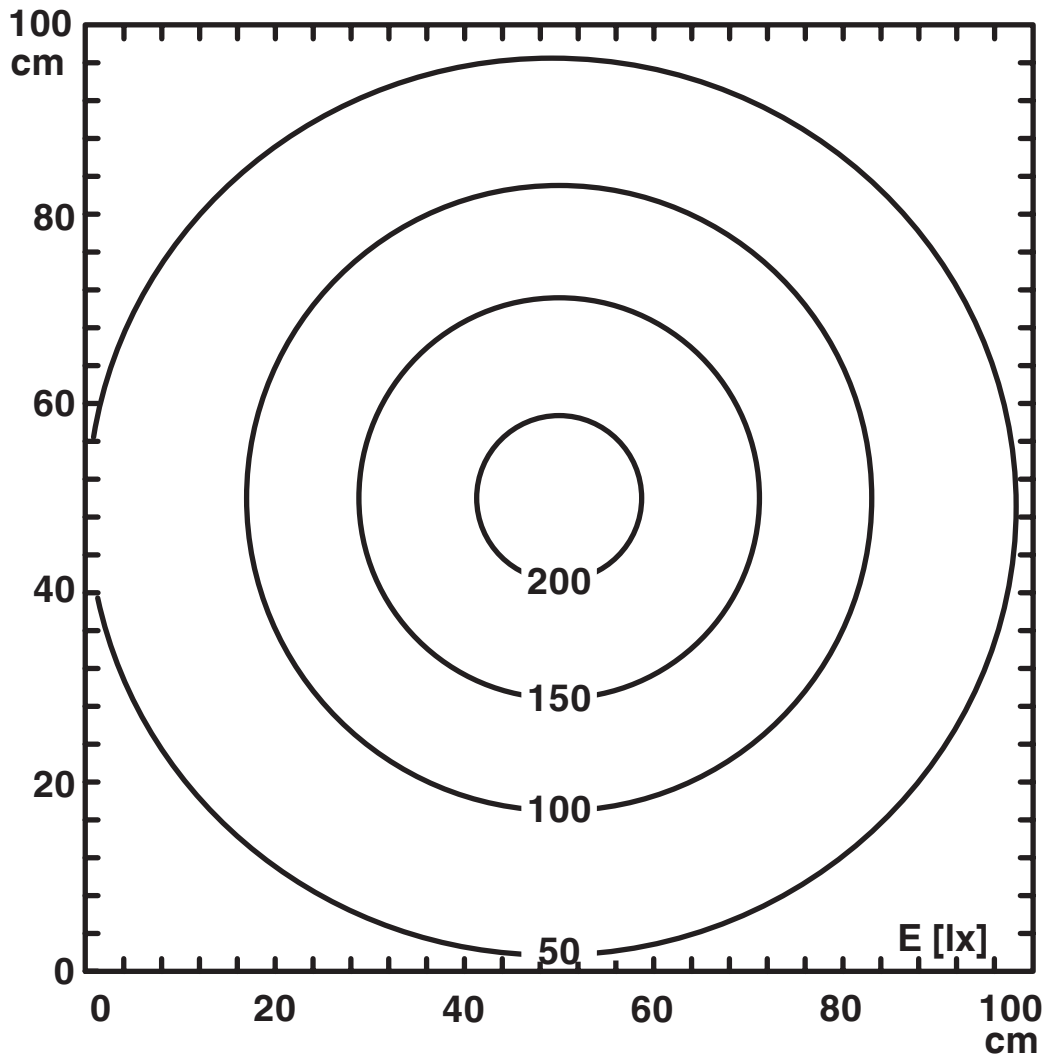
Dimensional drawing



Dimensional drawing



Diagram



Illuminance distribution  
(distance d = 0.5 m)

Diagram



Luminous intensity distribution (LID)  
(red line: C0 - C180, blue line: C90 - C270)

# PLD M 160 W-95/105 196 - LED machine light



2702475

<https://www.phoenixcontact.com/us/products/2702475>

## Approvals

To download certificates, visit the product detail page: <https://www.phoenixcontact.com/us/products/2702475>



**ETLus**

Approval ID: LV-Lighting-Systems



**cETL**

Approval ID: Luminaires



**EAC**

Approval ID: TR\_TS\_D\_12879-22

# PLD M 160 W-95/105 196 - LED machine light



2702475

<https://www.phoenixcontact.com/us/products/2702475>

## Classifications

### ECLASS

|             |          |
|-------------|----------|
| ECLASS-13.0 | 27110345 |
| ECLASS-15.0 | 27110345 |

### ETIM

|           |          |
|-----------|----------|
| ETIM 10.0 | EC000348 |
|-----------|----------|

### UNSPSC

|             |          |
|-------------|----------|
| UNSPSC 21.0 | 32151500 |
|-------------|----------|

2702475

<https://www.phoenixcontact.com/us/products/2702475>

## Environmental product compliance

### EU RoHS

|   |                      |
|---|----------------------|
| Fulfills EU RoHS substance requirements | Yes                  |
| Exemption                               | 6(a)-I, 7(a), 7(c)-I |

### China RoHS

|  |   |
|--|---|
| Environment friendly use period (EFUP) | EFUP-50   |
|  | An article-related China RoHS declaration table can be found in the download area for the respective article under "Manufacturer declaration". For all articles with EFUP-E, no China RoHS declaration table issued and required. |

### EU REACH SVHC

|                                     |                      |
|-------------------------------------|----------------------|
| REACH candidate substance (CAS No.) | Lead(CAS: 7439-92-1) |
|-------------------------------------|----------------------|

### EF3.1 Climate Change

|         |               |
|---------|---------------|
| CO2e kg | 8.524 kg CO2e |
|---------|---------------|

Phoenix Contact 2026 © - all rights reserved  
<https://www.phoenixcontact.com>

Phoenix Contact USA  
586 Fulling Mill Road  
Middletown, PA 17057, United States  
(+717) 944-1300  
[info@phoenixcon.com](mailto:info@phoenixcon.com)