

# PLD E 400-PS/1AC/24DC/30W - Mains plug



2702436

<https://www.phoenixcontact.com/us/products/2702436>

Please be informed that the data shown in this PDF document is generated from our online catalog. Please find the complete data in the user documentation. Our general terms of use for downloads are valid.

Plug-in power supply unit for class 400 LED enclosure lights, including country-specific plug adapters for Europe, Great Britain, USA and Australia; max. output voltage 30 W



## Product description

The plug-in power supply unit is intended for supplying power to class 400 LED enclosure lights. A power supply unit and four country-specific plug adapters, e.g., for Europe, Great Britain, the USA, and Australia, are supplied as standard. By connecting the country-specific plug adapter to the power supply unit, you can adapt the plug-in power supply unit to the installation location.

## Your advantages

- High efficiency
- Minimum standby power dissipation  $\leq 0.1$  W
- IP42-tested interchangeable adapter system

## Commercial data

Item number	2702436
Packing unit	1 pc
Note	Made to order (non-returnable)
Sales key	DR08
Product key	DRL23Z
GTIN	4055626184678
Weight per piece (including packing)	361.2 g
Weight per piece (excluding packing)	222.222 g
Customs tariff number	85044082
Country of origin	DE

# PLD E 400-PS/1AC/24DC/30W - Mains plug



2702436

<https://www.phoenixcontact.com/us/products/2702436>

## Technical data

### Product properties

Product type	Power module
--------------	--------------

### Insulation characteristics

Protection class	II
------------------	----

### Input data

Nominal input voltage range	100 V AC ... 240 V AC $\pm 10$ %
Voltage type of supply voltage	AC
AC frequency range	50 Hz ... 60 Hz
Protective circuit	Surge protection
	Short-circuit protection
	Overload protection
Typical response time	max. 2 s
Discharge current to PE	max. 250 $\mu$ A

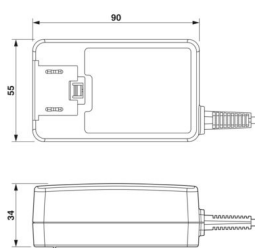
### Signal

Maximum inrush current	650 mA
------------------------	--------

### Output data

Efficiency	$\geq 86.95$ %
Nominal output voltage	24 V DC $\pm 5$ %
Residual ripple	120 mV <sub>PP</sub>
Output power	30 W
Maximum no-load power dissipation	max. 0.1 W
Protective circuit	Surge protection

### Dimensions

Dimensional drawing	
Width	55 mm
Height	90 mm
Depth	34 mm

### Cable/line

Connecting cable length	2 m
-------------------------	-----

## Environmental and real-life conditions

### Ambient conditions

Degree of protection	IP42
Ambient temperature (operation)	0 °C ... 40 °C (at maximum load)
Ambient temperature (storage/transport)	-20 °C ... 70 °C
Maximum altitude	2000 m
Permissible humidity (operation)	10 % ... 95 % (non-condensing)

### EMC data

Electromagnetic compatibility	Conformance with EMC Directive 2014/30/EU
-------------------------------	---

### Mounting

Mounting type	Plugging into the mains socket
---------------	--------------------------------

# PLD E 400-PS/1AC/24DC/30W - Mains plug

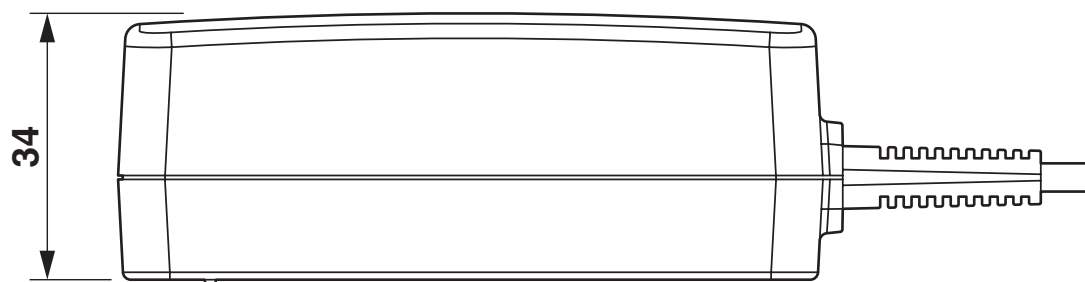
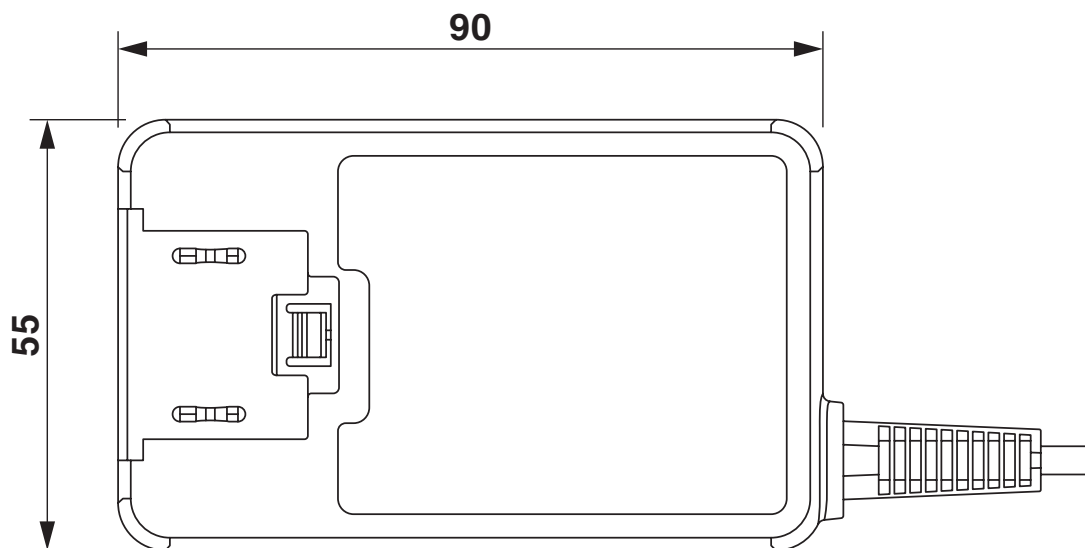


2702436

<https://www.phoenixcontact.com/us/products/2702436>

## Drawings

Dimensional drawing



# PLD E 400-PS/1AC/24DC/30W - Mains plug



2702436

<https://www.phoenixcontact.com/us/products/2702436>

## Classifications

### UNSPSC

UNSPSC 21.0	39111500
-------------	----------

2702436

<https://www.phoenixcontact.com/us/products/2702436>

## Environmental product compliance

### EU RoHS

Fulfills EU RoHS substance requirements	Yes
Exemption	6(c), 7(c)-I

### China RoHS

Environment friendly use period (EFUP)	EFUP-25
	An article-related China RoHS declaration table can be found in the download area for the respective article under "Manufacturer declaration". For all articles with EFUP-E, no China RoHS declaration table issued and required.

### EU REACH SVHC

REACH candidate substance (CAS No.)	Lead(CAS: 7439-92-1)
-------------------------------------	----------------------

Phoenix Contact 2026 © - all rights reserved  
<https://www.phoenixcontact.com>

Phoenix Contact USA  
586 Fulling Mill Road  
Middletown, PA 17057, United States  
(+717) 944-1300  
[info@phoenixcon.com](mailto:info@phoenixcon.com)