

# PLD E 400-DS-MS/1,0-FS/0,6 - Door position switch



2702337

<https://www.phoenixcontact.com/us/products/2702337>

Please be informed that the data shown in this PDF document is generated from our online catalog. Please find the complete data in the user documentation. Our general terms of use for downloads are valid.



Door position switch with 1 m cable with M8 plug and 0.6 m cable with M8 socket (Snap-in), including mounting accessories

## Product description

This door position switch is used to automatically switch the class 400 PLD enclosure lights on or off when opening or closing the control cabinet door. If the enclosure lights are connected in series, this door position switch is only to be used from the second light onward.

## Commercial data

Item number	2702337
Packing unit	1 pc
Note	Made to order (non-returnable)
Sales key	NULL
Product key	DRL23Z
GTIN	4055626127460
Weight per piece (including packing)	145.1 g
Weight per piece (excluding packing)	145.1 g
Customs tariff number	85365080
Country of origin	HU

# PLD E 400-DS-MS/1,0-FS/0,6 - Door position switch



2702337

<https://www.phoenixcontact.com/us/products/2702337>

## Technical data

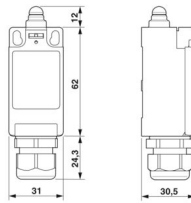
### Product properties

Product type	Door position switch
Mounting position	any
Mechanical service life	10x 10 <sup>6</sup> cycles

### Electrical properties

Rated voltage	24 V DC
Rated current	3 A

### Dimensions

Dimensional drawing	
Width	31 mm
Height	30.5 mm
Depth	98.3 mm
Note on dimensions	Without connected cables

### Material specifications

Color	black
Material	Thermoplastic, fiber-reinforced PUR

### Environmental and real-life conditions

#### Ambient conditions

Degree of protection	IP54
Ambient temperature (operation)	-30 °C ... 80 °C

### Standards and regulations

Protection class	II
------------------	----

### Mounting

Mounting position	any
-------------------	-----

# PLD E 400-DS-MS/1,0-FS/0,6 - Door position switch

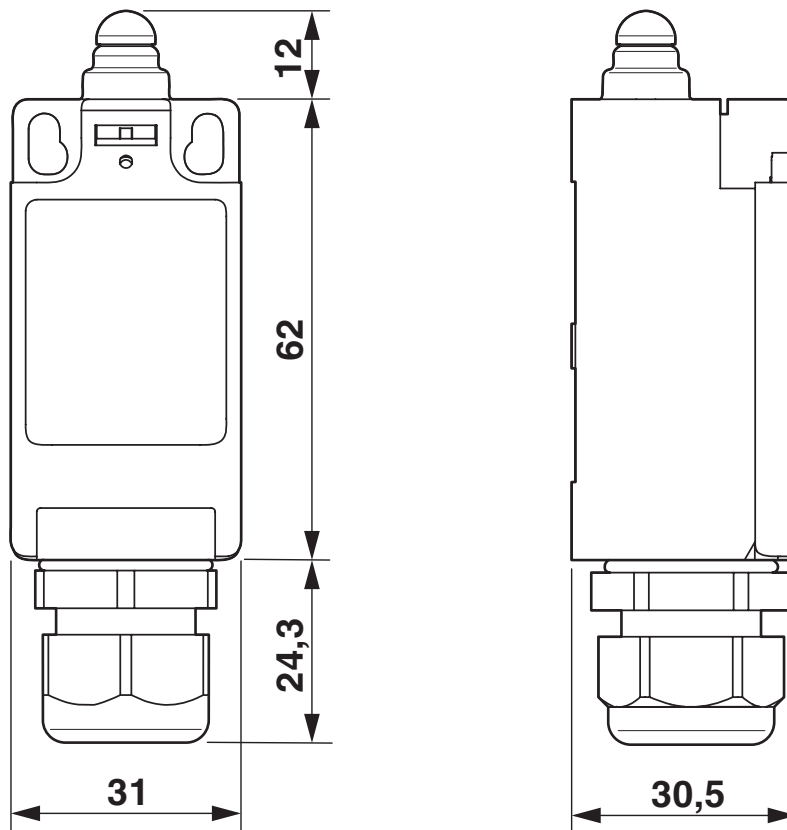


2702337

<https://www.phoenixcontact.com/us/products/2702337>

## Drawings

Dimensional drawing



Dimensions

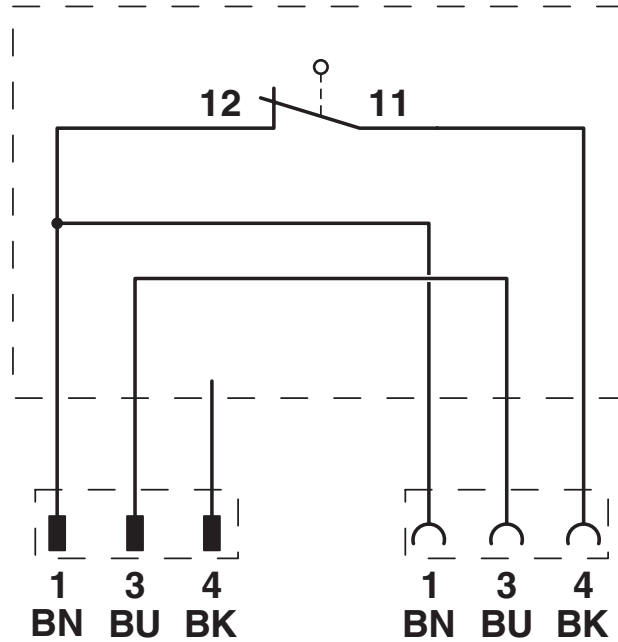
# PLD E 400-DS-MS/1,0-FS/0,6 - Door position switch

2702337

<https://www.phoenixcontact.com/us/products/2702337>



Circuit diagram



# PLD E 400-DS-MS/1,0-FS/0,6 - Door position switch



2702337

<https://www.phoenixcontact.com/us/products/2702337>

## Classifications

### UNSPSC

UNSPSC 21.0	39111500
-------------	----------

2702337

<https://www.phoenixcontact.com/us/products/2702337>

## Environmental product compliance

### EU RoHS

Fulfills EU RoHS substance requirements	Yes
Exemption	6(c)

### China RoHS

Environment friendly use period (EFUP)	EFUP-50
	An article-related China RoHS declaration table can be found in the download area for the respective article under "Manufacturer declaration". For all articles with EFUP-E, no China RoHS declaration table issued and required.

### EU REACH SVHC

REACH candidate substance (CAS No.)	Lead(CAS: 7439-92-1)
-------------------------------------	----------------------

Phoenix Contact 2026 © - all rights reserved  
<https://www.phoenixcontact.com>

Phoenix Contact USA  
586 Fulling Mill Road  
Middletown, PA 17057, United States  
(+717) 944-1300  
[info@phoenixcon.com](mailto:info@phoenixcon.com)