

AXL F DI16/1 DO8/2-2A 2H - Digital module



2702291

<https://www.phoenixcontact.com/us/products/2702291>

Please be informed that the data shown in this PDF document is generated from our online catalog. Please find the complete data in the user documentation. Our general terms of use for downloads are valid.



Axioline F, Digital I/O module, Digital inputs: 16, 24 V DC, connection technology: 1-conductor, Digital outputs: 8, 24 V DC, 2 A, connection technology: 2-conductor, transmission speed in the local bus: 100 Mbps, degree of protection: IP20, including bus base module and Axioline F connectors

Product description

The module is designed for use within an Axioline F station. It is used to acquire and output digital signals. The filter times of the inputs can be adjusted to increase noise immunity. Filter times of 100 μ s enable the user to implement a counter function with a maximum input frequency of 5 kHz in the application. The outputs are protected against short circuit and overload.

Your advantages

- 16 digital inputs in accordance with EN 61131-2 type 1 and type 3
- 24 V DC, 2.4 mA
- Connection of sensors in 1-conductor technology
- Filter times can be adjusted in three increments: < 100 μ s, 1000 μ s or 3000 μ s
- Maximum input frequency: 5 kHz
- 8 digital outputs
- 24 V DC, 2 A
- Connection of actuators in 2-conductor technology
- Minimum update time of < 100 μ s
- Device rating plate stored

Commercial data

Item number	2702291
Packing unit	1 pc
Minimum order quantity	1 pc
Sales key	DR02
Product key	DRI233
GTIN	4055626071848
Weight per piece (including packing)	203.2 g
Weight per piece (excluding packing)	111 g
Customs tariff number	85389091
Country of origin	DE

AXL F DI16/1 DO8/2-2A 2H - Digital module

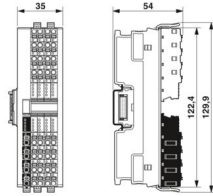


2702291

<https://www.phoenixcontact.com/us/products/2702291>

Technical data

Dimensions

Dimensional drawing	
Width	35 mm
Height	129.9 mm
Depth	54 mm
Note on dimensions	The depth applies when a TH 35-7.5 DIN rail is used (in accordance with EN 60715).

Notes

Note on application

Note on application	Only for industrial use
---------------------	-------------------------

Material specifications

Color (Housing)	gray (RAL 7042)
-----------------	-----------------

Interfaces

Axioline F local bus

Number of interfaces	2
Connection method	Bus base module
Transmission speed	100 Mbps

System properties

Programming data (LocalbusSlave)

Input address area	2 Byte
Output address area	2 Byte

Fieldbus data telegram (PROFIBUS)

Required parameter data	3 Byte
Required configuration data	7 Byte

Input data

Digital:

Input name	Digital inputs
Description of the input	EN 61131-2 types 1 and 3
Number of inputs	16

AXL F DI16/1 DO8/2-2A 2H - Digital module



2702291

<https://www.phoenixcontact.com/us/products/2702291>

Connection method	Push-in connection
Connection technology	1-conductor
Input voltage range "0" signal	-3 V DC ... 5 V DC
Input voltage range "1" signal	11 V DC ... 30 V DC
Nominal input voltage U_{IN}	24 V DC
Nominal input current at U_{IN}	2.4 mA
Current flow	linear until nominal current is reached, then constantly approx. 2.4 mA
Input filter time	3000 μ s (Default)
	1000 μ s
	< 100 μ s
Process data update	< 150 μ s
Protective circuit	Polarity reversal protection of the inputs; parallel diode (30 V, 5 s)

Output data

Digital:

Output name	Digital outputs
Connection method	Push-in connection
Connection technology	2-conductor
Number of outputs	8
Protective circuit	Short-circuit protection, overload protection of the outputs; electronic
Output voltage	24 V DC
Limitation of the voltage induced on circuit interruption	-25.8 V ... -15 V
Max. current carrying capacity per output	max. 2 A
Maximum output current per module	max. 16 A (Provide external protection; if the total current of 8 A is exceeded, connect the supply at the power connector parallel via both terminal points.)
Nominal output voltage	24 V DC
Load min.	10 k Ω
Output voltage when switched off	max. 1 V
Output current when switched off	max. 300 μ A
Nominal load, inductive	max. 48 VA (1.2 H, 12 Ω , at nominal load)
Nominal load, lamp	max. 48 W (at nominal voltage)
Nominal load, ohmic	max. 48 W (12 Ω , at nominal load)
Switching frequency	max. 3000 per second (with at least 50 mA load current)
	max. 1 per second (with inductive load)
	max. 4 per second (with nominal lamp load)
Reverse voltage resistance to short pulses	limited protection up to 0.5 A for 1 s
Behavior with overload	Shutdown with automatic restart
Behavior with inductive overload	Output can be destroyed
Signal delay	max. 150 μ s (when switched on)
	max. 150 μ s (when switched off, with at least 50 mA load current)
Overcurrent shut-down	as of 2.1 A
Output current with ground connection interrupt when switched	< 1 mA

AXL F DI16/1 DO8/2-2A 2H - Digital module



2702291

<https://www.phoenixcontact.com/us/products/2702291>

off

Product properties

Product type	I/O component
Product family	Axioline F
Type	block modular
Mounting position	any (no temperature derating)
Scope of supply	including bus base module and Axioline F connectors

Insulation characteristics

Overvoltage category	II (IEC 60664-1, EN 60664-1)
Pollution degree	2 (IEC 60664-1, EN 60664-1)

Electrical properties

Maximum power dissipation for nominal condition	7.95 W
---	--------

Potentials: Axioline F local bus supply (U_{BUS})

Supply voltage	5 V DC (via bus base module)
Current draw	max. 120 mA (up to HW 01) max. 60 mA (from HW 02)

Potentials: Supply for digital input and output modules (U_{IO})

Supply voltage	24 V DC
Supply voltage range	19.2 V DC ... 30 V DC (including all tolerances, including ripple)
Current draw	max. 16 A (Provide external protection; if the total current of 8 A is exceeded, connect the supply at the power connector parallel via both terminal points.)
Current consumption	typ. 10 mA (without connected peripherals)
Protective circuit	Surge protection; electronic (35 V, 0.5 s) Reverse polarity protection; parallel diode; with external 5 A fuse (only for commissioning)
Protection	max. 16 A (polarity reversal protection up to 5 A)

Electrical isolation/isolation of the voltage ranges

Test voltage: 5 V supply of the local bus (U_{BUS}) / 24 V supply (I/Os)	500 V AC, 50 Hz, 1 min
Test voltage: 5 V supply of the local bus (U_{BUS}) / functional ground	500 V AC, 50 Hz, 1 min
Test voltage: 24 V supply (I/O) / functional ground	500 V AC, 50 Hz, 1 min

Connection data

Connection technology

Connection name	Axioline F connectors (digital inputs)
Note on the connection method	Please observe the information provided on conductor cross-sections in the "Axioline F: system and installation" user manual.

Axioline F connectors (digital inputs)

Connection method	Push-in connection
-------------------	--------------------

AXL F DI16/1 DO8/2-2A 2H - Digital module



2702291

<https://www.phoenixcontact.com/us/products/2702291>

Note on the connection method	Please observe the information provided on conductor cross-sections in the "Axioline F: system and installation" user manual.
Conductor cross-section, rigid	0.2 mm ² ... 1.5 mm ²
Conductor cross-section, flexible	0.2 mm ² ... 1.5 mm ²
Conductor cross-section AWG	24 ... 16
Stripping length	8 mm

Axioline F connectors (supply and digital outputs)

Connection method	Push-in connection
Note on the connection method	Please observe the information provided on conductor cross-sections in the "Axioline F: system and installation" user manual.
Conductor cross-section, rigid	0.5 mm ² ... 1.5 mm ²
Conductor cross-section, flexible	0.5 mm ² ... 1.5 mm ²
Conductor cross-section AWG	20 ... 16
Stripping length	8 mm

Environmental and real-life conditions

Ambient conditions

Ambient temperature (operation)	-25 °C ... 60 °C
Degree of protection	IP20
Air pressure (operation)	70 kPa ... 106 kPa (up to 3000 m above sea level)
Air pressure (storage/transport)	70 kPa ... 106 kPa (up to 3000 m above sea level)
Ambient temperature (storage/transport)	-40 °C ... 85 °C
Permissible humidity (operation)	5 % ... 95 % (non-condensing)
Permissible humidity (storage/transport)	5 % ... 95 % (non-condensing)

Mechanical test

Vibration resistance in accordance with EN 60068-2-6/IEC 60068-2-6	5g
Shock in accordance with EN 60068-2-27/IEC 60068-2-27	30g
Continuous shock in accordance with EN 60068-2-27/IEC 60068-2-27	10g

Standards and regulations

Protection class	III (IEC 61140, EN 61140, VDE 0140-1)
------------------	---------------------------------------

Mounting

Mounting type	DIN rail mounting
Mounting position	any (no temperature derating)

AXL F DI16/1 DO8/2-2A 2H - Digital module

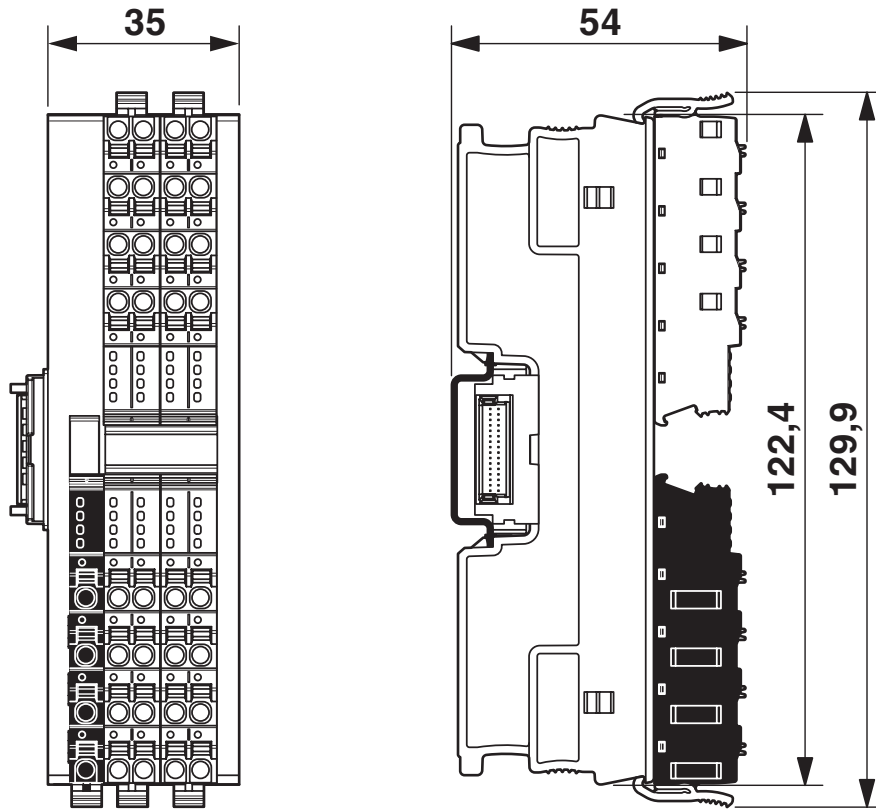


2702291

<https://www.phoenixcontact.com/us/products/2702291>

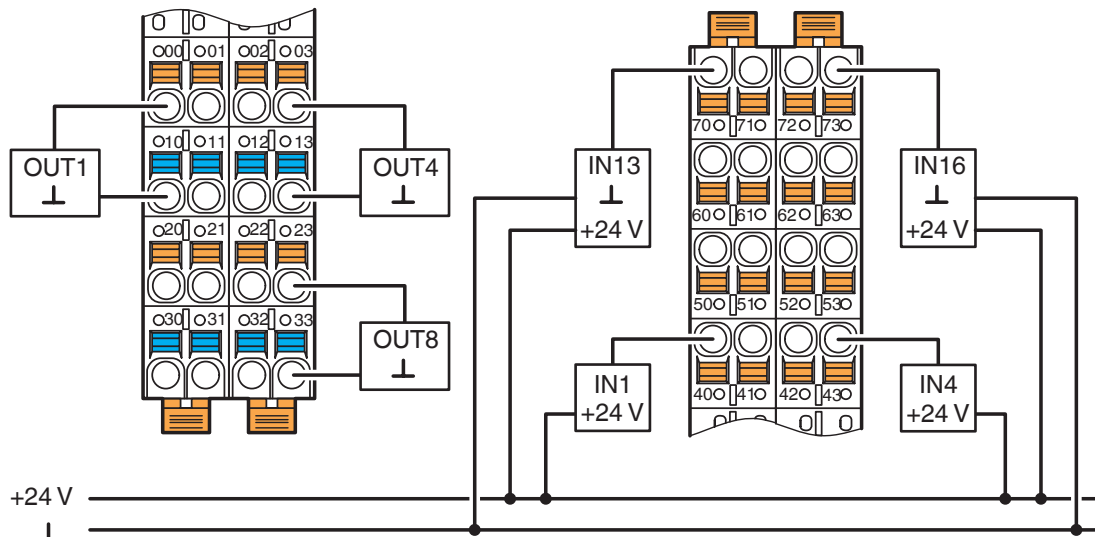
Drawings

Dimensional drawing



Dimensions

Connection diagram



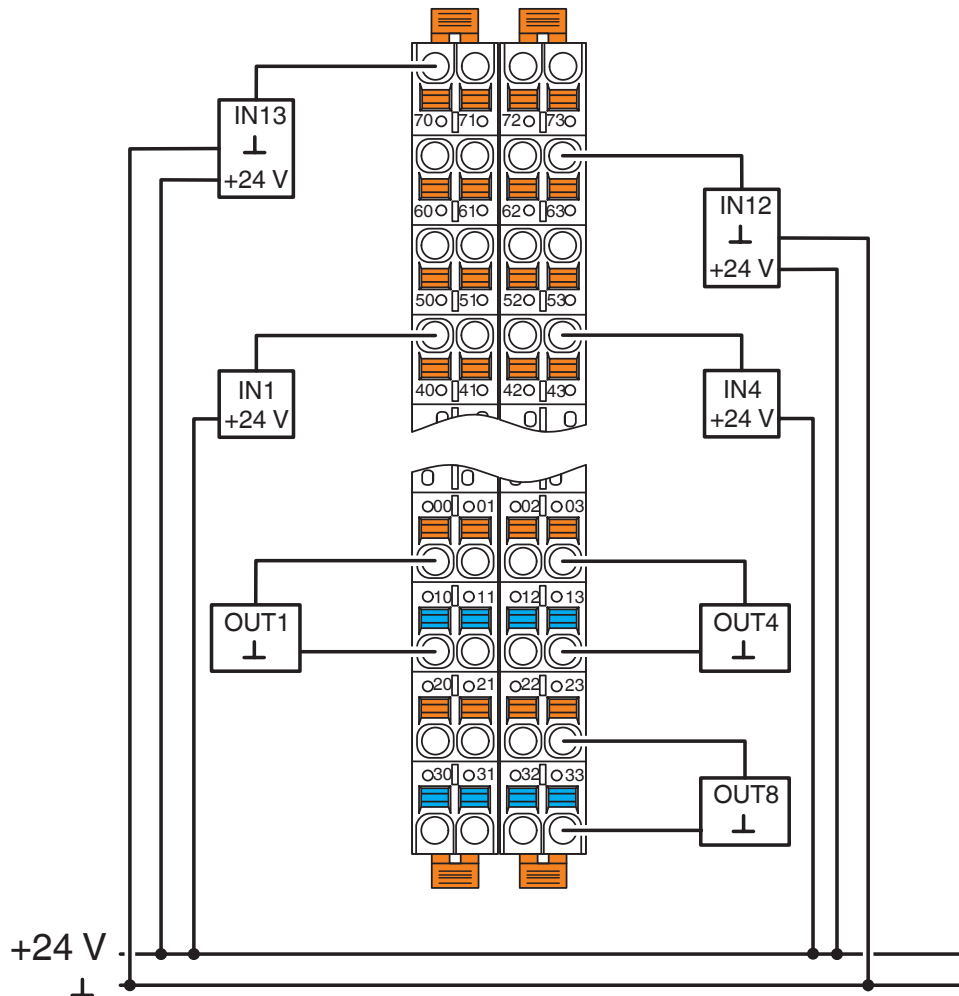
Connection example

AXL F DI16/1 DO8/2-2A 2H - Digital module

2702291

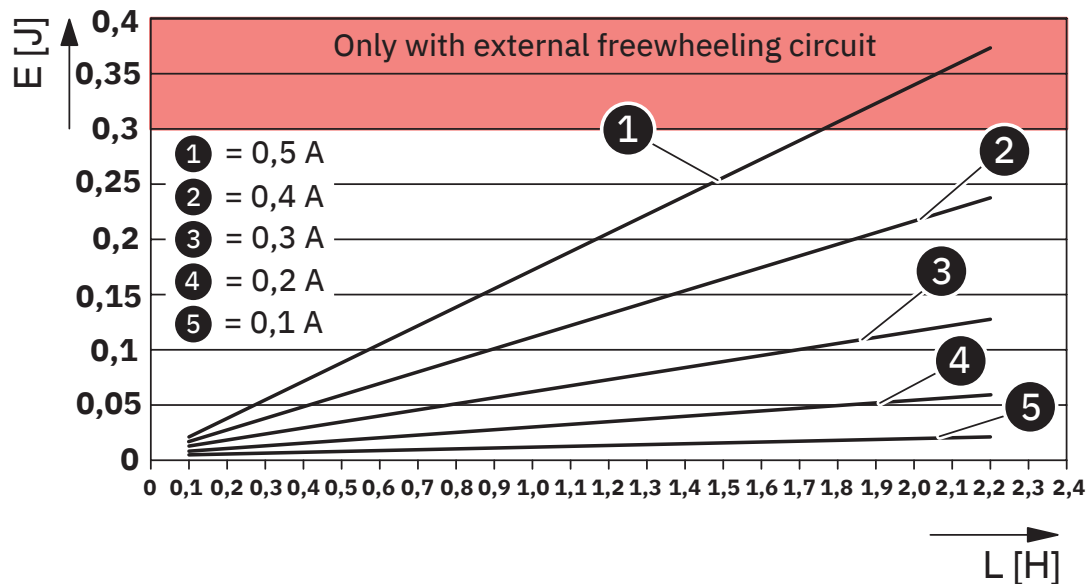
<https://www.phoenixcontact.com/us/products/2702291>

Connection diagram



Example of connection of sensors and actuators

Diagram



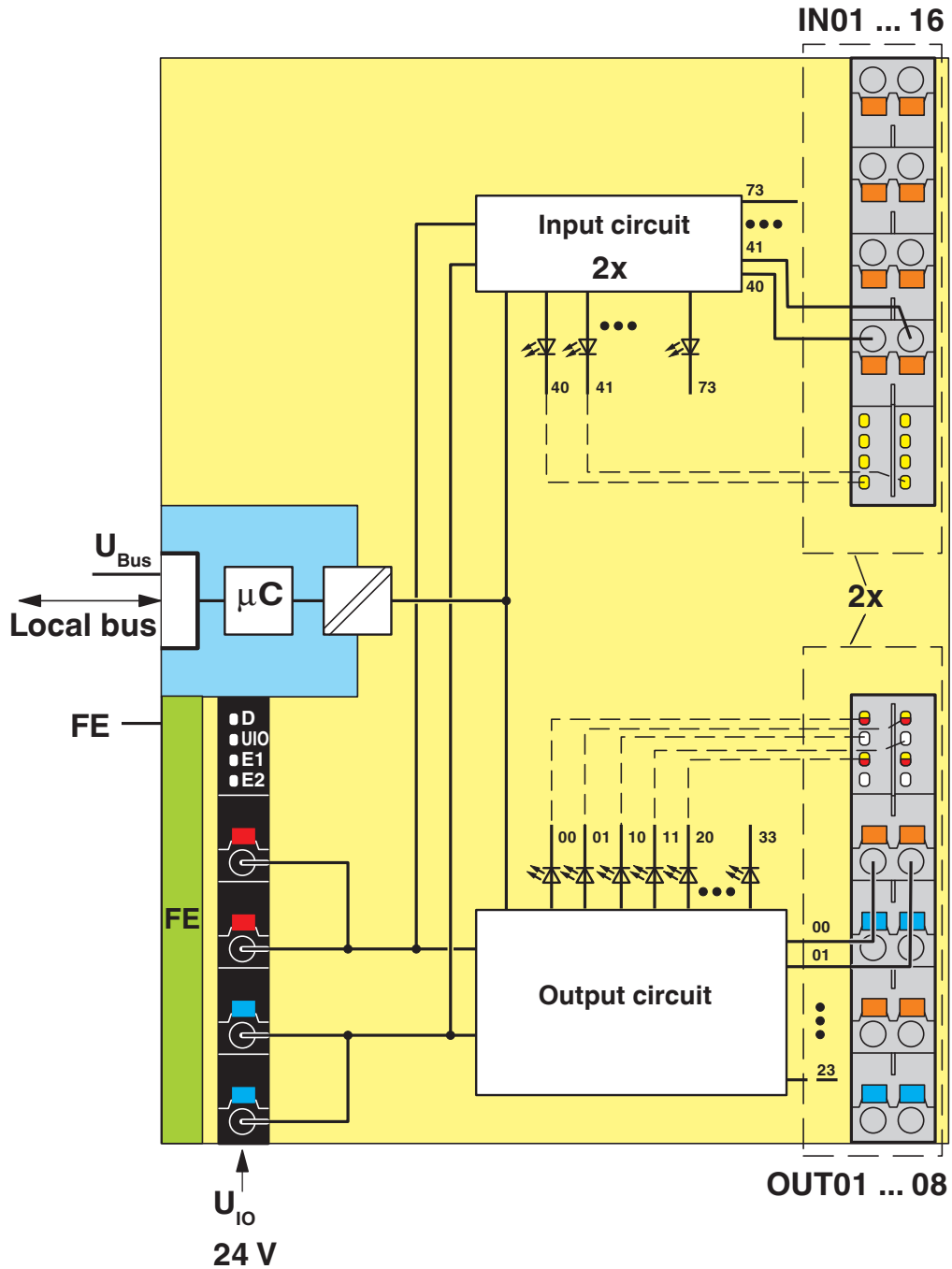
Maximum outputs power consumption when inductive loads are switched off

AXL F DI16/1 DO8/2-2A 2H - Digital module

2702291

<https://www.phoenixcontact.com/us/products/2702291>

Block diagram



Internal wiring of the terminal points

AXL F DI16/1 DO8/2-2A 2H - Digital module



2702291

<https://www.phoenixcontact.com/us/products/2702291>

Approvals

To download certificates, visit the product detail page: <https://www.phoenixcontact.com/us/products/2702291>



cULus Listed

Approval ID: E238705

AXL F DI16/1 DO8/2-2A 2H - Digital module



2702291

<https://www.phoenixcontact.com/us/products/2702291>

Classifications

ECLASS

ECLASS-13.0	27242604
ECLASS-15.0	27242604

ETIM

ETIM 10.0	EC001599
-----------	----------

UNSPSC

UNSPSC 21.0	32151600
-------------	----------

2702291

<https://www.phoenixcontact.com/us/products/2702291>

Environmental product compliance

EU RoHS

Fulfills EU RoHS substance requirements	Yes
Exemption	7(a), 7(c)-I

China RoHS

Environment friendly use period (EFUP)	EFUP-50
	An article-related China RoHS declaration table can be found in the download area for the respective article under "Manufacturer declaration". For all articles with EFUP-E, no China RoHS declaration table issued and required.

EU REACH SVHC

REACH candidate substance (CAS No.)	Lead(CAS: 7439-92-1)
SCIP	e34c6e3f-b0ea-4932-8aae-7f82c1188017

Phoenix Contact 2026 © - all rights reserved

<https://www.phoenixcontact.com>

Phoenix Contact USA
586 Fulling Mill Road
Middletown, PA 17057, United States
(+717) 944-1300
info@phoenixcon.com