

# TRKS 4-SI(5X20) GY - Transformer terminal block



2702225

<https://www.phoenixcontact.com/us/products/2702225>

Please be informed that the data shown in this PDF document is generated from our online catalog. Please find the complete data in the user documentation. Our general terms of use for downloads are valid.



Transformer terminal block, connection method: Screw connection, length: 45.8 mm, width: 12.5 mm, height: 27.5 mm, color: gray

The figure shows versions TRKS 4-SI and TRKS 4/1-SI in orange

## Commercial data

Item number	2702225
Packing unit	50 pc
Minimum order quantity	50 pc
Sales key	AA18
Product key	AARACB
GTIN	4017918060633
Weight per piece (including packing)	12.354 g
Weight per piece (excluding packing)	12.32 g
Customs tariff number	85369010
Country of origin	GR

# TRKS 4-SI(5X20) GY - Transformer terminal block



2702225

<https://www.phoenixcontact.com/us/products/2702225>

## Technical data

### Notes

General	For transformers on ships, saltwater-proof DIN rails must be used according to the regulations of Germanic Lloyd. This requirement is fulfilled by all rail designs.
General	When selecting the type of connection on safety transformers in acc. with IEC 742/EN 60742/DIN VDE 0551-1, please observe: - When safety transformers are used as self-contained devices, only screw connections are permitted for the external connections. - When installing safety transformers, the specifications of the respective devices must be observed.
General	When mounted on coils with mounting chambers, a gap of 1.25 mm results on both sides.

### Product properties

Product type	Distributor terminal block
Number of positions	1
Number of connections	2
Number of rows	1

### Insulation characteristics

Overvoltage category	III
Degree of pollution	3

### Electrical properties

Maximum load current	10 A (with 6 mm <sup>2</sup> cross section)
Rated insulation voltage	250 V
Rated surge voltage	4 kV

### Connection data

Maximum load current	10 A (with 6 mm <sup>2</sup> cross section)
Connection method	Screw connection
Screw thread	M3
Tightening torque	0.6 ... 0.8 Nm
Stripping length	10 mm 10 mm
Internal cylindrical gage	A3 / A4
Connection in acc. with standard	IEC / EN
Conductor cross-section rigid	0.2 mm <sup>2</sup> ... 6 mm <sup>2</sup>
Cross section AWG	24 ... 10 (converted acc. to IEC)
Conductor cross-section flexible	0.2 mm <sup>2</sup> ... 4 mm <sup>2</sup>
Conductor cross-section flexible (ferrule without plastic sleeve)	0.25 mm <sup>2</sup> ... 4 mm <sup>2</sup>
Flexible conductor cross-section (ferrule with plastic sleeve)	0.25 mm <sup>2</sup> ... 2.5 mm <sup>2</sup>
2 conductors with same cross section, rigid	0.2 mm <sup>2</sup> ... 1.5 mm <sup>2</sup>
2 conductors with same cross section, flexible	0.2 mm <sup>2</sup> ... 1.5 mm <sup>2</sup>

# TRKS 4-SI(5X20) GY - Transformer terminal block

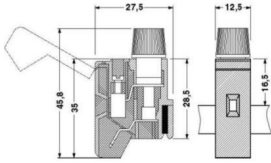


2702225

<https://www.phoenixcontact.com/us/products/2702225>

2 conductors with same cross section, flexible, with ferrule without plastic sleeve	0.25 mm <sup>2</sup> ... 1.5 mm <sup>2</sup>
2 conductors with the same cross section, flexible, with TWIN ferrule with plastic sleeve	0.5 mm <sup>2</sup> ... 2.5 mm <sup>2</sup>
Nominal current	10 A (is determined by the fuse used)
Nominal voltage	voltage data only possible in conjunction with transformer

## Dimensions

Dimensional drawing	
Width	12.5 mm
Height	27.5 mm
Length	45.8 mm

## Material specifications

Color (Housing)	gray (RAL 7042)
Flammability rating according to UL 94	V2
Insulating material group	I
Insulating material	PA

## Standards and regulations

Connection in acc. with standard	IEC / EN
----------------------------------	----------

## Packaging specifications

Type of packaging	packed in cardboard
-------------------	---------------------

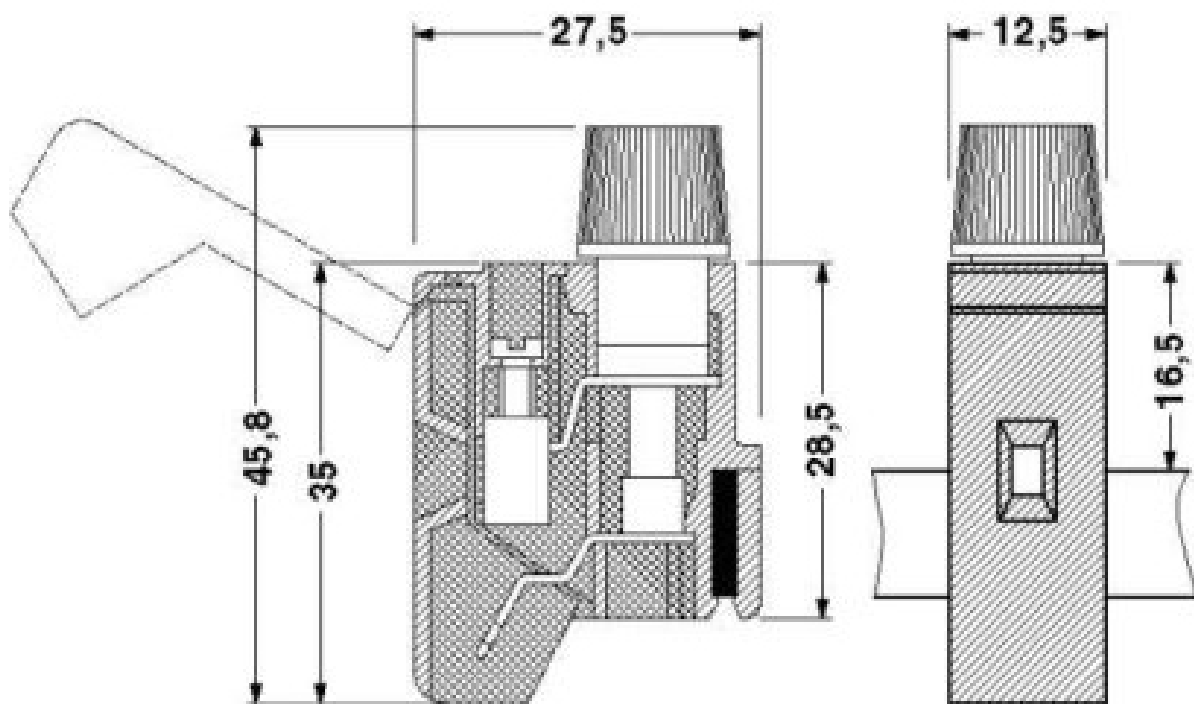
# TRKS 4-SI(5X20) GY - Transformer terminal block

2702225

<https://www.phoenixcontact.com/us/products/2702225>

## Drawings

Dimensional drawing



# TRKS 4-SI(5X20) GY - Transformer terminal block



2702225

<https://www.phoenixcontact.com/us/products/2702225>

## Classifications

### ECLASS

ECLASS-13.0	27141110
ECLASS-15.0	27141110

### UNSPSC

UNSPSC 21.0	39121410
-------------	----------

# TRKS 4-SI(5X20) GY - Transformer terminal block



2702225

<https://www.phoenixcontact.com/us/products/2702225>

## Environmental product compliance

### EU RoHS

Fulfills EU RoHS substance requirements	Yes, No exemptions
---	--------------------

### China RoHS

Environment friendly use period (EFUP)	EFUP-E
	No hazardous substances above the limits

### EU REACH SVHC

REACH candidate substance (CAS No.)	No substance above 0.1 wt%
-------------------------------------	----------------------------

Phoenix Contact 2026 © - all rights reserved

<https://www.phoenixcontact.com>

Phoenix Contact USA  
586 Fulling Mill Road  
Middletown, PA 17057, United States  
(+717) 944-1300  
[info@phoenixcon.com](mailto:info@phoenixcon.com)