

# AXL F DO4/3 AC 1F - Digital module



2702068

<https://www.phoenixcontact.com/us/products/2702068>

Please be informed that the data shown in this PDF document is generated from our online catalog. Please find the complete data in the user documentation. Our general terms of use for downloads are valid.



Axioline F, Digital output module, Digital outputs: 4 (Triac outputs with zero voltage switch), 230 V AC, 2 A, connection technology: 3-conductor, transmission speed in the local bus: 100 Mbps, degree of protection: IP20, including bus base module and Axioline F connectors

## Your advantages

- 4 digital outputs
- Connection of actuators in 2- and 3-conductor technology
- Device rating plate stored
- Diagnostic and status indicators

## Commercial data

Item number	2702068
Packing unit	1 pc
Minimum order quantity	1 pc
Sales key	DR02
Product key	DRI232
GTIN	4046356933087
Weight per piece (including packing)	239 g
Weight per piece (excluding packing)	239 g
Customs tariff number	85389091
Country of origin	DE

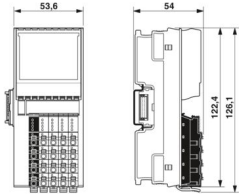
# AXL F DO4/3 AC 1F - Digital module

2702068

<https://www.phoenixcontact.com/us/products/2702068>

## Technical data

### Dimensions

Dimensional drawing	
Width	53.6 mm
Height	126.1 mm
Depth	54 mm
Note on dimensions	The depth applies when a TH 35-7.5 DIN rail is used (in accordance with EN 60715).

### Notes

#### Note on application

Note on application	Only for industrial use
---------------------	-------------------------

### Interfaces

#### Axiline F local bus

Number of interfaces	2
Connection method	Bus base module
Transmission speed	100 Mbps

### System properties

#### Module

Input address area	0 Byte
Output address area	1 Byte
Required parameter data	3 Byte
Required configuration data	6 Byte

### Output data

#### Digital:

Output name	Digital outputs
Connection method	Push-in connection
Connection technology	3-conductor
Number of outputs	4 (Triac outputs with zero voltage switch)
Protective circuit	External protection required; $I^2t$ -value (a half-wave): 340 A <sup>2</sup> s
Output voltage	230 V AC
Maximum output current per module	8 A (provide external protection)

# AXL F DO4/3 AC 1F - Digital module



2702068

<https://www.phoenixcontact.com/us/products/2702068>

Nominal output voltage	230 V AC
Output voltage range	24 V AC ... 230 V AC -20 % / +15 % (50/60 Hz)
Load min.	5.1 k $\Omega$ (at 230 V)
Output voltage when switched off	see diagram
Nominal load, ohmic	max. 460 W (at nominal voltage)
Switching frequency	max. 100 per second (with ohmic load)
Reverse voltage resistance to short pulses	Reverse voltage proof
Behavior with overload	Output may be damaged
Signal delay	max. 10 ms (at 50 Hz)

## Product properties

Product type	I/O component
Product family	Axioline F
Type	block modular
Mounting position	any (observe temperature and current derating)
Scope of supply	including bus base module and Axioline F connectors

## Electrical properties

Maximum power dissipation for nominal condition	8.6 W
---	-------

### Potentials: Axioline F local bus supply ( $U_{Bus}$ )

Supply voltage	5 V DC (via bus base module)
Current draw	max. 120 mA

### Potentials: Supply for digital output modules ( $U_O$ )

Supply voltage	230 V AC
Supply voltage range	12 V AC ... 253 V AC (including all tolerances, including ripple, 50 ... 60 Hz)
Current draw	max. 8 A (provide external protection)
Protective circuit	Surge protection; Varistor 275 V

### Electrical isolation/isolation of the voltage ranges

Test voltage: I/Os / logic	4 kV
	5 kV
Test voltage: I/O/functional ground	4 kV
	5 kV
Test voltage: I/O area AC / PE	4 kV

## Connection data

### Connection technology

Connection name	Axioline F connector
Note on the connection method	Please observe the information provided on conductor cross-sections in the "Axioline F: system and installation" user manual. When selecting the cables, please note that in the case of a small conductor cross-section and high current, the terminal point temperature may be up to 30 K above the ambient temperature.

# AXL F DO4/3 AC 1F - Digital module



2702068

<https://www.phoenixcontact.com/us/products/2702068>

## Axioline F connector

Connection method	Push-in connection
Note on the connection method	Please observe the information provided on conductor cross-sections in the "Axioline F: system and installation" user manual. When selecting the cables, please note that in the case of a small conductor cross-section and high current, the terminal point temperature may be up to 30 K above the ambient temperature.
Conductor cross-section, rigid	0.5 mm <sup>2</sup> ... 1.5 mm <sup>2</sup>
Conductor cross-section, flexible	0.5 mm <sup>2</sup> ... 1.5 mm <sup>2</sup>
Conductor cross-section AWG	20 ... 16
Stripping length	8 mm

## Environmental and real-life conditions

### Ambient conditions

Ambient temperature (operation)	-25 °C ... 60 °C (max. 2 A/channel for panel mounting on horizontal DIN rail; max. 1 A/channel for any mounting position)
	-25 °C ... 50 °C (max. 2 A/channel for any mounting position)
Degree of protection	IP20
Air pressure (operation)	70 kPa ... 106 kPa (up to 3000 m above sea level)
Air pressure (storage/transport)	70 kPa ... 106 kPa (up to 3000 m above sea level)
Ambient temperature (storage/transport)	-40 °C ... 85 °C
Permissible humidity (operation)	5 % ... 95 % (non-condensing)
Permissible humidity (storage/transport)	5 % ... 95 % (non-condensing)

## Mounting

Mounting type	DIN rail mounting
Mounting position	any (observe temperature and current derating)

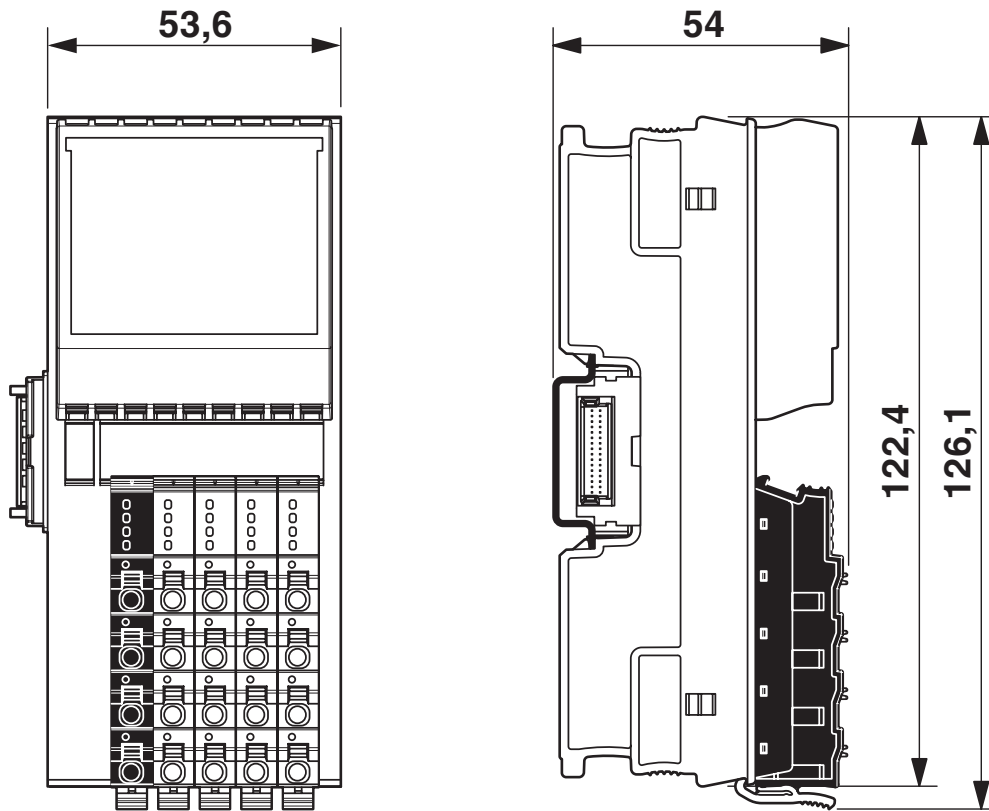
# AXL F DO4/3 AC 1F - Digital module

2702068

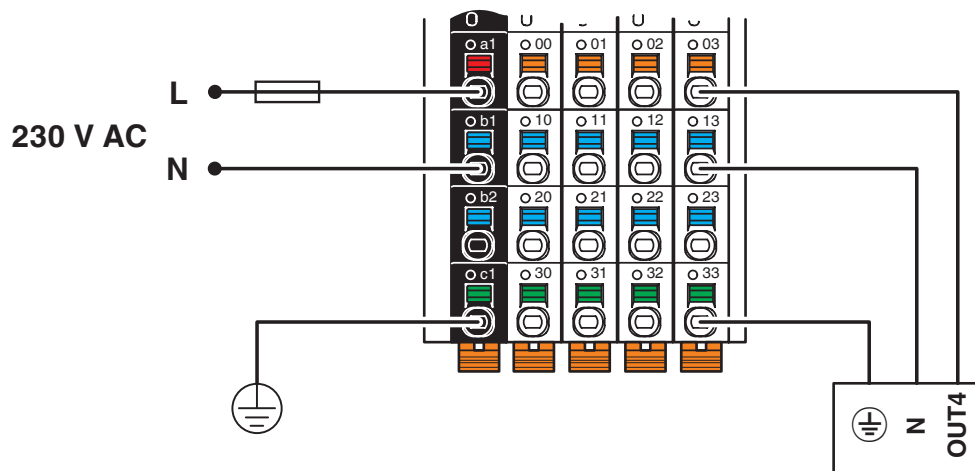
<https://www.phoenixcontact.com/us/products/2702068>

## Drawings

Dimensional drawing



Connection diagram



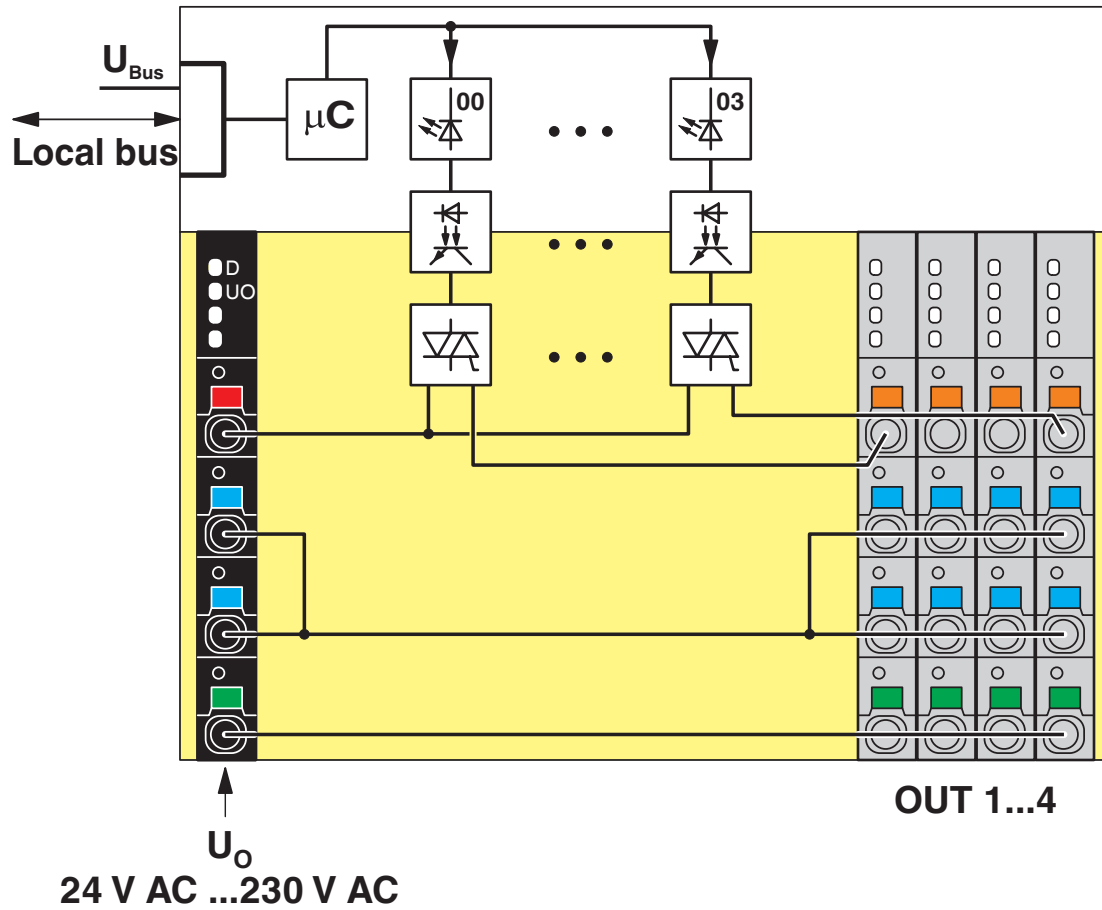
Connection in 3-conductor technology

# AXL F DO4/3 AC 1F - Digital module

2702068

<https://www.phoenixcontact.com/us/products/2702068>

Block diagram



Internal wiring of the terminal points

# AXL F DO4/3 AC 1F - Digital module



2702068

<https://www.phoenixcontact.com/us/products/2702068>

## Approvals

To download certificates, visit the product detail page: <https://www.phoenixcontact.com/us/products/2702068>



**cULus Listed**

Approval ID: E238705

# AXL F DO4/3 AC 1F - Digital module



2702068

<https://www.phoenixcontact.com/us/products/2702068>

## Classifications

### ECLASS

ECLASS-13.0	27242604
ECLASS-15.0	27242604

### ETIM

ETIM 10.0	EC001599
-----------	----------

### UNSPSC

UNSPSC 21.0	32151600
-------------	----------

2702068

<https://www.phoenixcontact.com/us/products/2702068>

## Environmental product compliance

### EU RoHS

Fulfills EU RoHS substance requirements	Yes
Exemption	7(a), 7(c)-I

### China RoHS

Environment friendly use period (EFUP)	EFUP-50
	An article-related China RoHS declaration table can be found in the download area for the respective article under "Manufacturer declaration". For all articles with EFUP-E, no China RoHS declaration table issued and required.

### EU REACH SVHC

REACH candidate substance (CAS No.)	Lead(CAS: 7439-92-1)
SCIP	369c1169-1d51-42a9-a9fa-0bb458d9fcfa

Phoenix Contact 2026 © - all rights reserved

<https://www.phoenixcontact.com>

Phoenix Contact USA  
586 Fulling Mill Road  
Middletown, PA 17057, United States  
(+717) 944-1300  
[info@phoenixcon.com](mailto:info@phoenixcon.com)