

# PSD-S WIN STARTERKIT/UL - Wireless elements



2701564

<https://www.phoenixcontact.com/us/products/2701564>

Please be informed that the data shown in this PDF document is generated from our online catalog. Please find the complete data in the user documentation. Our general terms of use for downloads are valid.



Starter kit with C-UL-US approval for the WIN signal tower wireless system, consisting of one master with antenna, three slaves, nine LED permanent light elements (red, yellow, green), three connection elements, three mounting feet with integrated tube, software CD, USB cable (3 m), four rubber feet, and mounting material for panel mounting the master

## Your advantages

- Repeater for increasing the range integrated in each wireless element
- Existing signal towers can be extended without additional wiring
- Can be operated parallel to other wireless applications
- Simultaneous detection of up to 50 wireless elements
- Error messages can be sent via e-mail
- Range of a wireless element with a free line of sight of up to 300 m

## Commercial data

Item number	2701564
Packing unit	1 pc
Note	Made to order (non-returnable)
Sales key	DR07
Product key	DRL115
GTIN	4046356801973
Weight per piece (including packing)	1,661.2 g
Weight per piece (excluding packing)	1,661.2 g
Customs tariff number	85318095
Country of origin	DE

# PSD-S WIN STARTERKIT/UL - Wireless elements



2701564

<https://www.phoenixcontact.com/us/products/2701564>

## Set consists of

### PSD-S WIN SL/UL - Wireless elements

2701565

<https://www.phoenixcontact.com/us/products/2701565>



Slave with C-UL-US approval for creating or extending the WIN signal tower wireless system, 24 V AC/DC, black

---

### PSD-S WIN MA/UL - Wireless elements

2701664

<https://www.phoenixcontact.com/us/products/2701664>



Master with antenna for the WIN signal tower wireless system, with USB interface, voltage supply via USB interface, software CD, USB cable (3 m), four rubber feet and material for panel mounting of the master

# PSD-S WIN STARTERKIT/UL - Wireless elements

2701564

<https://www.phoenixcontact.com/us/products/2701564>

## PSD-S OE LED RD - Optical element

2700107

<https://www.phoenixcontact.com/us/products/2700107>

LED permanent light element, 24 V AC/DC, red



---

## PSD-S OE LED YE - Optical element

2700122

<https://www.phoenixcontact.com/us/products/2700122>

LED permanent light element, 24 V AC/DC, yellow



# PSD-S WIN STARTERKIT/UL - Wireless elements



2701564

<https://www.phoenixcontact.com/us/products/2701564>

## PSD-S OE LED GN - Optical element

2700119

<https://www.phoenixcontact.com/us/products/2700119>

LED permanent light element, 24 V AC/DC, green



---

## PSD-S CE-TM SPRING - Connection element

2700092

<https://www.phoenixcontact.com/us/products/2700092>

Connection element with spring-cage terminal blocks for tube mounting



# PSD-S WIN STARTERKIT/UL - Wireless elements



2701564

<https://www.phoenixcontact.com/us/products/2701564>

## PSD-S ME BT 110 - Mounting material

2700156

<https://www.phoenixcontact.com/us/products/2700156>

Foot with integrated tube, 110 mm high, black



2701564

<https://www.phoenixcontact.com/us/products/2701564>

## Technical data

### Product properties

Scope of supply	1 master with antenna including accessories, 3 slaves, 9 LED steady-light optical elements (3 red, 3 yellow, 3 green), 3 bases with integrated tube, 3 connection elements (spring-cage), USB cable (3 m), software CD
-----------------	--

### Interfaces

#### Functions

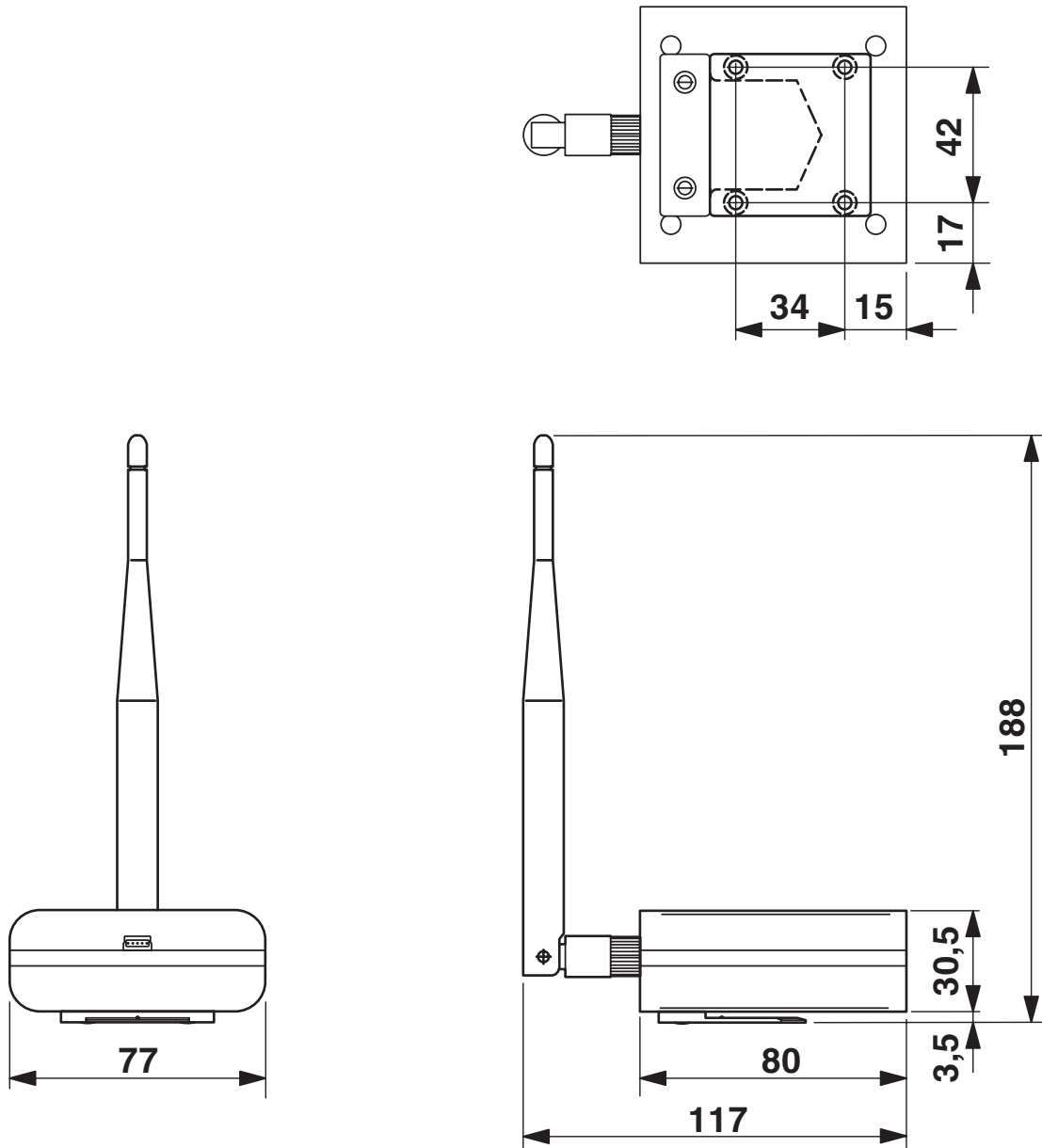
Wireless licenses	USA, Canada
Country support	USA
	Canada

### EMC data

Electromagnetic compatibility	Conforms with guidelines: FCC Part 15.249/IC: RSS-210 Issue 8, RSS-GEN Issue 4, RSS-102 Issue 4
-------------------------------	---

Drawings

Dimensional drawing



Master

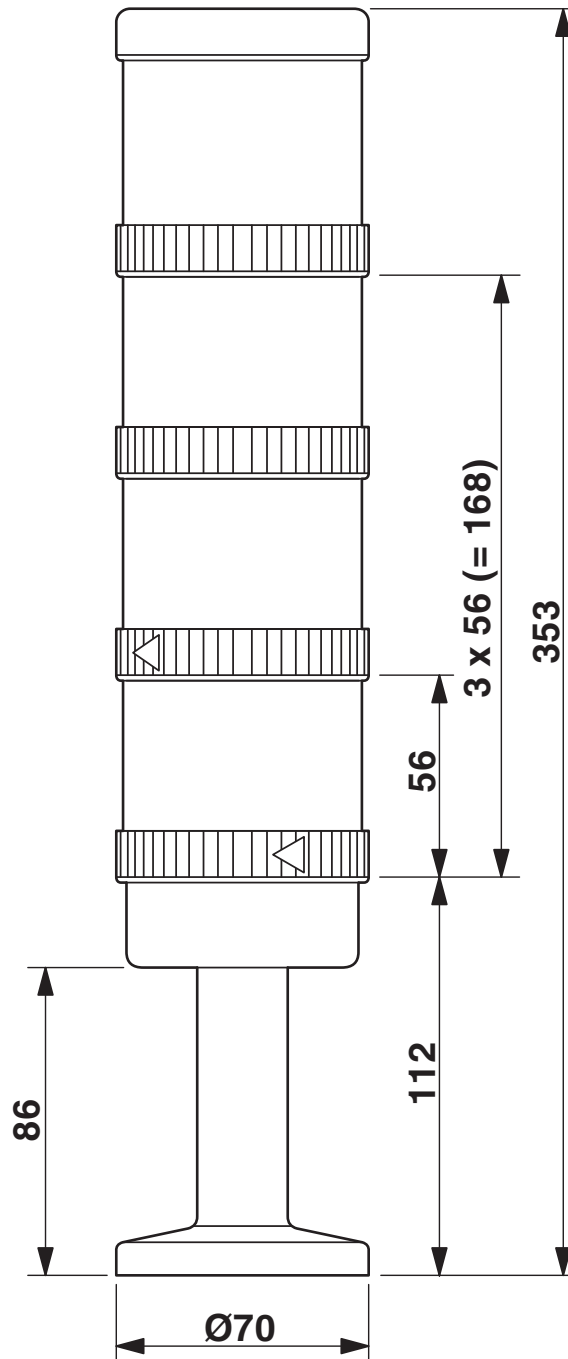
# PSD-S WIN STARTERKIT/UL - Wireless elements

2701564

<https://www.phoenixcontact.com/us/products/2701564>



Dimensional drawing



Signal towers with elements of the starter kit

2701564

<https://www.phoenixcontact.com/us/products/2701564>

## Environmental product compliance

### EU RoHS

Fulfills EU RoHS substance requirements	Yes, No exemptions
---	--------------------

### China RoHS

Environment friendly use period (EFUP)	EFUP-E
	No hazardous substances above the limits

### EU REACH SVHC

REACH candidate substance (CAS No.)	No substance above 0.1 wt%
-------------------------------------	----------------------------

Phoenix Contact 2026 © - all rights reserved  
<https://www.phoenixcontact.com>

Phoenix Contact USA  
586 Fulling Mill Road  
Middletown, PA 17057, United States  
(+717) 944-1300  
[info@phoenixcon.com](mailto:info@phoenixcon.com)