

# Antenna - ANT-DIR-5900-01 - 2701348

Please be informed that the data shown in this PDF Document is generated from our Online Catalog. Please find the complete data in the user's documentation. Our General Terms of Use for Downloads are valid (<http://phoenixcontact.com/download>)

Directional antenna, 5 GHz, gain: 9 dBi, polarization:  $\pm 45^\circ$  dual-slant, opening angle: h/v  $70^\circ/60^\circ$ , degree of protection: IP67, seawater-resistant, connection: 2 x N (female), incl. mounting bracket and mast clips




## Your advantages

- Salt water resistant
- For large distances
- For stationary or linear mobile applications
- For point-to-point connections



## Key Commercial Data

Packing unit	1 pc
GTIN	 4 046356 739405
GTIN	4046356739405

## Technical data

### Dimensions

Caption	Mounting plate
Width	80 mm
Height	101 mm
Length	35 mm

### Ambient conditions

Degree of protection	IP67
Ambient temperature (operation)	-40 °C ... 80 °C
Ambient temperature (storage/transport)	-40 °C ... 80 °C

### General

With connecting cable	No
Frequency range	5 GHz

# Antenna - ANT-DIR-5900-01 - 2701348

## Technical data

### General

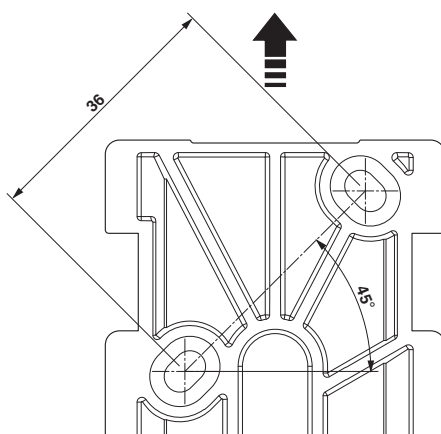
	5.15 GHz ... 5.875 GHz
Horizontal beamwidth	70 ° (at 5 GHz)
Vertical beamwidth	60 ° (at 5 GHz)
Polarization	Linear vertical
Impedance	50 Ω
Gain	9 dBi
Connection method	N (female)
Material	Lexan EXL 9330 (Antenna housing)
	V2A (Bracket)
	V2A (Mast clamp)
Mounting type	Wall mounting
	Mast mounting
External diameter	25 mm ... 85 mm (Mast)

### Environmental Product Compliance

REACH SVHC	Lead 7439-92-1
China RoHS	Environmentally Friendly Use Period = 25;
	For details about hazardous substances go to tab "Downloads", Category "Manufacturer's declaration"

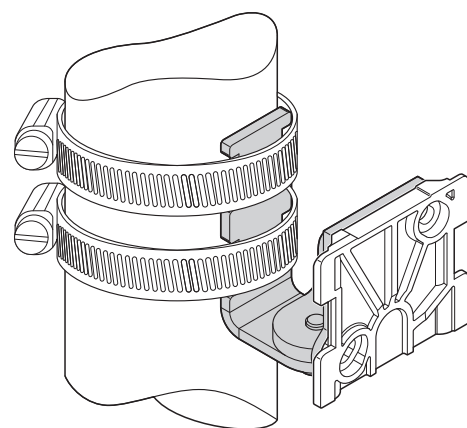
## Drawings

Dimensional drawing



Mounting plate

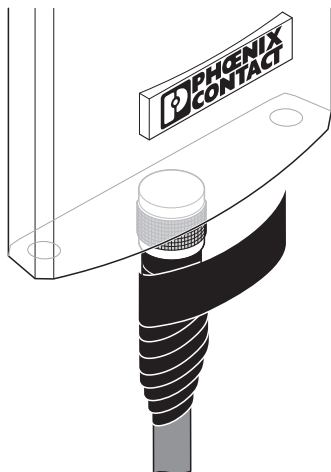
Schematic diagram



Mast mounting

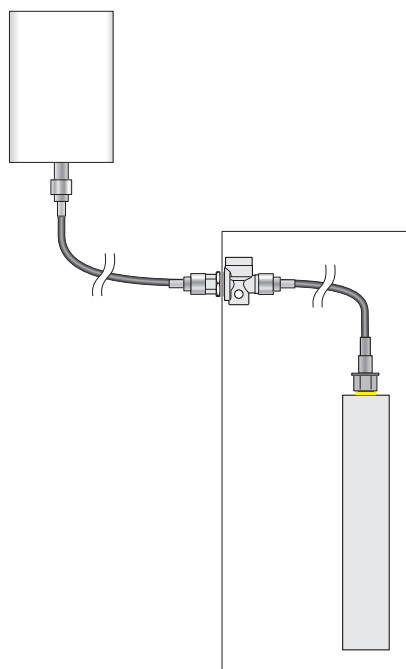
# Antenna - ANT-DIR-5900-01 - 2701348

Schematic diagram



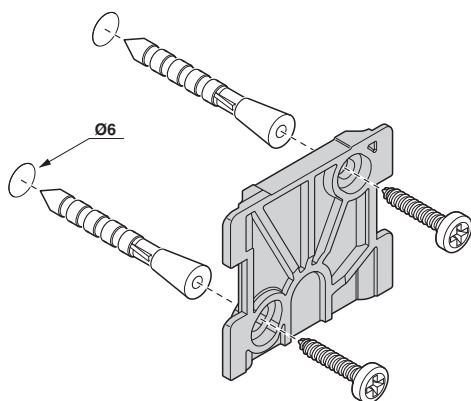
Sealing tape

Schematic diagram



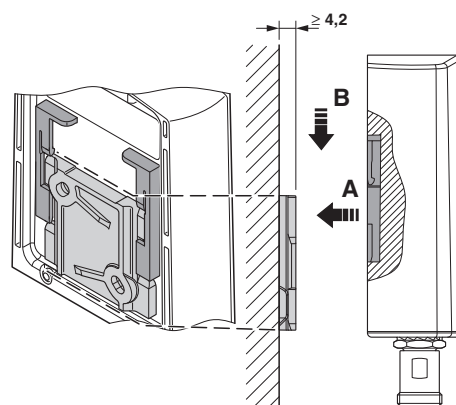
Installation example

Schematic diagram



Mounting plate

Schematic diagram



Wall mounting

## Classifications

eCl@ss

eCl@ss 10.0.1	19070105
eCl@ss 4.0	27240400
eCl@ss 4.1	27240400
eCl@ss 5.0	27242700
eCl@ss 5.1	27242700

## Antenna - ANT-DIR-5900-01 - 2701348

### Classifications

#### eCl@ss

eCl@ss 6.0	27242200
eCl@ss 7.0	19070105
eCl@ss 9.0	19070105

#### ETIM

ETIM 3.0	EC001423
ETIM 4.0	EC000416
ETIM 6.0	EC001698
ETIM 7.0	EC001698

#### UNSPSC

UNSPSC 6.01	20142601
UNSPSC 7.0901	20142601
UNSPSC 11	20142601
UNSPSC 12.01	20142601
UNSPSC 13.2	43221715
UNSPSC 18.0	43221715
UNSPSC 19.0	43221715
UNSPSC 20.0	43221715
UNSPSC 21.0	43221715

Phoenix Contact 2021 © - all rights reserved  
<http://www.phoenixcontact.com>

PHOENIX CONTACT GmbH & Co. KG  
Flachsmarktstr. 8  
32825 Blomberg  
Germany  
Tel. +49 5235 300  
Fax +49 5235 3 41200  
<http://www.phoenixcontact.com>