

ANT-OMNI-5900-01 - Antenna



2701347

<https://www.phoenixcontact.com/us/products/2701347>

Please be informed that the data shown in this PDF document is generated from our online catalog. Please find the complete data in the user documentation. Our general terms of use for downloads are valid.

Omnidirectional antenna for wall or mast mounting, 5 GHz, gain: 5 dBi, degree of protection: IP64, saltwater-resistant, shock- and vibration-resistant, connection: N (female), incl. mounting bracket and mast clamps



Your advantages

- Ideally suited for stationary 5 GHz applications
- Resistant to salt water

Commercial data

Item number	2701347
Packing unit	1 pc
Minimum order quantity	1 pc
Sales key	DN23
Product key	DNN2Z1
GTIN	4046356739399
Weight per piece (including packing)	270.9 g
Weight per piece (excluding packing)	270 g
Customs tariff number	85177100
Country of origin	IN

Technical data

Notes

Note on application

Note on application	Only for industrial use
---------------------	-------------------------

Product properties

Product type	Antenna
Scope of supply	included mounting bracket and mast clamps
Radiation characteristics	Omnidirectional
Gain	5 dBi
Vertical beamwidth	25 °
Horizontal beamwidth	360 °
Polarization	Linear vertical

Electrical properties

Frequency band	5 GHz
Frequency range	5.15 GHz ... 5.83 GHz
Impedance	50 Ω
Maximum capacity	6.00 W
Voltage standing wave ratio VSWR in a 50 Ω system	≤ 1.70

Connection data

Connection technology

Connection method	N (female)
Outside diameter	25 mm ... 100 mm (Mast)

Dimensions

Height	130 mm
Diameter	16 mm

External dimensions

Outside diameter	25 mm ... 100 mm (Mast)
------------------	-------------------------

Material specifications

Material	Fiberglass-reinforced plastic
	V2A
	V2A
Flammability rating according to UL 94	HB

Cable/line

Connecting cable	no
Other resistance	salt water resistant

Environmental and real-life conditions

Ambient conditions

Degree of protection	IP64
Ambient temperature (operation)	-45 °C ... 70 °C
Ambient temperature (storage/transport)	-45 °C ... 70 °C
Wind velocity	220 km/h

Approvals

Electronic devices in rail vehicles

Shock (operation)	IEC 60721-3-4, 4M5
Vibration (operation)	IEC 60721-3-4, 4M5 Random

Standards and regulations

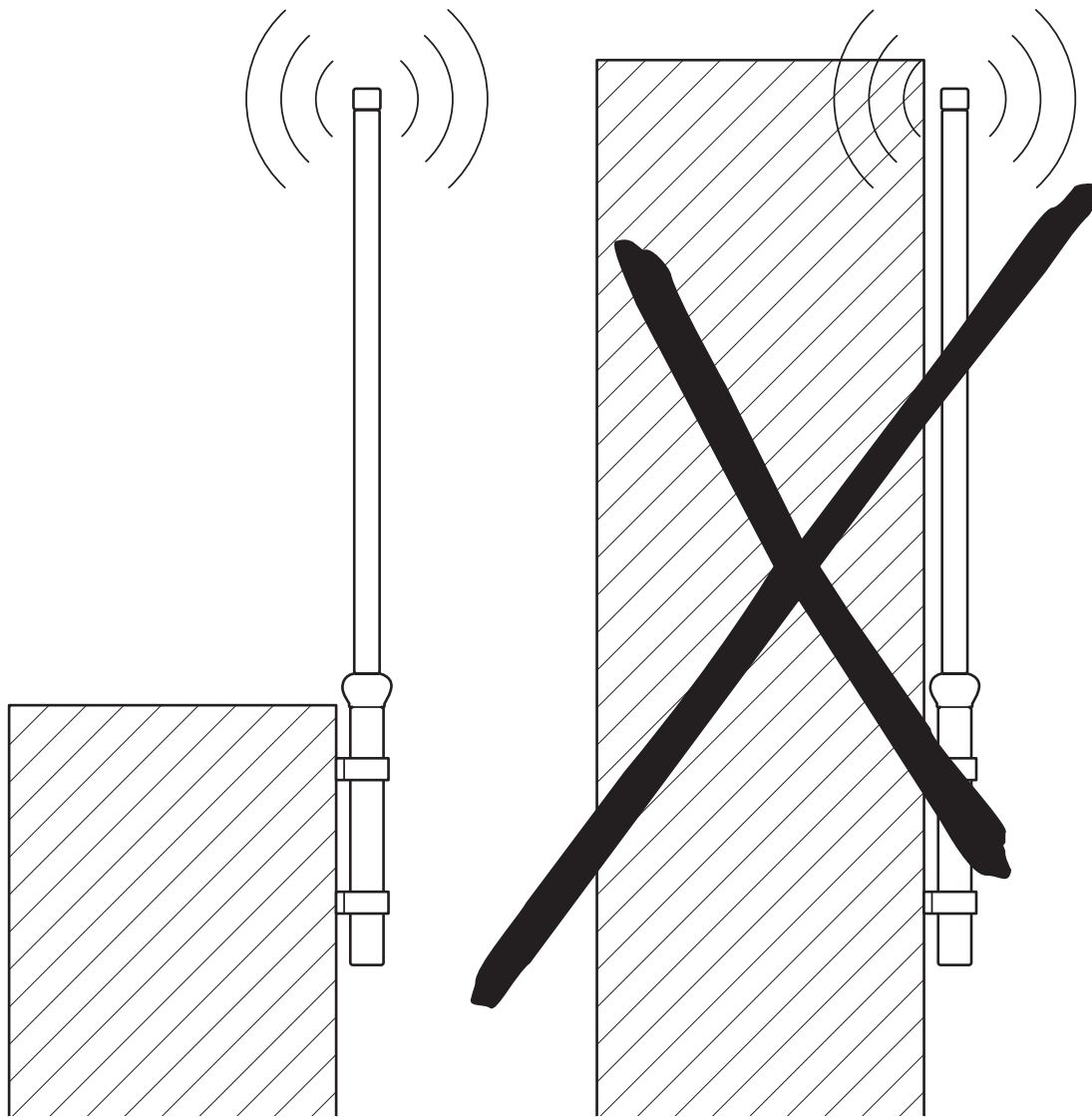
Other resistance	salt water resistant
------------------	----------------------

Mounting

Mounting type	Panel mounting
	Mast mounting
Assembly note	Outdoors and indoors

Drawings

Schematic diagram



Mounting

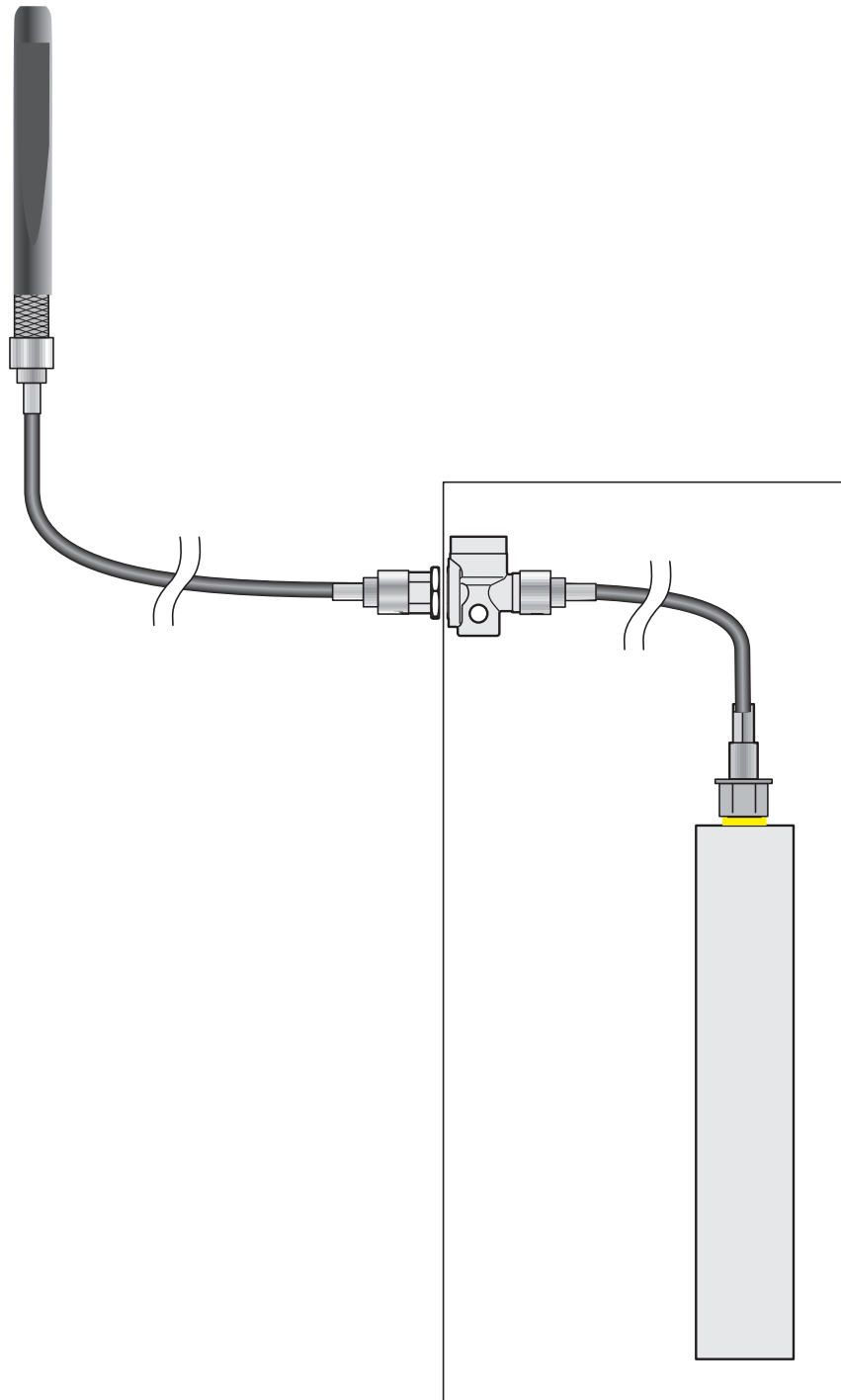
ANT-OMNI-5900-01 - Antenna

2701347

<https://www.phoenixcontact.com/us/products/2701347>



Schematic diagram



Installation example (antenna cable and surge protection available as accessories)

ANT-OMNI-5900-01 - Antenna



2701347

<https://www.phoenixcontact.com/us/products/2701347>

Classifications

ECLASS

ECLASS-13.0	19070105
ECLASS-15.0	19070105

ETIM

ETIM 10.0	EC001698
-----------	----------

UNSPSC

UNSPSC 21.0	43223100
-------------	----------

2701347

<https://www.phoenixcontact.com/us/products/2701347>

Environmental product compliance

EU RoHS

Fulfills EU RoHS substance requirements	Yes
Exemption	6(c)

China RoHS

Environment friendly use period (EFUP)	EFUP-25
	An article-related China RoHS declaration table can be found in the download area for the respective article under "Manufacturer declaration". For all articles with EFUP-E, no China RoHS declaration table issued and required.

EU REACH SVHC

REACH candidate substance (CAS No.)	Lead(CAS: 7439-92-1)
-------------------------------------	----------------------

EF3.1 Climate Change

CO2e kg	12.113 kg CO2e
---------	----------------

Phoenix Contact 2026 © - all rights reserved
<https://www.phoenixcontact.com>

Phoenix Contact USA
586 Fulling Mill Road
Middletown, PA 17057, United States
(+717) 944-1300
info@phoenixcon.com