

AXL F AO8 XC 1F - Analog module

2701237

<https://www.phoenixcontact.com/us/products/2701237>

Please be informed that the data shown in this PDF document is generated from our online catalog. Please find the complete data in the user documentation. Our general terms of use for downloads are valid.



The figure shows the standard item

Axioline F, Analog output module, Analog outputs: 8, 0 V ... 5 V, -5 V ... 5 V, 0 V ... 10 V, -10 V ... 10 V, 0 mA ... 20 mA, 4 mA ... 20 mA, -20 mA ... 20 mA, connection technology: 2-conductor, transmission speed in the local bus: 100 Mbps, Extreme conditions version, degree of protection: IP20, including bus base module and Axioline F connectors

Product description

The module is designed for use within an Axioline F station. It is used to output analog voltage and current signals.

Your advantages

- 8 analog, bipolar output channels for the connection of either voltage or current signals
- Connection of actuators in 2-conductor technology
- Voltage ranges: 0 V ... 10 V, ± 10 V, 0 V ... 5 V, ± 5 V
- Current ranges: 0 mA ... 20 mA, 4 mA ... 20 mA, ± 20 mA
- Short-circuit-proof outputs
- Device rating plate stored
- Can be used under extreme ambient conditions
- Extended temperature range of -40 °C ... +70 °C (see "Tested successfully: use under extreme ambient conditions" in the data sheet)
- Partially coated PCBs

Commercial data

Item number	2701237
Packing unit	1 pc
Minimum order quantity	1 pc
Sales key	DR02
Product key	DRI242
GTIN	4046356729857
Weight per piece (including packing)	264 g
Weight per piece (excluding packing)	260 g
Customs tariff number	85389091
Country of origin	DE

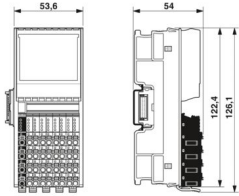
AXL F AO8 XC 1F - Analog module

2701237

<https://www.phoenixcontact.com/us/products/2701237>

Technical data

Dimensions

Dimensional drawing	
Width	53.6 mm
Height	126.1 mm
Depth	54 mm
Note on dimensions	The depth applies when a TH 35-7.5 DIN rail is used (in accordance with EN 60715).

Notes

Note on application	
Note on application	Only for industrial use
Utilization restriction	
EMC note	EMC: class A product, see manufacturer's declaration in the download area

Material specifications

Color (Housing)	gray (RAL 7042)
-----------------	-----------------

Interfaces

Axioline F local bus	
Number of interfaces	2
Connection method	Bus base module
Transmission speed	100 Mbps

System properties

Programming data (LocalbusSlave)	
Input address area	16 Byte
Output address area	16 Byte
Fieldbus data telegram	
Required parameter data	26 Byte
Required configuration data	7 Byte

Output data

Analog:	
---------	--

AXL F AO8 XC 1F - Analog module



2701237

<https://www.phoenixcontact.com/us/products/2701237>

Output name	Analog outputs
Connection method	Push-in connection
Connection technology	2-conductor
Note regarding the connection technology	shielded, twisted pair
Number of outputs	8
D/A conversion time	5 μ s
D/A converter resolution	16 bit
Protective circuit	Short-circuit and overload protection; electronic Transient protection; Suppressor diode
Data formats	IB IL, S7-compatible
Representation of output values	16 bits (15 bits + sign)
Process data update	300 μ s
Current output signal	0 mA ... 20 mA 4 mA ... 20 mA -20 mA ... 20 mA
Load/output load current output	to 500 Ω
Voltage output signal	0 V ... 5 V -5 V ... 5 V 0 V ... 10 V -10 V ... 10 V
Load/output load voltage output	> 2 k Ω
Permissible cable length	max. 250 m (Reference cable type LiYCY (TP) n*2*0.5 mm ²)

Product properties

Product type	I/O component
Product family	Axioline F
Type	block modular
Mounting position	any (observe temperature derating)
Scope of supply	including bus base module and Axioline F connectors
Special properties	Extreme conditions version

Insulation characteristics

Overvoltage category	II (IEC 60664-1, EN 60664-1)
Pollution degree	2 (IEC 60664-1, EN 60664-1)

Electrical properties

Maximum power dissipation for nominal condition	6.3 W
---	-------

Potentials: Axioline F local bus supply (U_{BUS})

Supply voltage	5 V DC (via bus base module)
Current draw	max. 130 mA (up to HW 02) max. 50 mA (from HW 03) typ. 105 mA (up to HW 02) typ. 40 mA (from HW 03)

AXL F AO8 XC 1F - Analog module



2701237

<https://www.phoenixcontact.com/us/products/2701237>

Potentials: Supply for analog modules (U_A)

Supply voltage	24 V DC
Supply voltage range	19.2 V DC ... 30 V DC (including all tolerances, including ripple)
Current draw	max. 235 mA (8 current channels, 20 mA output) typ. 110 mA (8 voltage channels, 10 V output)
Current consumption	typ. 50 mA (internal current consumption, no load, 0 V output)
Protective circuit	Surge protection; electronic (35 V, 0.5 s) Reverse polarity protection; up to HW 01: polarity protection diode from HW 02: parallel diode; with external 5 A fuse (for startup only) Transient protection; Suppressor diode

Electrical isolation/isolation of the voltage ranges

Test voltage: 5 V supply of the local bus (U_{BUS}) / 24 V supply (I/Os)	500 V AC, 50 Hz, 1 min
Test voltage: 5 V supply of the local bus (U_{BUS})/analog outputs	500 V AC, 50 Hz, 1 min
Test voltage: 5 V supply of the local bus (U_{BUS}) / functional ground	500 V AC, 50 Hz, 1 min
Test voltage: 24 V supply (I/O)/analog outputs	500 V AC, 50 Hz, 1 min
Test voltage: 24 V supply (I/O) / functional ground	500 V AC, 50 Hz, 1 min
Test voltage: Analog outputs/functional ground	500 V AC, 50 Hz, 1 min

Connection data

Connection technology

Connection name	Axioline F connector
Note on the connection method	Please observe the information provided on conductor cross-sections in the "Axioline F: system and installation" user manual.

Axioline F connector

Connection method	Push-in connection
Note on the connection method	Please observe the information provided on conductor cross-sections in the "Axioline F: system and installation" user manual.
Conductor cross-section, rigid	0.2 mm ² ... 1.5 mm ²
Conductor cross-section, flexible	0.2 mm ² ... 1.5 mm ²
Conductor cross-section AWG	24 ... 16
Stripping length	8 mm

Environmental and real-life conditions

Ambient conditions

Ambient temperature (operation)	-25 °C ... 60 °C (Standard) -40 °C ... 70 °C (Extended, see section "Tested successfully: use under extreme ambient conditions" in the data sheet.)
Degree of protection	IP20
Air pressure (operation)	70 kPa ... 106 kPa (up to 3000 m above sea level)
Air pressure (storage/transport)	70 kPa ... 106 kPa (up to 3000 m above sea level)
Ambient temperature (storage/transport)	-40 °C ... 85 °C

AXL F AO8 XC 1F - Analog module



2701237

<https://www.phoenixcontact.com/us/products/2701237>

Permissible humidity (operation)	5 % ... 95 % (non-condensing)
Permissible humidity (storage/transport)	5 % ... 95 % (non-condensing)

Mechanical test

Vibration resistance in accordance with EN 60068-2-6/IEC 60068-2-6	5g
Shock in accordance with EN 60068-2-27/IEC 60068-2-27	30g
Continuous shock in accordance with EN 60068-2-27/IEC 60068-2-27	10g

Test (noxious gas)

Test standard	ISA-71.04-2013 G3 Harsh Group A IEC 60068-2-60:2015 Method 4
Temperature	25 °C ±1 K
Humidity (relative)	75 % ±3 %
Test duration	21 Days
Volume concentration H ₂ S (Hydrogen sulfide)	50 ppb
Volume concentration NO ₂ (Nitrogen dioxide)	1250 ppb
Volume concentration Cl ₂ (Chlorine)	10 ppb
Volume concentration SO ₂ (Sulfur dioxide)	300 ppb

Standards and regulations

Protection class	III (IEC 61140, EN 61140, VDE 0140-1)
------------------	---------------------------------------

Mounting

Mounting type	DIN rail mounting
Mounting position	any (observe temperature derating)

AXL F AO8 XC 1F - Analog module

2701237

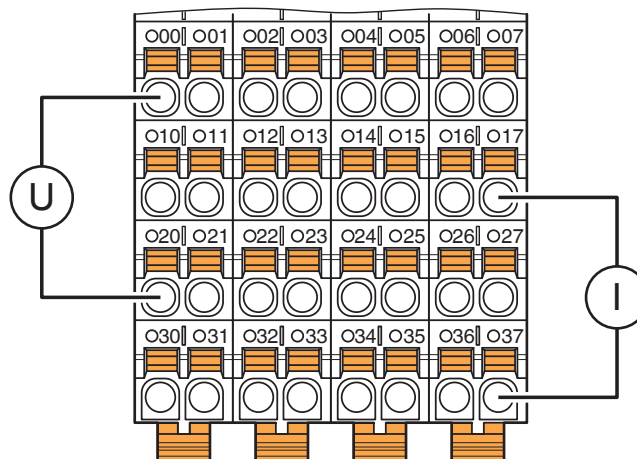
<https://www.phoenixcontact.com/us/products/2701237>

Drawings

Dimensional drawing



Connection diagram



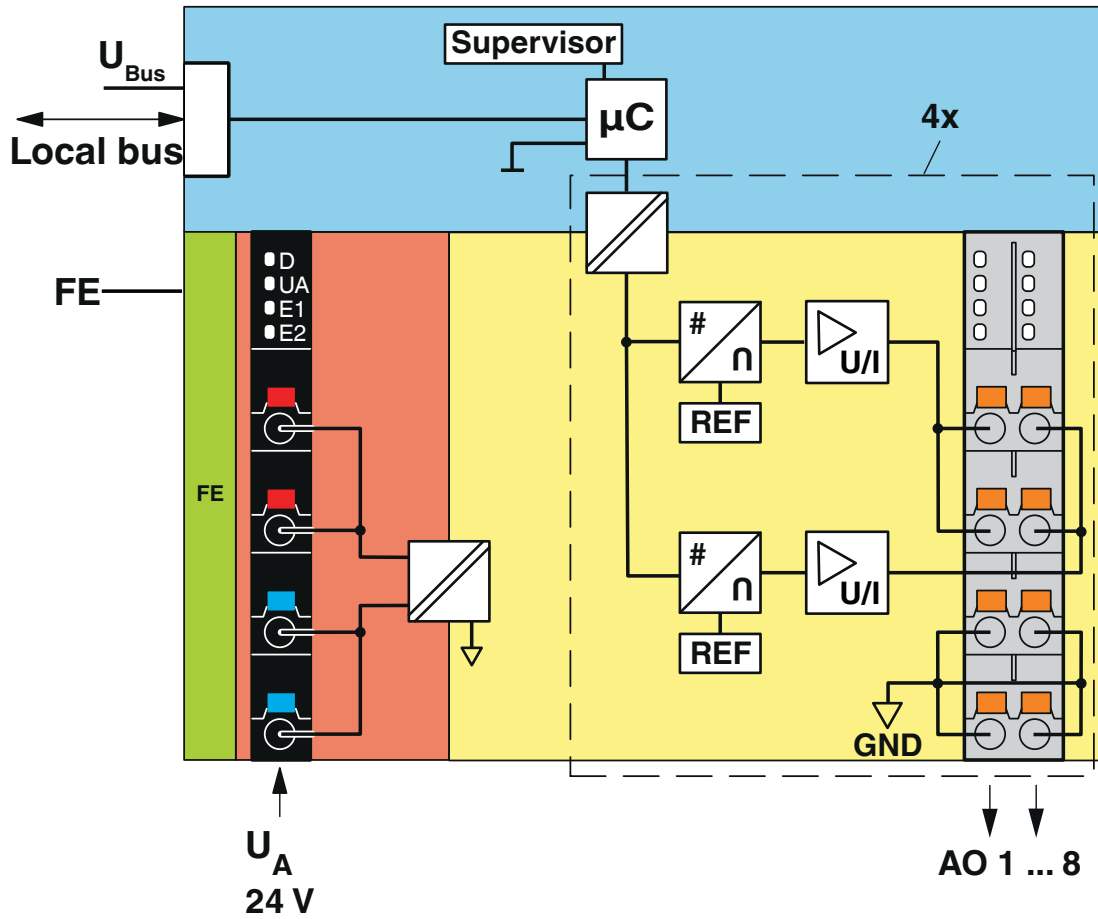
Connection for voltage and current output

AXL F AO8 XC 1F - Analog module

2701237

<https://www.phoenixcontact.com/us/products/2701237>

Block diagram



Internal wiring of the terminal points

AXL F AO8 XC 1F - Analog module



2701237

<https://www.phoenixcontact.com/us/products/2701237>

Approvals

To download certificates, visit the product detail page: <https://www.phoenixcontact.com/us/products/2701237>



DNV GL

Approval ID: TAA00000DF



LR

Approval ID: LR2480202TA-02



PRS

Approval ID: TE/1020/880590/21

BSH

Approval ID: 840



cULus Listed

Approval ID: E238705



RINA

Approval ID: ELE008423XG001

AXL F AO8 XC 1F - Analog module



2701237

<https://www.phoenixcontact.com/us/products/2701237>

Classifications

ECLASS

ECLASS-13.0	27242601
ECLASS-15.0	27242601

ETIM

ETIM 10.0	EC001596
-----------	----------

UNSPSC

UNSPSC 21.0	32151600
-------------	----------

AXL F AO8 XC 1F - Analog module



2701237

<https://www.phoenixcontact.com/us/products/2701237>

Environmental product compliance

EU RoHS

Fulfills EU RoHS substance requirements	Yes
Exemption	7(a), 7(c)-I

China RoHS

Environment friendly use period (EFUP)	EFUP-50
	An article-related China RoHS declaration table can be found in the download area for the respective article under "Manufacturer declaration". For all articles with EFUP-E, no China RoHS declaration table issued and required.

EU REACH SVHC

REACH candidate substance (CAS No.)	Lead(CAS: 7439-92-1)
	6,6'-di-tert-butyl-2,2'-methylenedi-p-cresol(CAS: 119-47-1)
SCIP	a1ba20ce-e3b8-4f85-81e9-d45f66b48b5a

Phoenix Contact 2026 © - all rights reserved
<https://www.phoenixcontact.com>

Phoenix Contact USA
586 Fulling Mill Road
Middletown, PA 17057, United States
(+717) 944-1300
info@phoenixcon.com