

FL RUGGED BOX - Control box



2701204

<https://www.phoenixcontact.com/us/products/2701204>

Please be informed that the data shown in this PDF document is generated from our online catalog. Please find the complete data in the user documentation. Our general terms of use for downloads are valid.



Control box for robust construction of wireless systems for industrial applications, IP66, 25 x 18 x 13 cm, polycarbonate material, gray, drilled, incl. DIN rail, plugs, and screw connections, without devices

Commercial data

Item number	2701204
Packing unit	1 pc
Minimum order quantity	1 pc
Sales key	DN23
Product key	DNN2WZ
GTIN	4046356724128
Weight per piece (including packing)	1,624.6 g
Weight per piece (excluding packing)	1,400 g
Customs tariff number	85389099
Country of origin	DE

FL RUGGED BOX - Control box



2701204

<https://www.phoenixcontact.com/us/products/2701204>

Technical data

Notes

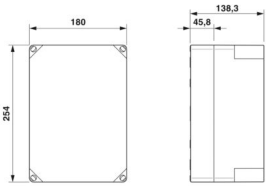
Note on application

Note on application	Only for industrial use
---------------------	-------------------------

Product properties

Product type	Control box
--------------	-------------

Dimensions

Dimensional drawing	
Width	174 mm
Height	254 mm
Depth	137 mm

Material specifications

Color (Housing)	light gray (RAL 7035)
Housing material	PC

Environmental and real-life conditions

Ambient conditions

Degree of protection	IP66
----------------------	------

FL RUGGED BOX - Control box

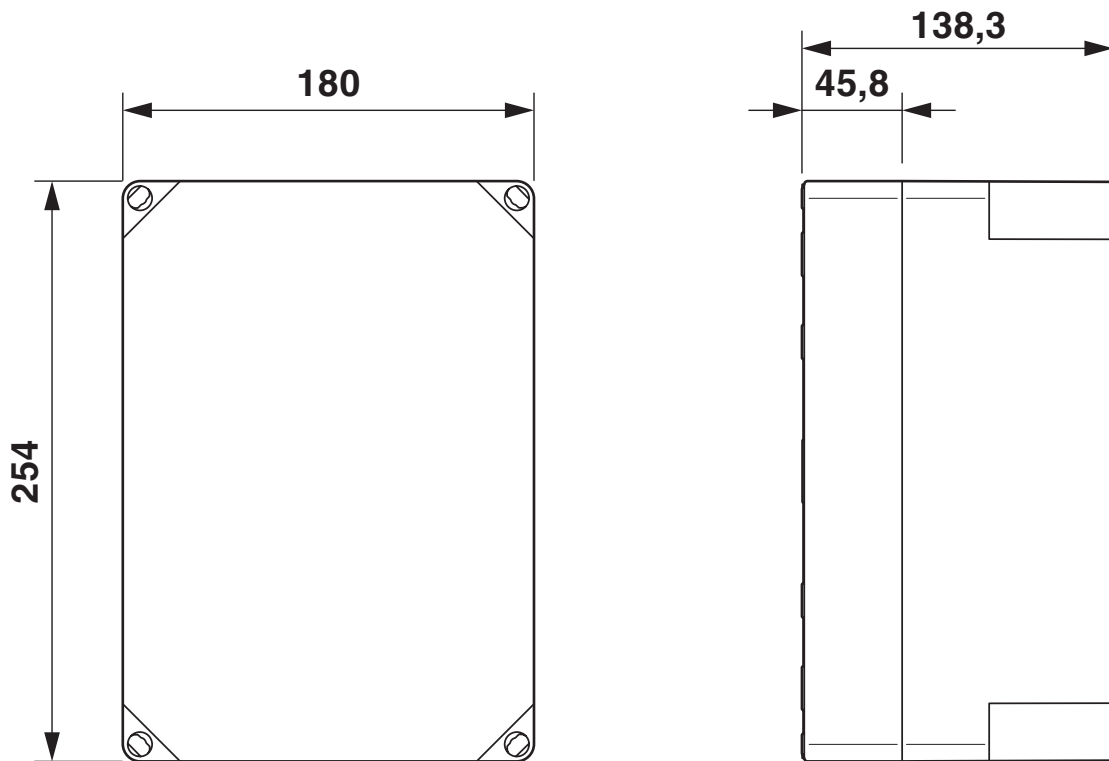
2701204

<https://www.phoenixcontact.com/us/products/2701204>



Drawings

Dimensional drawing



FL RUGGED BOX - Control box



2701204

<https://www.phoenixcontact.com/us/products/2701204>

Classifications

ECLASS

ECLASS-15.0	27180590
ECLASS-13.0	27180590

ETIM

ETIM 10.0	EC000261
-----------	----------

UNSPSC

UNSPSC 21.0	31261500
-------------	----------

FL RUGGED BOX - Control box



2701204

<https://www.phoenixcontact.com/us/products/2701204>

Environmental product compliance

EU RoHS

Fulfills EU RoHS substance requirements	Not applicable, No electrical and electronic equipment (EEE), cannot be used in EEE
---	---

EU REACH SVHC

REACH candidate substance (CAS No.)	No substance above 0.1 wt%
-------------------------------------	----------------------------

EF3.1 Climate Change

CO2e kg	0.637 kg CO2e
---------	---------------

Phoenix Contact 2026 © - all rights reserved
<https://www.phoenixcontact.com>

Phoenix Contact USA
586 Fulling Mill Road
Middletown, PA 17057, United States
(+717) 944-1300
info@phoenixcon.com