

AXL E IOL RTD1 M12 S - Analog module

2700352

<https://www.phoenixcontact.com/us/products/2700352>

Please be informed that the data shown in this PDF document is generated from our online catalog. Please find the complete data in the user documentation. Our general terms of use for downloads are valid.



Axioline E IO-Link/analog converter for connecting a temperature measuring resistor, M12 connectors, straight version

Product description

The IO-Link/analog converter is an IO-Link device that converts analog signals into the IO-Link protocol. It therefore enables you to acquire the signals of analog sensors via an IO-Link master.

Your advantages

- Connection to an IO-Link master with M12 connector (A-coded, 4-pos.)
- 1 IO-Link interface
- IO-Link A port
- IO-Link specification V1.1.1
- Straight version
- 1 analog input for connecting resistance temperature detectors (RTDs)
- Connection of the sensor in 3- or 4-conductor technology via an M12 connector (A-coded, 5-pos.)
- Voltage range: 0 V ... 10 V
- Functional ground connection for local connection to functional ground
- Supply of the module electronics and the sensor via the IO-Link interface of the IO-Link master
- Local status indicator
- IP65/IP67 degree of protection

Commercial data

Item number	2700352
Packing unit	1 pc
Minimum order quantity	1 pc
Sales key	DR04
Product key	DRI7Z5
GTIN	4046356782661
Weight per piece (including packing)	51.4 g
Weight per piece (excluding packing)	34 g
Customs tariff number	85176200
Country of origin	DE

Technical data

Notes

Note on application

Note on application	Only for industrial use
---------------------	-------------------------

Utilization restriction

EMC note	EMC: class A product, see manufacturer's declaration in the download area
----------	---

Product properties

Product type	Interface converter
Product family	Axioline E
Type	Stand-alone Axioline E
Diagnostics messages	Overrange or underrange Message in the diagnostic code (in the IB IL format)
	Measured value invalid/no valid measured value present Message in the diagnostic code (in the IB IL format)
	Configuration invalid Message in the diagnostic code (in the IB IL format)
	Module faulty Message in the diagnostic code (in the IB IL format)

Insulation characteristics

Pollution degree	2
------------------	---

Electrical properties

Supply: IO-Link

Nominal voltage for I/O supply	24 V DC (This supply voltage is provided via the IO-Link interface of the IO-Link master.)
Current consumption	typ. 16.5 mA ±15 % (at 24 V DC)
	max. 25 mA
Protective circuit	Reverse polarity protection
	Short-circuit protection
	Overload protection

Input data

Analog:

Input name	Analog RTD input
Description of the input	Input for resistive temperature sensors
Number of inputs	1 (for resistance temperature detectors)
Connection method	M12 connector, A-coded
Connection technology	3-conductor (4-conductor as an option)
A/D converter resolution	12 bit

AXL E IOL RTD1 M12 S - Analog module



2700352

<https://www.phoenixcontact.com/us/products/2700352>

Sensor types (RTD) that can be used	Pt 100, Pt 1000
Tolerance, relative	< 0.3 % (Of the measuring range final value in the nominal range)
Data formats	IB IL, S7-compatible
Linear resistance measuring range	0 Ω ... 500 Ω (IB IL format)
	0 Ω ... 5 kΩ (IB IL format)
	0 Ω ... 600 Ω (Format S7 compatible)
	0 Ω ... 6 kΩ (Format S7 compatible)
Protective circuit	Reverse polarity protection
	Short-circuit protection
	Overload protection

IO-Link

Number of ports	1
Connection method	M12 connector, A-coded
Connection technology	3-conductor
Specification	V1.1.1
Reverse polarity protection	yes
Cycle Time	min. 2 ms
Amount of process data	16 bit (Input data)
	16 bit (Output data)

Signaling

Diagnostic messages

Diagnostics	Overrange or underrange
Message	Message in the diagnostic code (in the IB IL format)

Diagnostic messages

Diagnostics	Measured value invalid/no valid measured value present
Message	Message in the diagnostic code (in the IB IL format)

Diagnostic messages

Diagnostics	Configuration invalid
Message	Message in the diagnostic code (in the IB IL format)

Diagnostic messages

Diagnostics	Module faulty
Message	Message in the diagnostic code (in the IB IL format)

Dimensions

Dimensional drawing	
Width	16.6 mm

AXL E IOL RTD1 M12 S - Analog module



2700352

<https://www.phoenixcontact.com/us/products/2700352>

Height	29 mm
Depth	79.5 mm

Material specifications

Color (Housing)	anthracite gray (RAL 7016)
-----------------	----------------------------

Environmental and real-life conditions

Ambient conditions

Ambient temperature (operation)	-25 °C ... 60 °C
Degree of protection	IP65/IP67
Air pressure (operation)	70 kPa ... 106 kPa (up to 3000 m above sea level)
Air pressure (storage/transport)	70 kPa ... 106 kPa (up to 3000 m above sea level)
Ambient temperature (storage/transport)	-25 °C ... 85 °C
Permissible humidity (operation)	5 % ... 95 %
Permissible humidity (storage/transport)	5 % ... 95 %

Mechanical test

Vibration resistance in accordance with EN 60068-2-6/IEC 60068-2-6	Operation: 2g
	Storage/transport: 5g
Shock in accordance with EN 60068-2-27/IEC 60068-2-27	Operation: 30g, 11 ms, three shocks in each space direction
	Storage/transport: 50g, 11 ms, three shocks in each space direction
Continuous shock in accordance with EN 60068-2-27/IEC 60068-2-27	10g, 16 ms, 1000 shocks, in all space directions

Standards and regulations

Protection class	III (IEC 61140, EN 61140, VDE 0140-1)
------------------	---------------------------------------

Mounting

Mounting type	Screw mounting (M12 thread)
---------------	-----------------------------

AXL E IOL RTD1 M12 S - Analog module

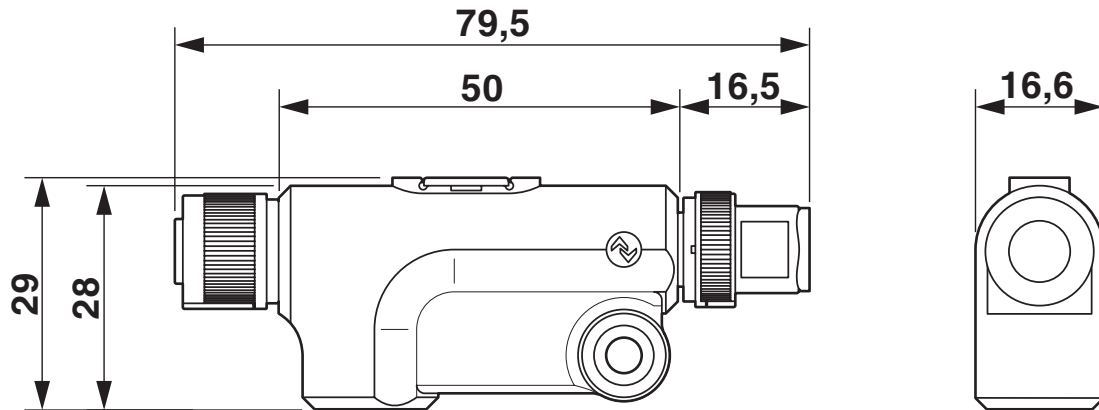
2700352

<https://www.phoenixcontact.com/us/products/2700352>

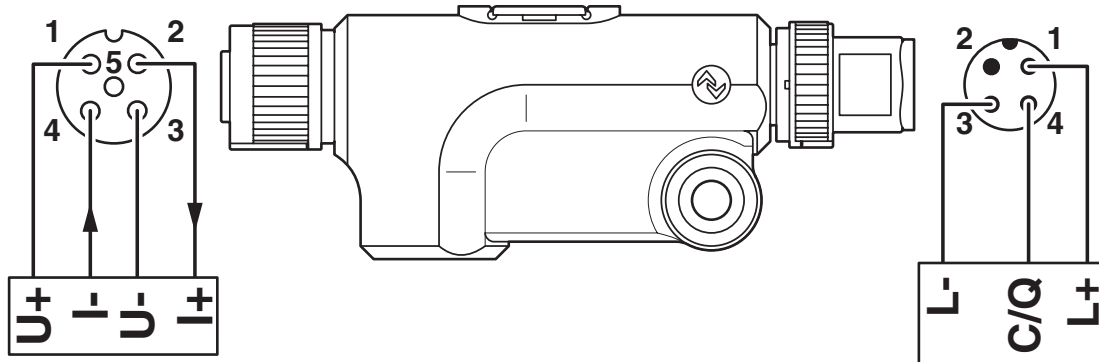


Drawings

Dimensional drawing



Connection diagram

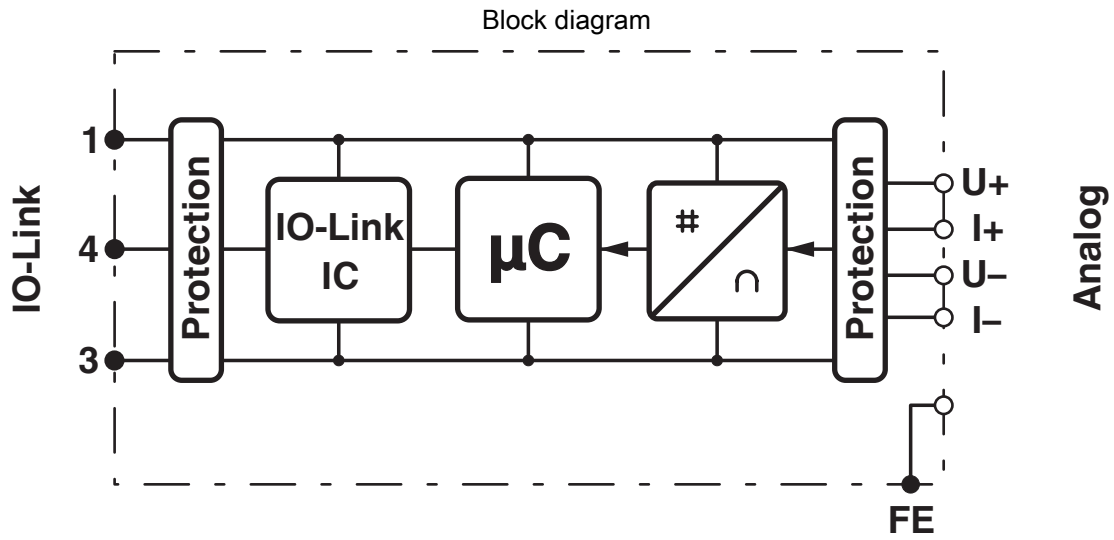


AXL E IOL RTD1 M12 S - Analog module



2700352

<https://www.phoenixcontact.com/us/products/2700352>



AXL E IOL RTD1 M12 S - Analog module



2700352

<https://www.phoenixcontact.com/us/products/2700352>

Approvals

To download certificates, visit the product detail page: <https://www.phoenixcontact.com/us/products/2700352>



cULus Listed

Approval ID: E140324

AXL E IOL RTD1 M12 S - Analog module



2700352

<https://www.phoenixcontact.com/us/products/2700352>

Classifications

ECLASS

ECLASS-13.0	27242601
ECLASS-15.0	27242601

ETIM

ETIM 10.0	EC001596
-----------	----------

UNSPSC

UNSPSC 21.0	32151600
-------------	----------

AXL E IOL RTD1 M12 S - Analog module



2700352

<https://www.phoenixcontact.com/us/products/2700352>

Environmental product compliance

EU RoHS

Fulfills EU RoHS substance requirements	Yes
Exemption	6(c)

China RoHS

Environment friendly use period (EFUP)	EFUP-50
	An article-related China RoHS declaration table can be found in the download area for the respective article under "Manufacturer declaration". For all articles with EFUP-E, no China RoHS declaration table issued and required.

EU REACH SVHC

REACH candidate substance (CAS No.)	Lead(CAS: 7439-92-1)
SCIP	3bf1604a-1c4a-4431-bb6e-2a6c190bb04b

Phoenix Contact 2026 © - all rights reserved

<https://www.phoenixcontact.com>

Phoenix Contact USA
586 Fulling Mill Road
Middletown, PA 17057, United States
(+717) 944-1300
info@phoenixcon.com