

# TRK 1,5/ 2 OG - Transformer terminal block



2700324

<https://www.phoenixcontact.com/us/products/2700324>

Please be informed that the data shown in this PDF document is generated from our online catalog. Please find the complete data in the user documentation. Our general terms of use for downloads are valid.



Transformer terminal block, connection method: Screw connection, length: 28.5 mm, width: 15 mm, height: 19 mm, color: orange

## Commercial data

|                                      |               |
|--------------------------------------|---------------|
| Item number                          | 2700324       |
| Packing unit                         | 50 pc         |
| Minimum order quantity               | 50 pc         |
| Sales key                            | AA18          |
| Product key                          | AARAAA        |
| GTIN                                 | 4017918324063 |
| Weight per piece (including packing) | 5.833 g       |
| Weight per piece (excluding packing) | 5.833 g       |
| Customs tariff number                | 85369010      |
| Country of origin                    | GR            |

# TRK 1,5/ 2 OG - Transformer terminal block



2700324

<https://www.phoenixcontact.com/us/products/2700324>

## Technical data

### Notes

|         |  |
|---------|--|
| General | For transformers on ships, saltwater-proof DIN rails must be used according to the regulations of Germanic Lloyd. This requirement is fulfilled by all rail designs.   |
| General | When selecting the type of connection on safety transformers in acc. with IEC 742/EN 60742/DIN VDE 0551-1, please observe:<br>- When safety transformers are used as self-contained devices, only screw connections are permitted for the external connections.<br>- When installing safety transformers, the specifications of the respective devices must be observed. |

### Product properties

|                       |                            |
|-----------------------|----------------------------|
| Product type          | Distributor terminal block |
| Number of positions   | 2                          |
| Number of connections | 4                          |
| Number of rows        | 1                          |

### Insulation characteristics

|                      |     |
|----------------------|-----|
| Overvoltage category | III |
| Degree of pollution  | 3   |

### Electrical properties

|                          |   |
|--------------------------|---|
| Maximum load current     | 17.5 A (with 1,5 mm <sup>2</sup> cross section) |
| Rated insulation voltage | 800 V   |
| Rated surge voltage      | 8 kV  |

### Connection data

|   |   |
|---|---|
| Maximum load current  | 17.5 A (with 1,5 mm <sup>2</sup> cross section) |
| Connection method   | Screw connection                                |
| Screw thread  | M3  |
| Tightening torque   | 0.6 ... 0.8 Nm                                  |
| Stripping length  | 9 mm<br>9 mm                                    |
| Internal cylindrical gage   | A1  |
| Connection in acc. with standard  | IEC / EN  |
| Conductor cross-section rigid   | 0.5 mm <sup>2</sup> ... 1.5 mm <sup>2</sup>     |
| Cross section AWG   | 20 ... 16 (converted acc. to IEC)               |
| Conductor cross-section flexible  | 0.75 mm <sup>2</sup> ... 1.5 mm <sup>2</sup>    |
| Conductor cross-section flexible (ferrule without plastic sleeve)                   | 0.5 mm <sup>2</sup> ... 1.5 mm <sup>2</sup>     |
| Flexible conductor cross-section (ferrule with plastic sleeve)                      | 0.5 mm <sup>2</sup> ... 1.5 mm <sup>2</sup>     |
| 2 conductors with same cross section, rigid   | 0.5 mm <sup>2</sup> ... 1.5 mm <sup>2</sup>     |
| 2 conductors with same cross section, flexible                                      | 0.75 mm <sup>2</sup> ... 1.5 mm <sup>2</sup>    |
| 2 conductors with same cross section, flexible, with ferrule without plastic sleeve | 0.5 mm <sup>2</sup> ... 1.5 mm <sup>2</sup>     |

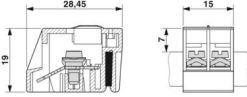
# TRK 1,5/ 2 OG - Transformer terminal block

2700324

<https://www.phoenixcontact.com/us/products/2700324>

|   |  |
|---|--|
| 2 conductors with the same cross section, flexible, with TWIN ferrule with plastic sleeve | 0.5 mm <sup>2</sup> ... 1 mm <sup>2</sup>                          |
| Maximum load current  | 17.5 A   |
| Nominal voltage   | 800 V (voltage data only possible in conjunction with transformer) |

## Dimensions

|                     |  |
|---------------------|--|
| Dimensional drawing |  |
| Width               | 15 mm  |
| Height              | 19 mm  |
| Length              | 28.5 mm  |

## Material specifications

|  |                   |
|--|-------------------|
| Color (Housing)                        | orange (RAL 2003) |
| Flammability rating according to UL 94 | V2                |
| Insulating material group              | I                 |
| Insulating material                    | PA                |

## Standards and regulations

|                                  |          |
|----------------------------------|----------|
| Connection in acc. with standard | IEC / EN |
|----------------------------------|----------|

## Mounting

|               |          |
|---------------|----------|
| Mounting type | DIN rail |
|---------------|----------|

## Packaging specifications

|                   |                     |
|-------------------|---------------------|
| Type of packaging | packed in cardboard |
|-------------------|---------------------|

# TRK 1,5/ 2 OG - Transformer terminal block

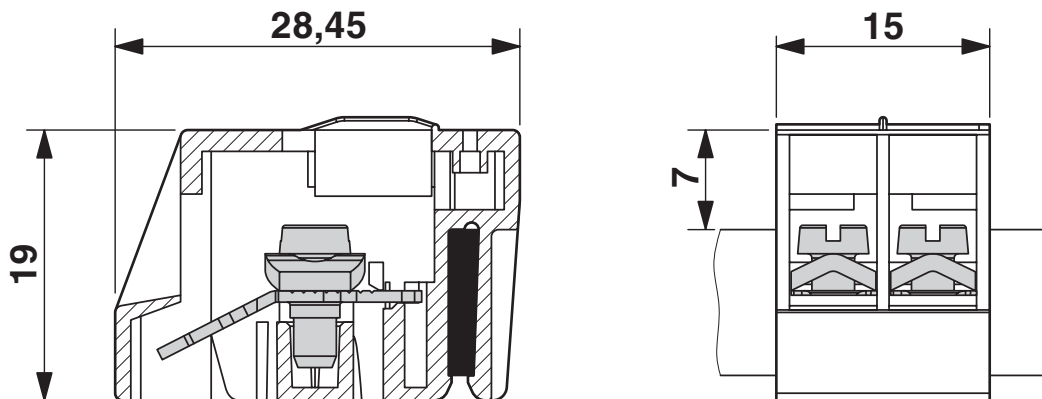


2700324

<https://www.phoenixcontact.com/us/products/2700324>

## Drawings

Dimensional drawing



# TRK 1,5/ 2 OG - Transformer terminal block





2700324

<https://www.phoenixcontact.com/us/products/2700324>

## Approvals

To download certificates, visit the product detail page: <https://www.phoenixcontact.com/us/products/2700324>

|  <b>cUL Recognized</b><br>Approval ID: FILE E 60425 |                       |                       |                   |                             |
|--|-----------------------|-----------------------|-------------------|-----------------------------|
|  | Nominal voltage $U_N$ | Nominal current $I_N$ | Cross section AWG | Cross section $\text{mm}^2$ |
| B  | 300 V                 | 15 A                  | 22 - 14           | -                           |
| C  | 300 V                 | 15 A                  | 22 - 14           | -                           |

|  <b>UL Recognized</b><br>Approval ID: FILE E 60425 |                       |                       |                   |                             |
|---|-----------------------|-----------------------|-------------------|-----------------------------|
|   | Nominal voltage $U_N$ | Nominal current $I_N$ | Cross section AWG | Cross section $\text{mm}^2$ |
| B   | 300 V                 | 15 A                  | 22 - 14           | -                           |
| C   | 300 V                 | 15 A                  | 22 - 14           | -                           |

# TRK 1,5/ 2 OG - Transformer terminal block



2700324

<https://www.phoenixcontact.com/us/products/2700324>

## Classifications

### ECLASS

|             |          |
|-------------|----------|
| ECLASS-13.0 | 27141110 |
| ECLASS-15.0 | 27141110 |

### UNSPSC

|             |          |
|-------------|----------|
| UNSPSC 21.0 | 39121410 |
|-------------|----------|

# TRK 1,5/ 2 OG - Transformer terminal block



2700324

<https://www.phoenixcontact.com/us/products/2700324>

## Environmental product compliance

### EU RoHS

|   |                    |
|---|--------------------|
| Fulfills EU RoHS substance requirements | Yes, No exemptions |
|---|--------------------|

### China RoHS

|  |  |
|--|--|
| Environment friendly use period (EFUP) | EFUP-E                                   |
|  | No hazardous substances above the limits |

### EU REACH SVHC

|                                     |                            |
|-------------------------------------|----------------------------|
| REACH candidate substance (CAS No.) | No substance above 0.1 wt% |
|-------------------------------------|----------------------------|

Phoenix Contact 2026 © - all rights reserved  
<https://www.phoenixcontact.com>

Phoenix Contact USA  
586 Fulling Mill Road  
Middletown, PA 17057, United States  
(+717) 944-1300  
[info@phoenixcon.com](mailto:info@phoenixcon.com)