

AXL E IOL AO1 I M12 R - Analog module

2700282

<https://www.phoenixcontact.com/us/products/2700282>

Please be informed that the data shown in this PDF document is generated from our online catalog. Please find the complete data in the user documentation. Our general terms of use for downloads are valid.

Axioline E IO-Link/analog converter for connecting an analog actuator, 4 mA ... 20 mA, M12 connectors, angled version



Product description

The IO-Link/analog converter is an IO-Link device that converts the IO-Link protocol into analog signals. It therefore enables you to transmit signals to analog actuators via an IO-Link master.

Your advantages

- Connection to an IO-Link master with M12 connector (A-coded, 4-pos.)
- 1 IO-Link interface
- IO-Link A port
- IO-Link specification V1.1.1
- Angled version
- 1 analog output
- Connection of the actuator in 3-conductor technology via M12 connector (A-coded, 5-pos.)
- Current range: 4 mA ... 20 mA
- Functional ground connection for local connection to functional ground
- Supply of the module electronics and the actuator via the IO-Link interface of the IO-Link master
- Local status indicator
- IP65/IP67 degree of protection

Commercial data

Item number	2700282
Packing unit	1 pc
Minimum order quantity	1 pc
Sales key	DR04
Product key	DRI7Z5
GTIN	4046356782609
Weight per piece (including packing)	50.3 g
Weight per piece (excluding packing)	34 g
Customs tariff number	85176200
Country of origin	DE

2700282

<https://www.phoenixcontact.com/us/products/2700282>

Technical data

Notes

Note on application

Note on application	Only for industrial use
---------------------	-------------------------

Product properties

Product type	Interface converter
Product family	Axioline E
Type	Stand-alone Axioline E
Diagnostics messages	Short circuit Message in the diagnostic code (in the IB IL format) Configuration invalid Message in the diagnostic code (in the IB IL format) Module faulty Message in the diagnostic code (in the IB IL format)

Insulation characteristics

Pollution degree	2
------------------	---

Electrical properties

Supply: IO-Link

Nominal voltage for I/O supply	24 V DC (This supply voltage is provided via the IO-Link interface of the IO-Link master.)
Nominal current for every IO-Link port	max. 100 mA
Current consumption	typ. 16.5 mA \pm 15 % (at 24 V DC) max. 135 mA
Protective circuit	Reverse polarity protection Short-circuit protection Overload protection

Input data

IO-Link

Number of ports	1
Connection method	M12 connector, A-coded
Connection technology	3-conductor
Specification	V1.1.1
Reverse polarity protection	yes
Cycle Time	min. 2 ms
Amount of process data	16 bit (Input data) 16 bit (Output data)

Output data

AXL E IOL AO1 I M12 R - Analog module



2700282

<https://www.phoenixcontact.com/us/products/2700282>

Analog:

Output name	Analog output
Connection method	M12 connector, A-coded
Connection technology	3-conductor
Number of outputs	1 (current)
D/A converter resolution	12 bit
Data formats	IB IL, S7-compatible
Current output signal	4 mA ... 20 mA
Load/output load current output	max. 500 Ω
Permissible cable length	max. 30 m (Shielded cable)

Signaling

Diagnostic messages

Diagnostics	Short circuit
Message	Message in the diagnostic code (in the IB IL format)

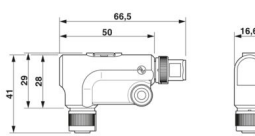
Diagnostic messages

Diagnostics	Configuration invalid
Message	Message in the diagnostic code (in the IB IL format)

Diagnostic messages

Diagnostics	Module faulty
Message	Message in the diagnostic code (in the IB IL format)

Dimensions

Dimensional drawing	
Width	16.6 mm
Height	42 mm
Depth	66.5 mm

Material specifications

Color (Housing)	anthracite gray (RAL 7016)
-----------------	----------------------------

Environmental and real-life conditions

Ambient conditions

Ambient temperature (operation)	-25 °C ... 60 °C
Degree of protection	IP65/IP67
Air pressure (operation)	70 kPa ... 106 kPa (up to 3000 m above sea level)
Air pressure (storage/transport)	70 kPa ... 106 kPa (up to 3000 m above sea level)
Ambient temperature (storage/transport)	-25 °C ... 85 °C

AXL E IOL AO1 I M12 R - Analog module



2700282

<https://www.phoenixcontact.com/us/products/2700282>

Permissible humidity (operation)	5 % ... 95 %
Permissible humidity (storage/transport)	5 % ... 95 %

Mechanical test

Vibration resistance in accordance with EN 60068-2-6/IEC 60068-2-6	Operation: 2g
	Storage/transport: 5g
Shock in accordance with EN 60068-2-27/IEC 60068-2-27	Operation: 30g, 11 ms, three shocks in each space direction
	Storage/transport: 50g, 11 ms, three shocks in each space direction
Continuous shock in accordance with EN 60068-2-27/IEC 60068-2-27	10g, 16 ms, 1000 shocks, in all space directions

Standards and regulations

Protection class	III (IEC 61140, EN 61140, VDE 0140-1)
------------------	---------------------------------------

Mounting

Mounting type	Screw mounting (M12 thread)
---------------	-----------------------------

AXL E IOL AO1 I M12 R - Analog module

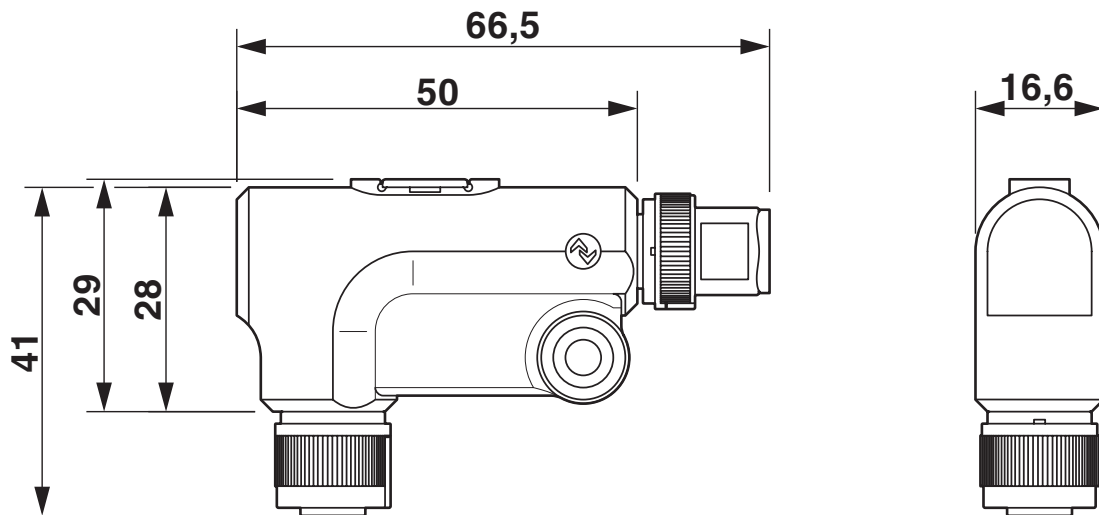
2700282

<https://www.phoenixcontact.com/us/products/2700282>

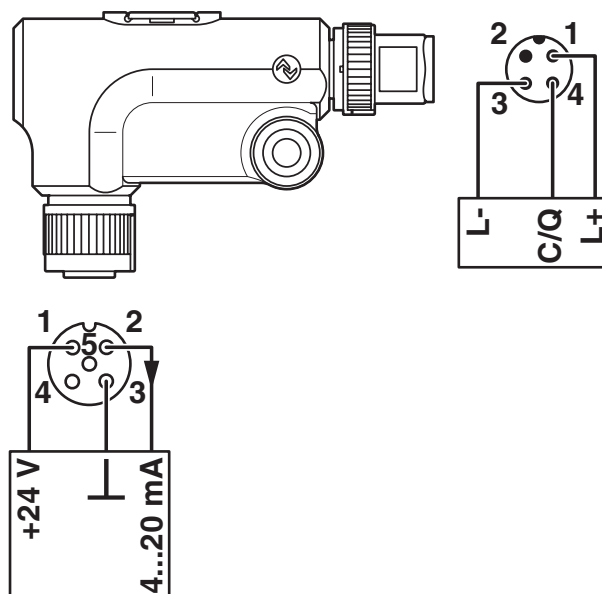


Drawings

Dimensional drawing



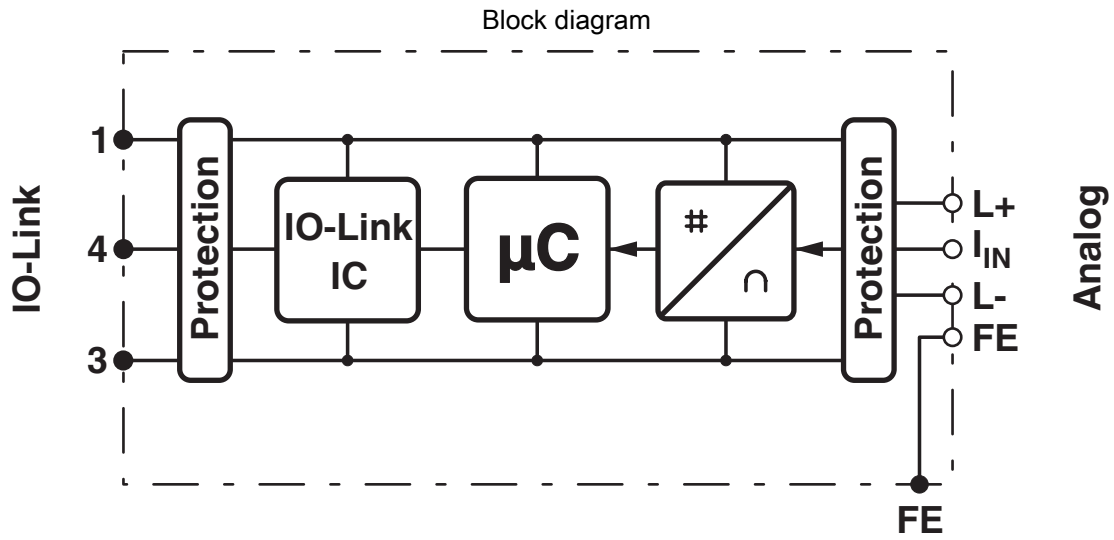
Connection diagram



AXL E IOL AO1 I M12 R - Analog module

2700282

<https://www.phoenixcontact.com/us/products/2700282>



AXL E IOL AO1 I M12 R - Analog module



2700282

<https://www.phoenixcontact.com/us/products/2700282>

Approvals

To download certificates, visit the product detail page: <https://www.phoenixcontact.com/us/products/2700282>



cULus Listed

Approval ID: E140324

AXL E IOL AO1 I M12 R - Analog module



2700282

<https://www.phoenixcontact.com/us/products/2700282>

Classifications

ECLASS

ECLASS-13.0	27242601
ECLASS-15.0	27242601

ETIM

ETIM 10.0	EC001596
-----------	----------

UNSPSC

UNSPSC 21.0	32151600
-------------	----------

2700282

<https://www.phoenixcontact.com/us/products/2700282>

Environmental product compliance

EU RoHS

Fulfills EU RoHS substance requirements	Yes
Exemption	6(c)

China RoHS

Environment friendly use period (EFUP)	EFUP-50
	An article-related China RoHS declaration table can be found in the download area for the respective article under "Manufacturer declaration". For all articles with EFUP-E, no China RoHS declaration table issued and required.

EU REACH SVHC

REACH candidate substance (CAS No.)	Lead(CAS: 7439-92-1)
SCIP	e0e0542a-ce3b-4fc7-8d73-35b8a7ef3e90

Phoenix Contact 2026 © - all rights reserved

<https://www.phoenixcontact.com>

Phoenix Contact USA
586 Fulling Mill Road
Middletown, PA 17057, United States
(+717) 944-1300
info@phoenixcon.com