

IB IL 24 PWR IN/R/L-0.8A-PAC - Feed-in module



2693020

<https://www.phoenixcontact.com/us/products/2693020>

Please be informed that the data shown in this PDF document is generated from our online catalog. Please find the complete data in the user documentation. Our general terms of use for downloads are valid.

Inline boost terminal for the communications power U_L of 0.8 A, complete with accessories (connectors and labeling field)



Product description

The terminal is designed for use within an Inline station. If the maximum load of the bus coupler for the communications power (U_L) is reached, this terminal can be used to provide this voltage again. To do this, apply a 24 V DC voltage (U_{24V}) to the terminal. The communications power (U_L) is generated from this voltage.

Your advantages

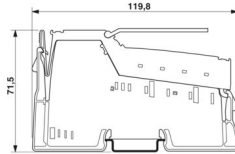
- Supply of the 24 V voltage for generating the communications power (U_L) up to 0.8 A

Commercial data

Item number	2693020
Packing unit	1 pc
Minimum order quantity	1 pc
Sales key	DR01
Product key	DRI123
GTIN	4046356447416
Weight per piece (including packing)	80.2 g
Weight per piece (excluding packing)	65 g
Customs tariff number	85389099
Country of origin	DE

Technical data

Dimensions

Dimensional drawing	
Width	12.2 mm
Height	119.8 mm
Depth	71.5 mm

Notes

Note on application

Note on application	Only for industrial use
---------------------	-------------------------

Utilization restriction

CCcex note	Use in potentially explosive areas is not permitted in China.
------------	---

Material specifications

Color (Housing)	green (RAL 6021)
-----------------	------------------

Interfaces

Inline local bus

Number of interfaces	2
Connection method	Inline data jumper
Transmission speed	500 kbps / 2 Mbps (Can be used in Inline stations with these transmission speeds)

System properties

Programming data (LocalbusSlave)

ID code (dec.)	none
Register length (bus)	0 Byte

Fieldbus data telegram (PROFIBUS)

Required parameter data	0 Byte
Required configuration data	0 Byte

Product properties

Product type	I/O component
Product family	Inline
Type	modular

IB IL 24 PWR IN/R/L-0.8A-PAC - Feed-in module



2693020

<https://www.phoenixcontact.com/us/products/2693020>

Installation location	Control cabinet
Number of plugs	1
Special properties	24 V DC
	Boost U_L (0.8 A)

Insulation characteristics

Protection class	III (IEC 61140, EN 61140, VDE 0140-1)
Overvoltage category	II (IEC 60664-1, EN 60664-1)
Pollution degree	2 (IEC 60664-1, EN 60664-1)

Electrical properties

Maximum power dissipation for nominal condition	0.6 W
Test section	7.5 V communications power, 24 V analog supply/functional ground 500 V AC 50 Hz 1 min
	7.5 V logics supply, 24 V analog supply / 24 V main supply, 24 V segment supply 500 V AC 50 Hz 1 min
	24 V main supply, 24 V segment supply/functional ground 500 V AC 50 Hz 1 min
Protective circuit	Surge protection; Input protective diodes (can be destroyed by permanent overload)Pulse loads up to 1500 W are short circuited by the input protective diode.
	Protection against polarity reversal (segment supply/main supply); Serial diode in the lead path of the power supply unit; in the event of an error only a low current flows. In the event of an error, no fuse trips within the external power supply unit.
Fuse	electrical/thermal overload protection, included in scope of delivery

Supply

I/O voltage	24 V DC
I/O voltage range	19.2 V DC ... 30 V DC (including all tolerances, including ripple)
Max. current consumption	274 mA (at nominal voltage)

Potentials: 24 V supply (U_{24V}) for generating U_L

Supply voltage	24 V DC (via Inline connector)
Supply voltage range	19.2 V DC ... 30 V DC (including all tolerances, including ripple)
Current draw	max. 274 mA DC (at nominal voltage)
	min. 13 mA DC (at nominal voltage)

Potentials: Communications power (U_L)

Supply voltage	7.5 V DC (via voltage jumper)
Power supply	max. 0.8 A DC

Connection data

Connection technology

Connection name	Inline connector
-----------------	------------------

Inline connector

Connection method	Spring-cage connection
-------------------	------------------------

IB IL 24 PWR IN/R/L-0.8A-PAC - Feed-in module



2693020

<https://www.phoenixcontact.com/us/products/2693020>

Conductor cross-section, rigid	0.08 mm ² ... 1.5 mm ²
Conductor cross-section, flexible	0.08 mm ² ... 1.5 mm ²
Conductor cross-section AWG	28 ... 16
Stripping length	8 mm

Environmental and real-life conditions

Ambient conditions

Degree of protection	IP20
Ambient temperature (operation)	-25 °C ... 55 °C
Ambient temperature (storage/transport)	-25 °C ... 85 °C
Permissible humidity (operation)	10 % ... 95 % (non-condensing)
Permissible humidity (storage/transport)	10 % ... 95 % (non-condensing)
Air pressure (operation)	70 kPa ... 106 kPa (up to 3000 m above sea level)
Air pressure (storage/transport)	70 kPa ... 106 kPa (up to 3000 m above sea level)

Mechanical test

Vibration resistance in accordance with EN 60068-2-6/IEC 60068-2-6	5g
Shock in accordance with EN 60068-2-27/IEC 60068-2-27	25g

Standards and regulations

Protection class	III (IEC 61140, EN 61140, VDE 0140-1)
------------------	---------------------------------------

Mounting

Mounting type	DIN rail mounting
---------------	-------------------

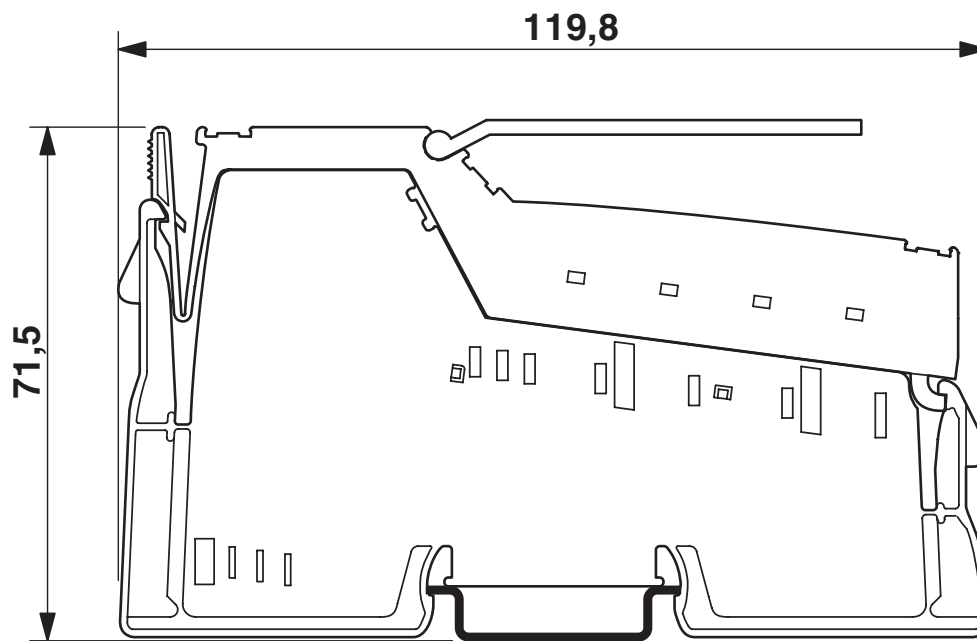
IB IL 24 PWR IN/R/L-0.8A-PAC - Feed-in module

2693020

<https://www.phoenixcontact.com/us/products/2693020>

Drawings

Dimensional drawing



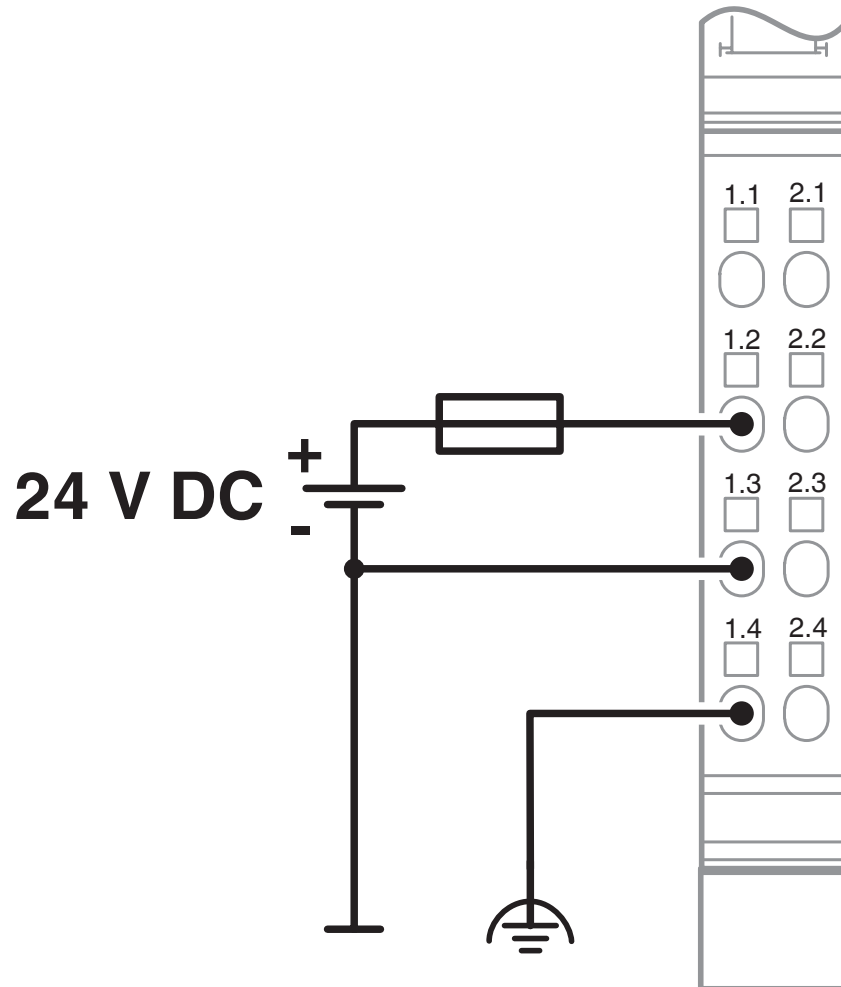
IB IL 24 PWR IN/R/L-0.8A-PAC - Feed-in module



2693020

<https://www.phoenixcontact.com/us/products/2693020>

Connection diagram



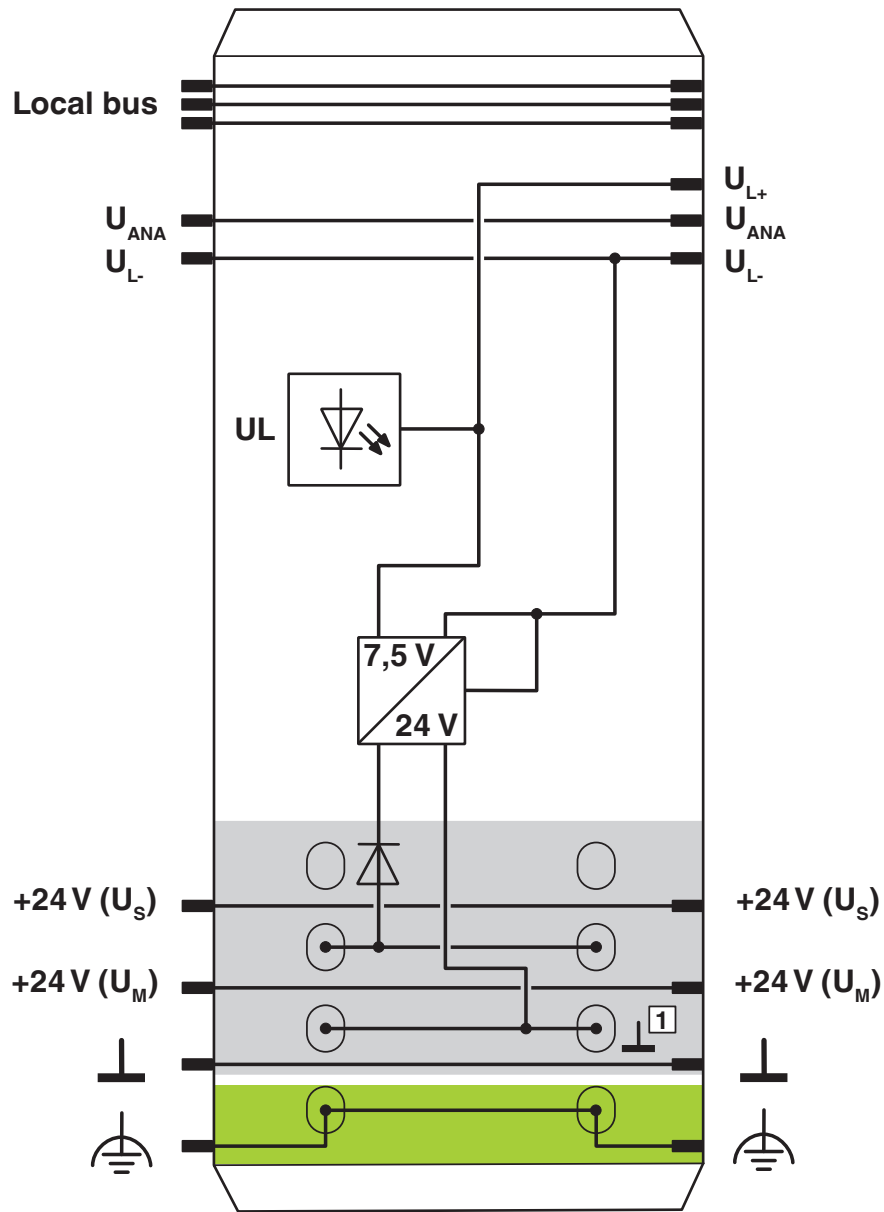
IB IL 24 PWR IN/R/L-0.8A-PAC - Feed-in module

2693020

<https://www.phoenixcontact.com/us/products/2693020>



Block diagram




Internal wiring of the terminal points

2693020

<https://www.phoenixcontact.com/us/products/2693020>

Approvals

 To download certificates, visit the product detail page: <https://www.phoenixcontact.com/us/products/2693020>

BSH

Approval ID: 658a



RINA

Approval ID: ELE121121XG

ABS

Approval ID: 22-2226444-PDA

DNV

Approval ID: TAA00002CU



cULus Listed

Approval ID: E140324



BV

Approval ID: 20989_C1 BV

IB IL 24 PWR IN/R/L-0.8A-PAC - Feed-in module



2693020

<https://www.phoenixcontact.com/us/products/2693020>

Classifications

ECLASS

ECLASS-13.0	27242610
ECLASS-15.0	27242610

ETIM

ETIM 10.0	EC001600
-----------	----------

UNSPSC

UNSPSC 21.0	32151600
-------------	----------

2693020

<https://www.phoenixcontact.com/us/products/2693020>

Environmental product compliance

EU RoHS

Fulfills EU RoHS substance requirements	Yes
Exemption	7(a), 7(c)-I

China RoHS

Environment friendly use period (EFUP)	EFUP-50
	An article-related China RoHS declaration table can be found in the download area for the respective article under "Manufacturer declaration". For all articles with EFUP-E, no China RoHS declaration table issued and required.

EU REACH SVHC

REACH candidate substance (CAS No.)	Lead(CAS: 7439-92-1)
SCIP	3a8eadf2-83e4-4193-b45e-0c2161d6c17a

EF3.1 Climate Change

CO2e kg	2.061 kg CO2e
---------	---------------

Phoenix Contact 2026 © - all rights reserved
<https://www.phoenixcontact.com>

Phoenix Contact USA
 586 Fulling Mill Road
 Middletown, PA 17057, United States
 (+717) 944-1300
info@phoenixcon.com