

AXL F AO4 1H - Analog module

2688527

<https://www.phoenixcontact.com/us/products/2688527>

Please be informed that the data shown in this PDF document is generated from our online catalog. Please find the complete data in the user documentation. Our general terms of use for downloads are valid.



Axioline F, Analog output module, Analog outputs: 4, 0 V ... 5 V, -5 V ... 5 V, 0 V ... 10 V, -10 V ... 10 V, 0 mA ... 20 mA, 4 mA ... 20 mA, connection technology: 2-conductor, transmission speed in the local bus: 100 Mbps, degree of protection: IP20, including bus base module and Axioline F connectors

Product description

The module is designed for use within an Axioline F station. It is used to output analog voltage and current signals.

Your advantages

- 4 analog output channels for the connection of either voltage or current signals
- Bipolar voltage outputs, unipolar current outputs
- Connection of actuators in 2-conductor technology
- Voltage ranges: 0 V ... 10 V, ± 10 V, 0 V ... 5 V, ± 5 V
- Current ranges: 0 mA ... 20 mA, 4 mA ... 20 mA
- Short-circuit-proof outputs
- No derating in all ranges
- Short signal rise times
- Driving of high loads
- Device rating plate stored

Commercial data

Item number	2688527
Packing unit	1 pc
Minimum order quantity	1 pc
Sales key	DR02
Product key	DRI242
GTIN	4046356744256
Weight per piece (including packing)	197 g
Weight per piece (excluding packing)	145 g
Customs tariff number	85389091
Country of origin	DE

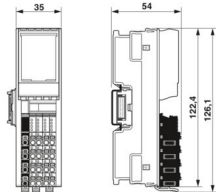
AXL F AO4 1H - Analog module

2688527

<https://www.phoenixcontact.com/us/products/2688527>

Technical data

Dimensions

Dimensional drawing	
Width	35 mm
Height	126.1 mm
Depth	54 mm
Note on dimensions	The depth applies when a TH 35-7.5 DIN rail is used (in accordance with EN 60715).

Notes

Note on application

Note on application	Only for industrial use
---------------------	-------------------------

Material specifications

Color (Housing)	gray (RAL 7042)
-----------------	-----------------

Interfaces

Axioline F local bus

Number of interfaces	2
Connection method	Bus base module
Transmission speed	100 Mbps

System properties

Programming data (LocalbusSlave)

Input address area	8 Byte
Output address area	8 Byte

Fieldbus data telegram

Required parameter data	14 Byte
Required configuration data	7 Byte

Output data

Analog:

Output name	Analog outputs
Connection method	Push-in connection
Connection technology	2-conductor

AXL F AO4 1H - Analog module



2688527

<https://www.phoenixcontact.com/us/products/2688527>

Note regarding the connection technology	shielded, twisted pair
Number of outputs	4
D/A converter resolution	16 bit
Protective circuit	Short-circuit and overload protection; electronic
Data formats	IB IL, S7-compatible
Representation of output values	16 bits (15 bits + sign)
Process data update	140 μ s
Current output signal	0 mA ... 20 mA 4 mA ... 20 mA
Load/output load current output	$\leq 500 \Omega$
Voltage output signal	0 V ... 5 V -5 V ... 5 V 0 V ... 10 V -10 V ... 10 V
Load/output load voltage output	$\geq 1 \text{ k}\Omega$

Product properties

Product type	I/O component
Product family	Axioline F
Type	block modular
Mounting position	any (no temperature derating)
Scope of supply	including bus base module and Axioline F connectors

Insulation characteristics

Overvoltage category	II (IEC 60664-1, EN 60664-1)
Pollution degree	2 (IEC 60664-1, EN 60664-1)

Electrical properties

Maximum power dissipation for nominal condition	3.4 W
---	-------

Potentials: Axioline F local bus supply (U_{Bus})

Supply voltage	5 V DC (via bus base module)
Current draw	max. 150 mA typ. 120 mA

Potentials: Supply for analog modules (U_A)

Supply voltage	24 V DC
Supply voltage range	19.2 V DC ... 30 V DC (including all tolerances, including ripple)
Current draw	max. 125 mA (4 current channels, 24 mA output, 500 Ω load) typ. 60 mA (4 voltage channels, 10 V output) max. 85 mA (4 voltage channels, 10 V output) max. 110 mA (4 current channels, 20 mA output, 500 Ω load)
Current consumption	min. 40 mA (internal current consumption, no load, 0 V output)
Protective circuit	Surge protection; electronic (35 V, 0.5 s) Reverse polarity protection; Polarity protection diode

AXL F AO4 1H - Analog module



2688527

<https://www.phoenixcontact.com/us/products/2688527>

	Transient protection; Suppressor diode
Electrical isolation/isolation of the voltage ranges	
Test voltage: 5 V supply of the local bus (U_{BUS}) / 24 V supply (I/Os)	500 V AC, 50 Hz, 1 min
Test voltage: 5 V supply of the local bus (U_{BUS})/analog outputs	500 V AC, 50 Hz, 1 min
Test voltage: 5 V supply of the local bus (U_{BUS}) / functional ground	500 V AC, 50 Hz, 1 min
Test voltage: 24 V supply (I/O)/analog outputs	500 V AC, 50 Hz, 1 min
Test voltage: 24 V supply (I/O) / functional ground	500 V AC, 50 Hz, 1 min
Test voltage: Analog outputs/functional ground	500 V AC, 50 Hz, 1 min

Connection data

Connection technology

Connection name	Axioline F connector
Note on the connection method	Please observe the information provided on conductor cross-sections in the "Axioline F: system and installation" user manual.

Axioline F connector

Connection method	Push-in connection
Note on the connection method	Please observe the information provided on conductor cross-sections in the "Axioline F: system and installation" user manual.
Conductor cross-section, rigid	0.2 mm ² ... 1.5 mm ²
Conductor cross-section, flexible	0.2 mm ² ... 1.5 mm ²
Conductor cross-section AWG	24 ... 16
Stripping length	8 mm

Environmental and real-life conditions

Ambient conditions

Ambient temperature (operation)	-25 °C ... 60 °C
Degree of protection	IP20
Air pressure (operation)	70 kPa ... 106 kPa (up to 3000 m above sea level)
Air pressure (storage/transport)	70 kPa ... 106 kPa (up to 3000 m above sea level)
Ambient temperature (storage/transport)	-40 °C ... 85 °C
Permissible humidity (operation)	5 % ... 95 % (non-condensing)
Permissible humidity (storage/transport)	5 % ... 95 % (non-condensing)

Mechanical test

Vibration resistance in accordance with EN 60068-2-6/IEC 60068-2-6	5g
Shock in accordance with EN 60068-2-27/IEC 60068-2-27	30g
Continuous shock in accordance with EN 60068-2-27/IEC 60068-2-27	10g

Standards and regulations

Protection class	III (IEC 61140, EN 61140, VDE 0140-1)
------------------	---------------------------------------

AXL F AO4 1H - Analog module

2688527

<https://www.phoenixcontact.com/us/products/2688527>



Mounting

Mounting type	DIN rail mounting
Mounting position	any (no temperature derating)

AXL F AO4 1H - Analog module

2688527

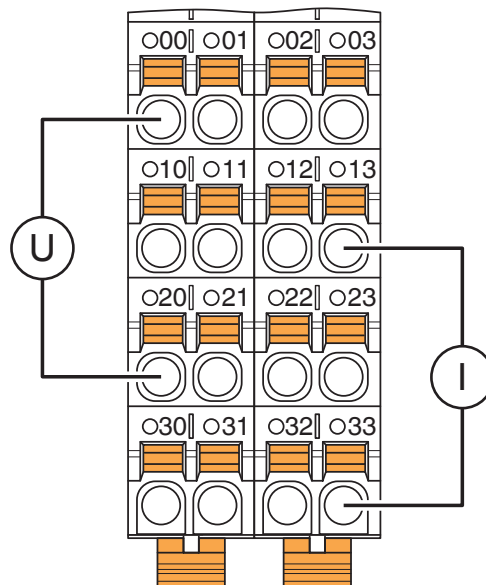
<https://www.phoenixcontact.com/us/products/2688527>

Drawings

Dimensional drawing



Connection diagram



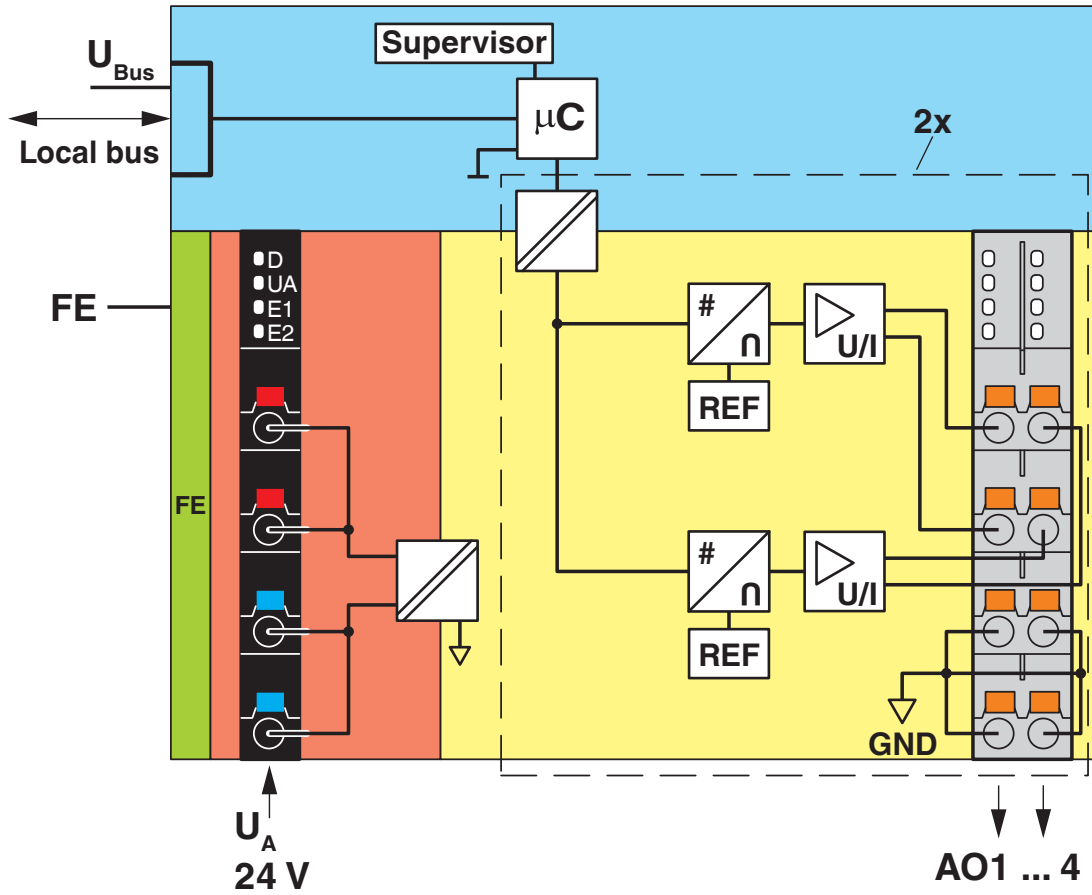
Connection for voltage and current output

AXL F AO4 1H - Analog module

2688527

<https://www.phoenixcontact.com/us/products/2688527>

Block diagram



Internal wiring of the terminal points

AXL F AO4 1H - Analog module



2688527

<https://www.phoenixcontact.com/us/products/2688527>

Approvals

To download certificates, visit the product detail page: <https://www.phoenixcontact.com/us/products/2688527>



DNV GL

Approval ID: TAA00000DF



LR

Approval ID: LR2480202TA-02



PRS

Approval ID: TE/1020/880590/21

BSH

Approval ID: 840



RINA

Approval ID: ELE008423XG001

ABS

Approval ID: 23-2449604-PDA



cULus Listed

Approval ID: E238705

AXL F AO4 1H - Analog module



2688527

<https://www.phoenixcontact.com/us/products/2688527>

Classifications

ECLASS

ECLASS-13.0	27242601
ECLASS-15.0	27242601

ETIM

ETIM 10.0	EC001596
-----------	----------

UNSPSC

UNSPSC 21.0	32151600
-------------	----------

AXL F AO4 1H - Analog module



2688527

<https://www.phoenixcontact.com/us/products/2688527>

Environmental product compliance

EU RoHS

Fulfills EU RoHS substance requirements	Yes
Exemption	7(a), 7(c)-I

China RoHS

Environment friendly use period (EFUP)	EFUP-50
	An article-related China RoHS declaration table can be found in the download area for the respective article under "Manufacturer declaration". For all articles with EFUP-E, no China RoHS declaration table issued and required.

EU REACH SVHC

REACH candidate substance (CAS No.)	Lead(CAS: 7439-92-1)
	6,6'-di-tert-butyl-2,2'-methylenedi-p-cresol(CAS: 119-47-1)
SCIP	63748412-a8b0-476c-a98d-1c92025c02b3

EF3.1 Climate Change

CO2e kg	7.726 kg CO2e
---------	---------------

Phoenix Contact 2026 © - all rights reserved
<https://www.phoenixcontact.com>

Phoenix Contact USA
586 Fulling Mill Road
Middletown, PA 17057, United States
(+717) 944-1300
info@phoenixcon.com