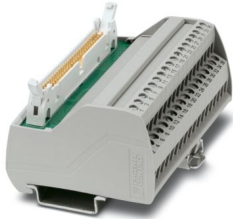


VIP-2/SC/FLK50/AB-1756 - Passive module

2322317

<https://www.phoenixcontact.com/us/products/2322317>

Please be informed that the data shown in this PDF document is generated from our online catalog. Please find the complete data in the user documentation. Our general terms of use for downloads are valid.



VARIOFACE COMPACT LINE, termination board for Allen-Bradley ControlLogix, with ControlLogix-specific marking

Commercial data

Item number	2322317
Packing unit	1 pc
Minimum order quantity	1 pc
Sales key	C423
Product key	DK211R
GTIN	4046356451000
Weight per piece (including packing)	191 g
Weight per piece (excluding packing)	196.7 g
Customs tariff number	85366990
Country of origin	US

VIP-2/SC/FLK50/AB-1756 - Passive module



2322317

<https://www.phoenixcontact.com/us/products/2322317>

Technical data

Product properties

Product type	Interface module
Product family	VARIOFACE Professional
Number of positions	50
No. of channels	2
	4
	6
	8
	16
	32

Insulation characteristics

Overvoltage category	II
Pollution degree	2

Electrical properties

Max. permissible operating voltage	25 V AC
	60 V DC
Max. current carrying capacity per branch	1 A
Rated surge voltage	0.6 kV

Supported controller: ALLEN-BRADLEY ControlLogix

Suitable I/O card	1756-IA16I
	1756-IB16D
	1756-IB16I
	1756-IB32
	1756-IH16I
	1756-OB32
	1756-IF8
	1756-IF16
	1756-HSC
	1756-M02AE

Supported controller: HONEYWELL Experion PKS C200

Suitable I/O card	TC-IDK 161
	TC-IDX 161
	TC-IDJ 161
	TC-IDD 321
	TC-ODD 321
	TC-IAH 161

Connection data

VIP-2/SC/FLK50/AB-1756 - Passive module



2322317

<https://www.phoenixcontact.com/us/products/2322317>

Field level

Connection in acc. with standard	IEC / EN
Connection method	Screw connection
Stripping length	8 mm
Screw thread	M 3
Number of positions	50
Conductor cross-section rigid	0.2 mm ² ... 4 mm ²
Conductor cross-section flexible	0.2 mm ² ... 2.5 mm ²
Conductor cross-section AWG	24 ... 12
Tightening torque	0.5 Nm ... 0.6 Nm

Controller level

Connection method	IDC/FLK pin strip
Number of connections	1
Number of positions	50
Pitch	2.54 mm

Signaling

Status display	no
Status display present	no

Dimensions

Item dimensions

Width	95.9 mm
Height	65.5 mm
Depth	56 mm

Material specifications

Color	gray (RAL 7042)
Flammability rating according to UL 94	V0
Housing insulation material	Polyamide PA non-reinforced

Environmental and real-life conditions

Ambient conditions

Ambient temperature (operation)	-20 °C ... 50 °C
Ambient temperature (storage/transport)	-20 °C ... 70 °C

Standards and regulations

Standards/regulations	IEC 60664
	DIN EN 50178

Mounting

Mounting type	DIN rail mounting
Mounting position	any

VIP-2/SC/FLK50/AB-1756 - Passive module



2322317

<https://www.phoenixcontact.com/us/products/2322317>

Notes

Notes on operation

For proper use, the specifications of the installation directive (see Downloads) must be observed. For applications or use with third-party products, the specifications, and the safety and warning instructions of the respective third-party manufacturer must also be met.

VIP-2/SC/FLK50/AB-1756 - Passive module

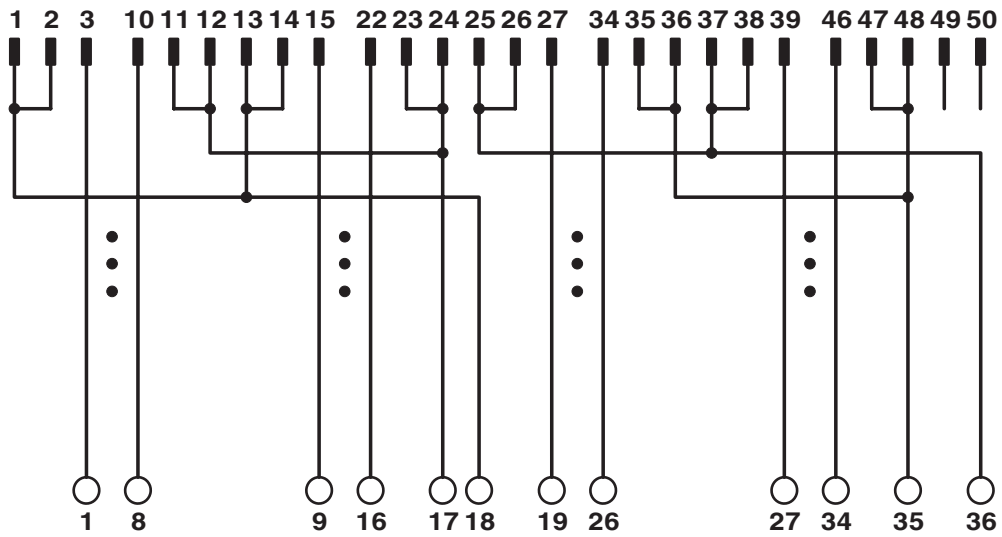


2322317

<https://www.phoenixcontact.com/us/products/2322317>

Drawings

Circuit diagram



Connection scheme VIP-2/.../FLK50/AB-1756

VIP-2/SC/FLK50/AB-1756 - Passive module



2322317

<https://www.phoenixcontact.com/us/products/2322317>

Approvals

To download certificates, visit the product detail page: <https://www.phoenixcontact.com/us/products/2322317>

 cUL Recognized Approval ID: E238705				
	Nominal voltage U_N	Nominal current I_N	Cross section AWG	Cross section mm^2
keine				
	125 V	1 A	30 - 12	-

 UL Recognized Approval ID: E238705				
	Nominal voltage U_N	Nominal current I_N	Cross section AWG	Cross section mm^2
keine				
	125 V	1 A	30 - 12	-

VIP-2/SC/FLK50/AB-1756 - Passive module



2322317

<https://www.phoenixcontact.com/us/products/2322317>

Classifications

ECLASS

ECLASS-13.0	27141152
ECLASS-15.0	27141152

ETIM

ETIM 10.0	EC002780
-----------	----------

UNSPSC

UNSPSC 21.0	39121400
-------------	----------

VIP-2/SC/FLK50/AB-1756 - Passive module



2322317

<https://www.phoenixcontact.com/us/products/2322317>

Environmental product compliance

EU RoHS

Fulfills EU RoHS substance requirements	Yes, No exemptions
---	--------------------

China RoHS

Environment friendly use period (EFUP)	EFUP-E
	No hazardous substances above the limits

EU REACH SVHC

REACH candidate substance (CAS No.)	No substance above 0.1 wt%
-------------------------------------	----------------------------

Phoenix Contact 2026 © - all rights reserved
<https://www.phoenixcontact.com>

Phoenix Contact USA
586 Fulling Mill Road
Middletown, PA 17057, United States
(+717) 944-1300
info@phoenixcon.com