

# VIP-2/SC/FLK50/LED/PLC - Passive module



2322252

<https://www.phoenixcontact.com/us/products/2322252>

Please be informed that the data shown in this PDF document is generated from our online catalog. Please find the complete data in the user documentation. Our general terms of use for downloads are valid.

VARIOFACE interface module, with LED, for 32 channels



## Your advantages

- With LED as an option
- Can be used for digital I/O modules
- Byte-by-byte labeling

## Commercial data

Item number	2322252
Packing unit	1 pc
Minimum order quantity	1 pc
Sales key	C423
Product key	DK2111
GTIN	4046356451062
Weight per piece (including packing)	204.7 g
Weight per piece (excluding packing)	205 g
Customs tariff number	85366990
Country of origin	US

# VIP-2/SC/FLK50/LED/PLC - Passive module



2322252

<https://www.phoenixcontact.com/us/products/2322252>

## Technical data

### Product properties

Product type	Interface module
Product family	VARIOFACE Professional
Number of positions	50
No. of channels	32

### Insulation characteristics

Overvoltage category	II
Pollution degree	2

### Electrical properties

Nominal voltage $U_N$	24 V DC
Max. current carrying capacity per branch	1 A
Max. total current of voltage supply	2 A (per byte)
Rated surge voltage	0.6 kV

### Supported controller: SIEMENS S7-1500

Suitable I/O card	6ES7521-1BL00-0AB0
	6ES7522-1BL00-0AB0
	6ES7522-1BL01-0AB0

### Supported controller: SIEMENS S7-400

Suitable I/O card	6ES7421-1BL01-0AA0
	6ES7422-1BL00-0AA0
	6ES7422-7BL00-0AB0

### Supported controller: SIEMENS S7-300 / ET 200 M

Suitable I/O card	CPU 313C-2DP
	CPU 314C-2DP
	CPU 314C-2PtP
	6ES7321-1BL00-0AA0
	6ES7322-1BL00-0AA0
	6ES7323-1BL00-0AA0

### Supported controller: ALLEN-BRADLEY ControlLogix

Suitable I/O card	1756-IB32
	1756-OB32

### Supported controller: ALLEN-BRADLEY PLC 5

Suitable I/O card	1771 IBN
	1771 OBN

### Supported controller: GE-FANUC RX3i

Suitable I/O card	IC694MDL754
-------------------	-------------

# VIP-2/SC/FLK50/LED/PLC - Passive module



2322252

<https://www.phoenixcontact.com/us/products/2322252>

	IC694MDL660
--	-------------

Supported controller: HONEYWELL Experion PKS C200

Suitable I/O card	TC-IDD 321
	TC-ODD 321

Supported controller: MITSUBISHI MELSEC L

Suitable I/O card	LX41C4
	LX42C4
	LY41NT1P
	LY42NT1P
	LY41PT1P
	LY42PT1P

Supported controller: MITSUBISHI MELSEC Q

Suitable I/O card	QX81
	QY81P
	QX42
	QX42-S1
	QY41P
	QH42P
	QX82
	QX82-S1
	QY82P

Supported controller: SCHNEIDER ELECTRIC Modicon TSX QUANTUM

Suitable I/O card	DDI 353
	DDI 853
	DDO 353

## Connection data

### Field level

Connection in acc. with standard	IEC / EN
Connection method	Screw connection
Stripping length	8 mm
Screw thread	M3
Conductor cross-section rigid	0.2 mm <sup>2</sup> ... 4 mm <sup>2</sup>
Conductor cross-section flexible	0.2 mm <sup>2</sup> ... 2.5 mm <sup>2</sup>
Conductor cross-section AWG	24 ... 12
Tightening torque	0.5 Nm ... 0.6 Nm

### Controller level

Connection method	IDC/FLK pin strip
Number of connections	1
Number of positions	50
Pitch	2.54 mm

# VIP-2/SC/FLK50/LED/PLC - Passive module



2322252

<https://www.phoenixcontact.com/us/products/2322252>

## Signaling

Status display	LED
Status display present	yes

## Dimensions

### Item dimensions

Width	106.1 mm
Height	65.5 mm
Depth	56 mm

## Material specifications

Color	gray (RAL 7042)
Flammability rating according to UL 94	V0
Housing insulation material	Polyamide PA non-reinforced

## Environmental and real-life conditions

### Ambient conditions

Ambient temperature (operation)	-20 °C ... 50 °C
Ambient temperature (storage/transport)	-20 °C ... 70 °C

## Standards and regulations

Standards/regulations	IEC 60664
	DIN EN 50178

## Mounting

Mounting type	DIN rail mounting
Mounting position	any

## Notes

Notes on operation	For proper use, the specifications of the installation directive (see Downloads) must be observed. For applications or use with third-party products, the specifications, and the safety and warning instructions of the respective third-party manufacturer must also be met.
--------------------	--

# VIP-2/SC/FLK50/LED/PLC - Passive module

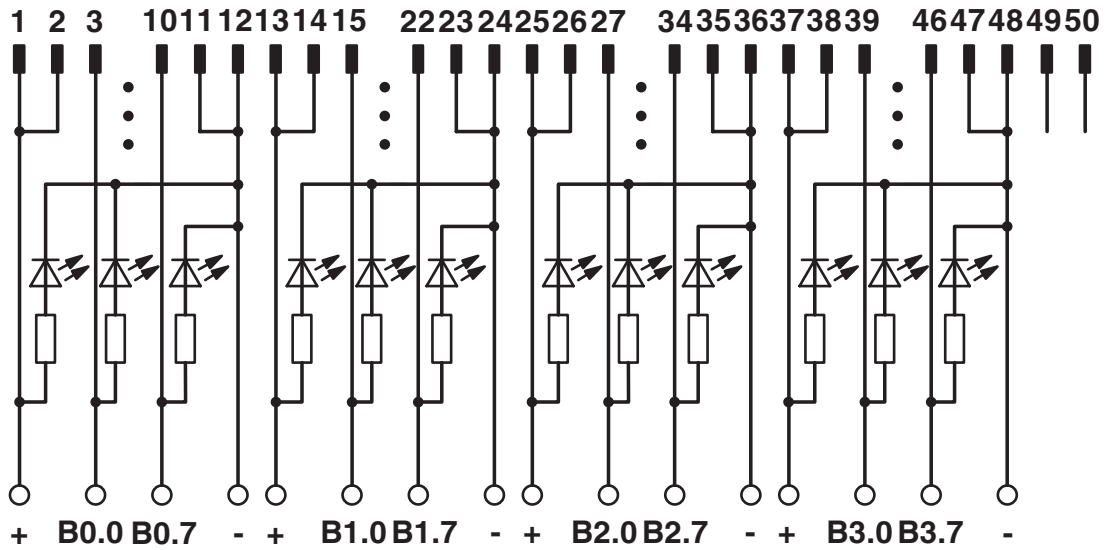


2322252

<https://www.phoenixcontact.com/us/products/2322252>

## Drawings

Circuit diagram



Connection scheme VIP-2/SC/FLK50/LED/PLC

# VIP-2/SC/FLK50/LED/PLC - Passive module





2322252


<https://www.phoenixcontact.com/us/products/2322252>


## Approvals

To download certificates, visit the product detail page: <https://www.phoenixcontact.com/us/products/2322252>

 <b>CSA</b> Approval ID: 2122203				
	Nominal voltage $U_N$	Nominal current $I_N$	Cross section AWG	Cross section $\text{mm}^2$
keine				
	24 V	1 A	28 - 12	-

 <b>cUL Recognized</b> Approval ID: E238705				
	Nominal voltage $U_N$	Nominal current $I_N$	Cross section AWG	Cross section $\text{mm}^2$
keine				
	24 V	1 A	30 - 12	-

 <b>UL Recognized</b> Approval ID: E238705				
	Nominal voltage $U_N$	Nominal current $I_N$	Cross section AWG	Cross section $\text{mm}^2$
keine				
	24 V	1 A	30 - 12	-

 <b>CSAus</b> Approval ID: 2122203				
	Nominal voltage $U_N$	Nominal current $I_N$	Cross section AWG	Cross section $\text{mm}^2$
keine				
	24 V	1 A	28 - 12	-

# VIP-2/SC/FLK50/LED/PLC - Passive module



2322252

<https://www.phoenixcontact.com/us/products/2322252>

## Classifications

### ECLASS

ECLASS-13.0	27141152
ECLASS-15.0	27141152

### ETIM

ETIM 10.0	EC002780
-----------	----------

### UNSPSC

UNSPSC 21.0	39121400
-------------	----------

# VIP-2/SC/FLK50/LED/PLC - Passive module



2322252

<https://www.phoenixcontact.com/us/products/2322252>

## Environmental product compliance

### EU RoHS

Fulfills EU RoHS substance requirements	Yes
Exemption	7(c)-I

### China RoHS

Environment friendly use period (EFUP)	EFUP-50
	An article-related China RoHS declaration table can be found in the download area for the respective article under "Manufacturer declaration". For all articles with EFUP-E, no China RoHS declaration table issued and required.

### EU REACH SVHC

REACH candidate substance (CAS No.)	No substance above 0.1 wt%
-------------------------------------	----------------------------

Phoenix Contact 2026 © - all rights reserved  
<https://www.phoenixcontact.com>

Phoenix Contact USA  
586 Fulling Mill Road  
Middletown, PA 17057, United States  
(+717) 944-1300  
[info@phoenixcon.com](mailto:info@phoenixcon.com)