

FB1-S1-6SP-S-0-10-00-0-0 - Junction box



2316446

<https://www.phoenixcontact.com/us/products/2316446>

Please be informed that the data shown in this PDF document is generated from our online catalog. Please find the complete data in the user documentation. Our general terms of use for downloads are valid.



Stainless steel field junction box with ten ports for use in hazardous locations. Includes six-spur block device coupler (FB-6SP) for Foundation Fieldbus or PROFIBUS PA, Trunk cable (+, -, S) is connected to a Plugtrab surge base (PT 4+F-BE)

Product description

FF/PA - Six-spur block junction box

Your advantages

- Terminator preinstalled
- Provides current limiting short-circuit protection per spur
- Connect up to 6 Foundation Fieldbus or PROFIBUS PA field devices
- Single-sided plug configuration eliminates cable bend radius issues



Commercial data

Item number	2316446
Packing unit	1 pc
Minimum order quantity	1 pc
Sales key	DN11
Product key	DNC1Z1
GTIN	4055626590561
Weight per piece (including packing)	6,100 g
Weight per piece (excluding packing)	4,660 g
Customs tariff number	85371098
Country of origin	US

Technical data

Notes

Note on application

Note on application	Only for industrial use
---------------------	-------------------------

Utilization restriction

CCCex note	Use in potentially explosive areas is not permitted in China.
------------	---

Product properties

Product type	Control box
--------------	-------------

Electrical properties

Supply

Max. current consumption	4.8 mA (No-load)
	340 mA (trunk)

Ex data

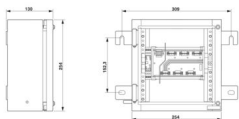
Safety data

Input voltage U_i	32 V (IIB (C/D))
	24 V (IIC (A/B))
	17.5 V (FISCO)
Inductance L_i	4 μ H
Capacitance C_i	0 μ F
Max. output voltage U_o	U_{in} (Branch line)
Max. output current I_o	56 mA (Branch line)
Max. output power P_o	1.792 W
Safety-related maximum voltage U_m	17.5 V (in acc. with EN 60079-11)
IIC/IIB (Branch line): Max. external inductivity L_o / Max. external capacitance C_o	/ 80 nF
IIC/IIB (per spur): Max. external inductivity L_o / Max. external capacitance C_o	0.26 mH

Interfaces

Signal	FOUNDATION Fieldbus
	PROFIBUS

Dimensions

Dimensional drawing	
Width	254 mm

FB1-S1-6SP-S-0-10-00-0-0 - Junction box



2316446

<https://www.phoenixcontact.com/us/products/2316446>

Height	254 mm
Depth	127 mm

Material specifications

Color	gray
Housing material	Stainless steel

Environmental and real-life conditions

Ambient conditions

Degree of protection	IP66
Ambient temperature (operation)	-40 °C ... 70 °C
Ambient temperature (storage/transport)	-40 °C ... 70 °C
Max. permissible relative humidity (operation)	< 95 % (non-condensing)

Approvals

ATEX

Identification	⊕ II 3G Ex nA [ic] IIC T4 Gc
	Ex nA nC [ic] IIC T4 Gc
	Ex ic IIC T4 Gc, FISCO ic spurs
	⊕ II 3 D Ex tc IIIC T135 Dc IP66
Certificate	DEMKO 16ATEX1704X

IECEX

Identification	Ex nA [ic] IIC T4 Gc
	Ex nA nC [ic] IIC T4 Gc
	Ex ic IIC T4 Gc, FISCO ic spurs
	Ex tc IIIC T135 Dc IP66
Certificate	IECEX UL 16.0079X

UL, USA

Identification	Class I, Zone 2, AEx nA [ic] IIC T4
	Ex nA [ic] IIC T4 Gc X Entity/FISCO spurs
	Class I, Div. 2, Groups A, B, C, D T4
	Zone 22, AEx tc IIIB T135°C
	Ex tc IIIB T135°C Dc X IP66

UKCA Ex (UKEX)

Identification	⊕ II 3G Ex nA [ic] IIC T4 Gc
	Ex nA nC [ic] IIC T4 Gc
	Ex ic IIC T4 Gc, FISCO ic spurs
	⊕ II 3 D Ex tc IIIC T135 Dc IP66
Certificate	PxCAI22UKEx2316417X

Standards and regulations

FB1-S1-6SP-S-0-10-00-0-0 - Junction box



2316446

<https://www.phoenixcontact.com/us/products/2316446>

Standards

Standards/regulations	EN 61326-1
	EN 60079-0
	EN 60079-11
	EN 60079-15

Mounting

Mounting type	Panel mounting
---------------	----------------

FB1-S1-6SP-S-0-10-00-0-0 - Junction box

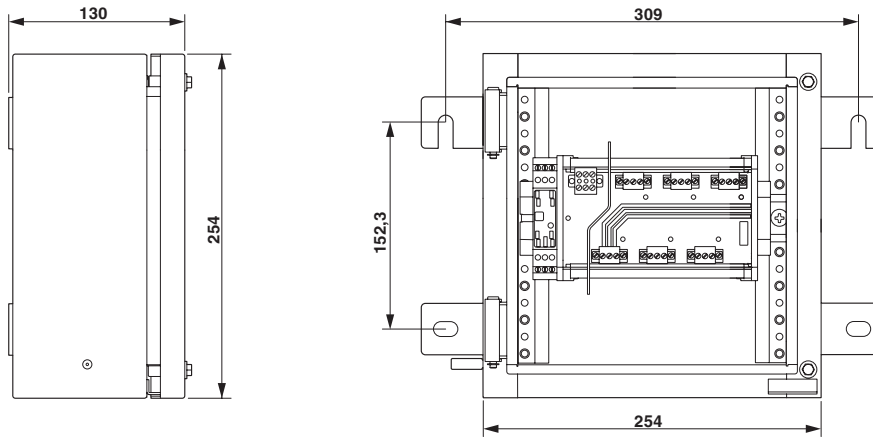


2316446

<https://www.phoenixcontact.com/us/products/2316446>

Drawings

Dimensional drawing



2316446

<https://www.phoenixcontact.com/us/products/2316446>

Approvals

To download certificates, visit the product detail page: <https://www.phoenixcontact.com/us/products/2316446>



IECEx

Approval ID: IECEx UL 16.0079X



cUL Listed

Approval ID: E199827



UL Listed

Approval ID: E199827



ATEX

Approval ID: DEMKO 16 ATEX 1704X

2316446

<https://www.phoenixcontact.com/us/products/2316446>

Classifications

ECLASS

ECLASS-13.0	27180101
ECLASS-15.0	27180101

ETIM

ETIM 10.0	EC000261
-----------	----------

UNSPSC

UNSPSC 21.0	31261500
-------------	----------

2316446

<https://www.phoenixcontact.com/us/products/2316446>

Environmental product compliance

EU RoHS

Fulfills EU RoHS substance requirements	Yes
Exemption	7(a), 7(c)-I

China RoHS

Environment friendly use period (EFUP)	EFUP-50
	An article-related China RoHS declaration table can be found in the download area for the respective article under "Manufacturer declaration". For all articles with EFUP-E, no China RoHS declaration table issued and required.

EU REACH SVHC

REACH candidate substance (CAS No.)	Lead(CAS: 7439-92-1)
SCIP	c7b15f62-dced-43a4-9fc6-e1561cd5a38b

Phoenix Contact 2026 © - all rights reserved

<https://www.phoenixcontact.com>

Phoenix Contact USA
586 Fulling Mill Road
Middletown, PA 17057, United States
(+717) 944-1300
info@phoenixcon.com