

# FB2-S1-12SP-T-0-16-00-0-0 - Junction box



2316417

<https://www.phoenixcontact.com/us/products/2316417>

Please be informed that the data shown in this PDF document is generated from our online catalog. Please find the complete data in the user documentation. Our general terms of use for downloads are valid.



Stainless steel field junction box with 16 ports for use in hazardous locations. Includes 12-spur block device coupler (FB-12SP) for Foundation Fieldbus or PROFIBUS PA, three terminal blocks for trunk cable connection (+, -, S).

## Product description

FF/PA - 12-spur block junction box

## Your advantages

- Single-sided plug configuration eliminates cable bend radius issues
- Provides current limiting short-circuit protection per spur
- Connect up to 12 Foundation Fieldbus or PROFIBUS PA field devices
- Terminator preinstalled



## Commercial data

Item number	2316417
Packing unit	1 pc
Minimum order quantity	1 pc
Sales key	DN11
Product key	DNC1Z1
GTIN	4055626301754
Weight per piece (including packing)	8,140 g
Weight per piece (excluding packing)	6,540 g
Customs tariff number	85371098
Country of origin	US

## Technical data

### Notes

#### Utilization restriction

CCCex note	Use in potentially explosive areas is not permitted in China.
------------	---

### Product properties

Product type	Control box
--------------	-------------

### Electrical properties

#### Supply

Max. current consumption	6.5 mA (No-load)
	680 mA (trunk)

### Ex data

#### Safety data

Input voltage $U_i$	32 V (IIB (C/D))
	24 V (IIC (A/B))
	17.5 V (FISCO)
Inductance $L_i$	4 $\mu$ H
Capacitance $C_i$	0 $\mu$ F
Max. output voltage $U_o$	$U_{in}$ (Branch line)
Max. output current $I_o$	56 mA (per spur)
Max. output power $P_o$	1.792 W
Safety-related maximum voltage $U_m$	17.5 V
IIC/IIB (per spur): Max. external inductivity $L_o$ / Max. external capacitance $C_o$	/ 80 nF
	0.26 mH

### Interfaces

Signal	FOUNDATION Fieldbus
	PROFIBUS

#### Data

No. of channels	12
Termination resistor	Integrated termination, activated with bridge located in correct terminals
Conductor cross-section flexible max.	2.5 mm <sup>2</sup>
Conductor cross-section flexible min.	0.2 mm <sup>2</sup>
Conductor cross-section, rigid max.	2.5 mm <sup>2</sup>
Conductor cross-section, rigid min.	0.2 mm <sup>2</sup>
Conductor cross-section AWG max.	12
Conductor cross-section AWG min.	24

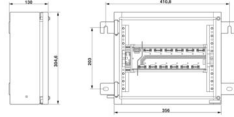
# FB2-S1-12SP-T-0-16-00-0-0 - Junction box



2316417

<https://www.phoenixcontact.com/us/products/2316417>

## Dimensions

Dimensional drawing	
Width	355.6 mm
Height	304.8 mm
Depth	127 mm

## Material specifications

Color	gray
Housing material	Stainless steel

## Mechanical tests

Corrosive resistance in accordance with ANSI-ISA 71.04-1985 - Severity level G3	:
---	---

## Environmental and real-life conditions

### Ambient conditions

Degree of protection	IP66
Ambient temperature (operation)	-40 °C ... 70 °C
Ambient temperature (storage/transport)	-40 °C ... 70 °C
Altitude	2000 m
Max. permissible relative humidity (operation)	< 95 % (non-condensing)

## Approvals

### Conformity/Approvals

Conformance	CE-compliant, additionally EN 61326-1
-------------	---------------------------------------

### Ex data

ATEX	DEMKO 16ATEX1704X II 3 G D Ex nA [ic] IIC T4 Gc, Ex nA nC [ic] IIC T4 Gc Ex ic IIC T4 Gc, FISCO ic spurs Ex tc IIIC T135 Dc IP66
IECEX	IECEX UL 16.0079X Ex nA [ic] IIC T4 Gc, Ex nA nC [ic] IIC T4 Gc Ex ic IIC T4 Gc, FISCO ic spurs Ex tc IIIC T135 Dc IP66
UL, USA / Canada	Class I, Zone 2, AEx nA [ic] IIC T4 Gc, AEx nA nC [ic] IIC T4 Gc Entity/FISCO spurs Class I, Div. 2, Groups A, B, C, D, T4 Class I, Zone 22, AEx tc IIIC T135 Dc IP66

## Standards and regulations

### Standards

# FB2-S1-12SP-T-0-16-00-0-0 - Junction box



2316417

<https://www.phoenixcontact.com/us/products/2316417>

Standards/regulations	EN 61326-1
	EN 60079-0
	EN 60079-11
	EN 60079-15

## Mounting

Mounting type	Panel mounting
---------------	----------------

# FB2-S1-12SP-T-0-16-00-0-0 - Junction box

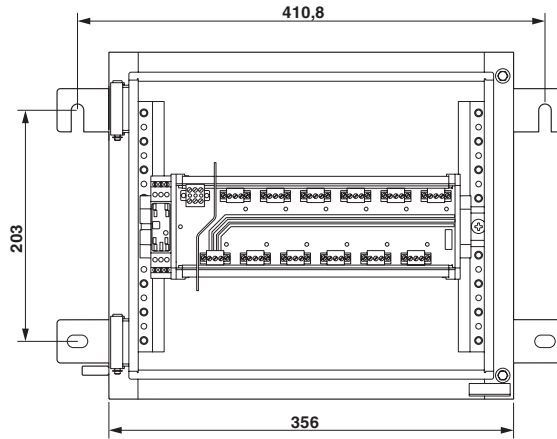
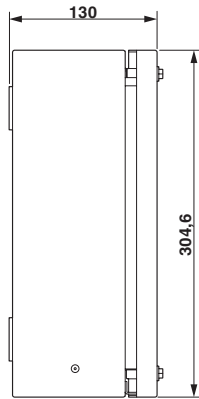


2316417

<https://www.phoenixcontact.com/us/products/2316417>

## Drawings

Dimensional drawing



# FB2-S1-12SP-T-0-16-00-0-0 - Junction box



2316417

<https://www.phoenixcontact.com/us/products/2316417>

## Classifications

### ECLASS

ECLASS-13.0	27180101
ECLASS-15.0	27180101

### ETIM

ETIM 10.0	EC000261
-----------	----------

### UNSPSC

UNSPSC 21.0	31261500
-------------	----------

2316417

<https://www.phoenixcontact.com/us/products/2316417>

## Environmental product compliance

### EU RoHS

Fulfills EU RoHS substance requirements	Yes
Exemption	6(c), 7(a), 7(c)-I

### China RoHS

Environment friendly use period (EFUP)	EFUP-50
	An article-related China RoHS declaration table can be found in the download area for the respective article under "Manufacturer declaration". For all articles with EFUP-E, no China RoHS declaration table issued and required.

### EU REACH SVHC

REACH candidate substance (CAS No.)	Lead(CAS: 7439-92-1)
SCIP	fb626b23-d6c7-4048-85ac-e27bf290cd8a

Phoenix Contact 2026 © - all rights reserved

<https://www.phoenixcontact.com>

Phoenix Contact USA  
586 Fulling Mill Road  
Middletown, PA 17057, United States  
(+717) 944-1300  
[info@phoenixcon.com](mailto:info@phoenixcon.com)