

# VIP-2/SC/2FLK14 (1-20) /S7 - Passive module



2315230

<https://www.phoenixcontact.com/us/products/2315230>

Please be informed that the data shown in this PDF document is generated from our online catalog. Please find the complete data in the user documentation. Our general terms of use for downloads are valid.



VARIOFACE interface module for Siemens SIMATIC® S7-300, for max. 16 channels with SIMATIC®-specific labeling (1 - 20), with screw connection, module width: 80.6 mm

## Commercial data

Item number	2315230
Packing unit	1 pc
Minimum order quantity	1 pc
Sales key	C423
Product key	DK211S
GTIN	4046356313070
Weight per piece (including packing)	157.6 g
Weight per piece (excluding packing)	150.4 g
Customs tariff number	85366990
Country of origin	US

# VIP-2/SC/2FLK14 (1-20) /S7 - Passive module



2315230

<https://www.phoenixcontact.com/us/products/2315230>

## Technical data

### Product properties

Product type	Interface module
Product family	VARIOFACE Professional
Number of positions	14
No. of channels	2
	4
	6
	8
	16

### Insulation characteristics

Overvoltage category	II
Pollution degree	2

### Electrical properties

Max. permissible operating voltage	25 V AC
	60 V DC
Max. current carrying capacity per branch	1 A
Rated surge voltage	0.6 kV

Supported controller: SIEMENS S7-300 / ET 200 M

Suitable I/O card	6ES7321-1BH02-0AA0
	6ES7321-1BH10-0AA0
	6ES7321-1BH50-0AA0
	6ES7321-1BL00-0AA0
	6ES7321-7BH01-0AB0
	6ES7322-1BH01-0AA0
	6ES7322-1BH10-0AA0
	6ES7322-1BH10-0AA0
	6ES7322-1BL00-0AA0
	6ES7322-8BH01-0AB0
	6ES7322-8BH10-0AB0
	6ES7323-1BH01-0AA0
	6ES7323-1BL00-0AA0
	6ES7331-1KF01-0AB0
	6ES7331-1KF02-0AB0
	6ES7331-7HF01-0AB0
	6ES7331-7KB02-0AB0
	6ES7331-7KF02-0AB0
	6ES7331-7NF00-0AB0
	6ES7331-7NF10-0AB0
6ES7331-7PF01-0AB0	

# VIP-2/SC/2FLK14 (1-20) /S7 - Passive module



2315230

<https://www.phoenixcontact.com/us/products/2315230>

	6ES7331-7PF11-0AB0
	6ES7331-7TF01-0AB0
	6ES7332-5HB01-0AB0
	6ES7332-5HD01-0AB0
	6ES7332-7ND02-0AB0
	6ES7332-8TF01-0AB0
	6ES7334-0CE01-0AA0
	6ES7334-0KE00-0AB0
	6ES7335-7HG01-0AB0
	6ES7338-4BC01-0AB0
	6ES7350-1AH03-0AE0
	6ES7350-2AH01-0AE0
	6ES7351-1AH01-0AE0
	6ES7352-1AH02-0AE0
	6ES7353-1AH01-0AE0
	6ES7354-1AH01-0AE0
	6ES7355-0VH10-0AE0
	6ES7355-1VH10-0AE0
	6ES7357-4AH01-0AE0
	CPU 313C
	CPU 313C-2DP
	CPU 313C-2PtP
	CPU 314C-2DP
	CPU 314C-2PtP

## Connection data

### Field level

Connection method	Screw connection
Stripping length	8 mm
Screw thread	M 3
Conductor cross-section rigid	0.2 mm <sup>2</sup> ... 4 mm <sup>2</sup>
Conductor cross-section flexible	0.2 mm <sup>2</sup> ... 2.5 mm <sup>2</sup>
Conductor cross-section AWG	24 ... 12
Tightening torque	0.5 Nm ... 0.6 Nm

### Controller level

Connection method	IDC/FLK pin strip
Number of connections	2
Number of positions	14
Pitch	2.54 mm

## Signaling

Status display	no
Status display present	no

# VIP-2/SC/2FLK14 (1-20) /S7 - Passive module



2315230

<https://www.phoenixcontact.com/us/products/2315230>

## Dimensions

### Item dimensions

Width	80.6 mm
Height	65.5 mm
Depth	56 mm

## Material specifications

Color	gray (RAL 7042)
Housing insulation material	Polyamide PA non-reinforced

## Environmental and real-life conditions

### Ambient conditions

Ambient temperature (operation)	-20 °C ... 50 °C
Ambient temperature (storage/transport)	-20 °C ... 70 °C

## Standards and regulations

Standards/regulations	IEC 60664
	DIN EN 50178

## Mounting

Mounting type	DIN rail mounting
Mounting position	any

## Notes

Notes on operation	For proper use, the specifications of the installation directive (see Downloads) must be observed. For applications or use with third-party products, the specifications, and the safety and warning instructions of the respective third-party manufacturer must also be met.
--------------------	--

# VIP-2/SC/2FLK14 (1-20) /S7 - Passive module

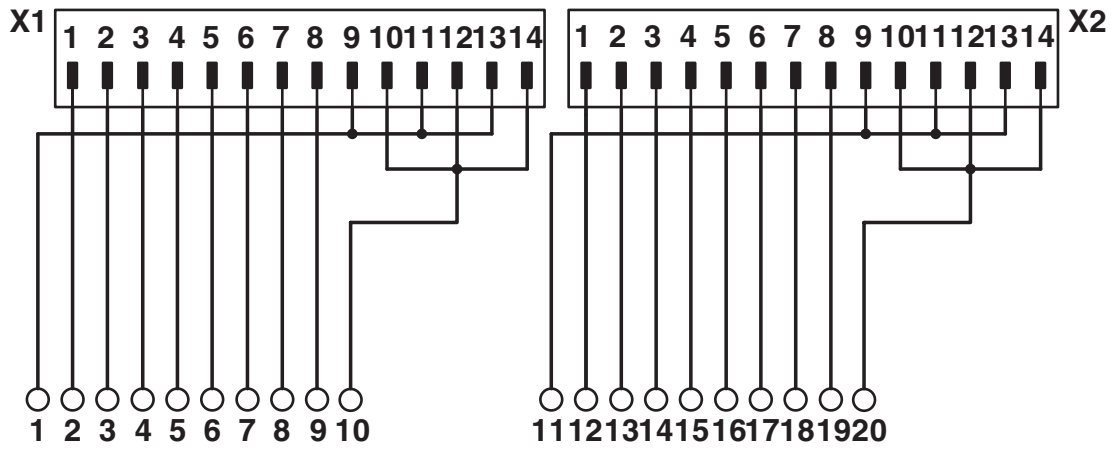


2315230

<https://www.phoenixcontact.com/us/products/2315230>

## Drawings

Circuit diagram



Connection scheme: VIP-2/.../2FLK14 (1-20) /S7

# VIP-2/SC/2FLK14 (1-20) /S7 - Passive module





2315230


<https://www.phoenixcontact.com/us/products/2315230>


## Approvals

To download certificates, visit the product detail page: <https://www.phoenixcontact.com/us/products/2315230>

 <b>CSA</b> Approval ID: 2122203				
	Nominal voltage $U_N$	Nominal current $I_N$	Cross section AWG	Cross section $\text{mm}^2$
keine				
	125 V	1 A	30 - 12	-

 <b>cUL Recognized</b> Approval ID: E238705				
	Nominal voltage $U_N$	Nominal current $I_N$	Cross section AWG	Cross section $\text{mm}^2$
keine				
	125 V	1 A	30 - 12	-

 <b>UL Recognized</b> Approval ID: E238705				
	Nominal voltage $U_N$	Nominal current $I_N$	Cross section AWG	Cross section $\text{mm}^2$
keine				
	125 V	1 A	30 - 12	-

 <b>CSAus</b> Approval ID: 2122203				
	Nominal voltage $U_N$	Nominal current $I_N$	Cross section AWG	Cross section $\text{mm}^2$
keine				
	125 V	1 A	30 - 12	-

# VIP-2/SC/2FLK14 (1-20) /S7 - Passive module



2315230

<https://www.phoenixcontact.com/us/products/2315230>

## Classifications

### ECLASS

ECLASS-13.0	27141152
ECLASS-15.0	27141152

### ETIM

ETIM 10.0	EC002780
-----------	----------

### UNSPSC

UNSPSC 21.0	39121400
-------------	----------

# VIP-2/SC/2FLK14 (1-20) /S7 - Passive module



2315230

<https://www.phoenixcontact.com/us/products/2315230>

## Environmental product compliance

### EU RoHS

Fulfills EU RoHS substance requirements	Yes, No exemptions
---	--------------------

### China RoHS

Environment friendly use period (EFUP)	EFUP-E
	No hazardous substances above the limits

### EU REACH SVHC

REACH candidate substance (CAS No.)	No substance above 0.1 wt%
-------------------------------------	----------------------------

Phoenix Contact 2026 © - all rights reserved  
<https://www.phoenixcontact.com>

Phoenix Contact USA  
586 Fulling Mill Road  
Middletown, PA 17057, United States  
(+717) 944-1300  
[info@phoenixcon.com](mailto:info@phoenixcon.com)