

PSI-GSM/UMTS-QB-ANT - Antenna



2313371

<https://www.phoenixcontact.com/us/products/2313371>

Please be informed that the data shown in this PDF document is generated from our online catalog. Please find the complete data in the user documentation. Our general terms of use for downloads are valid.

GSM UMTS antenna, with omnidirectional characteristic, 2 m antenna cable with SMA round connector



Commercial data

Item number	2313371
Packing unit	1 pc
Minimum order quantity	1 pc
Sales key	DN23
Product key	DNC4Z1
GTIN	4046356411066
Weight per piece (including packing)	96.5 g
Weight per piece (excluding packing)	94.7 g
Customs tariff number	85177100
Country of origin	DE

2313371

<https://www.phoenixcontact.com/us/products/2313371>

Technical data

Product properties

Product type	Antenna
Radiation characteristics	Omnidirectional
Gain	5 dBi (800/900 MHz)
	3 dBi (1800/1900 MHz)
	1 dBi (2100 MHz)
Polarization	Linear vertical

Electrical properties

Frequency band	2100 MHz
	850 MHz
	1900 MHz
	1800 MHz
	900 MHz
Frequency range	800 MHz ... 900 MHz
	1.8 GHz ... 1.9 GHz
	2.1 GHz
Impedance	50 Ω
Maximum capacity	10.00 W
Voltage standing wave ratio VSWR in a 50 Ω system	< 2.00

Connection data

Connection technology	
Connection method	SMA (male)

Dimensions

Height	21 mm
Diameter	76 mm

Material specifications

Material (Cable)	RG174 (Outer cable sheath)
------------------	----------------------------

Cable/line

Cable length	2.00 m
Connecting cable	yes
External cable diameter	2.70 mm
Smallest bending radius, fixed installation	15 mm

Environmental and real-life conditions

Ambient conditions	
Degree of protection	IP69K (Assembled)

PSI-GSM/UMTS-QB-ANT - Antenna



2313371

<https://www.phoenixcontact.com/us/products/2313371>

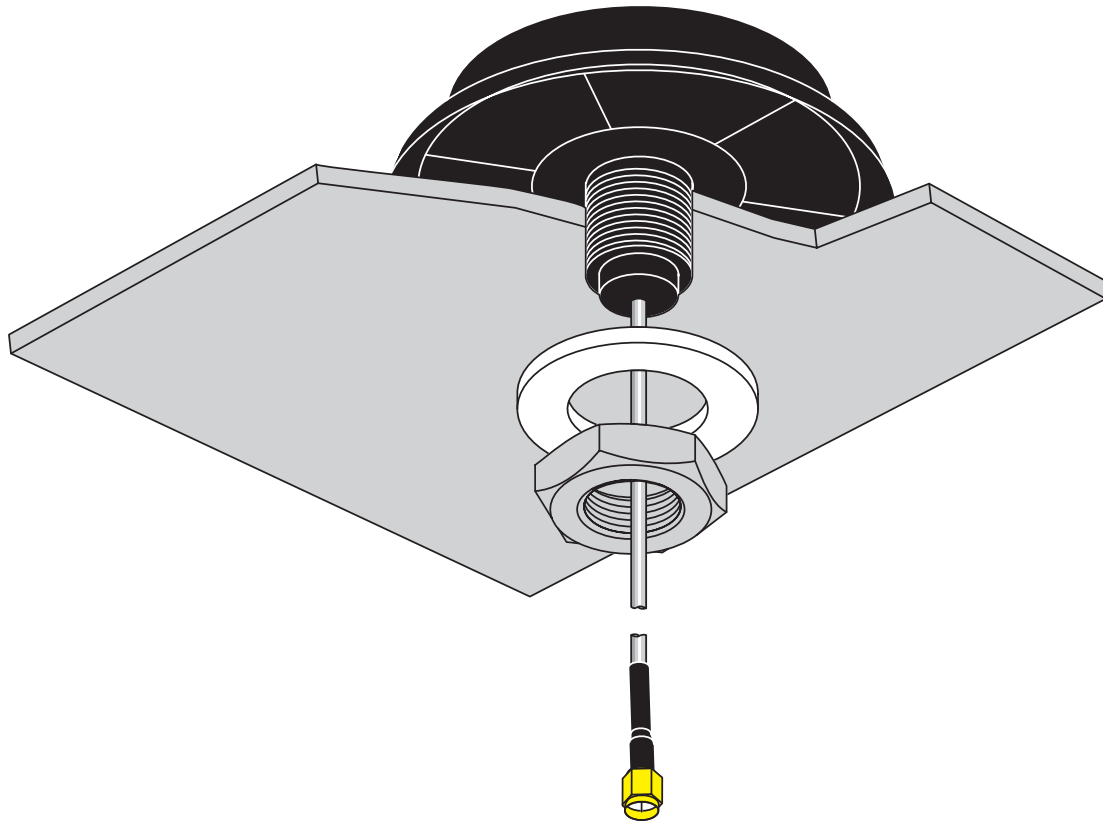
Ambient temperature (operation)	-40 °C ... 85 °C
Ambient temperature (storage/transport)	-40 °C ... 85 °C

Mounting

Mounting type	Control cabinet
---------------	-----------------

Drawings

Schematic diagram



Mounting on the control cabinet

PSI-GSM/UMTS-QB-ANT - Antenna



2313371

<https://www.phoenixcontact.com/us/products/2313371>

Classifications

ECLASS

ECLASS-13.0

19070105

ETIM

ETIM 9.0

EC001698

UNSPSC

UNSPSC 21.0

43223100

2313371

<https://www.phoenixcontact.com/us/products/2313371>

Environmental product compliance

EU RoHS

Fulfills EU RoHS substance requirements	Yes
Exemption	6(c)

China RoHS

Environment friendly use period (EFUP)	EFUP-E
	No hazardous substances above the limits

EU REACH SVHC

REACH candidate substance (CAS No.)	Lead(CAS: 7439-92-1)
-------------------------------------	----------------------

Phoenix Contact 2026 © - all rights reserved

<https://www.phoenixcontact.com>

Phoenix Contact USA
586 Fulling Mill Road
Middletown, PA 17057, United States
(+717) 944-1300
info@phoenixcon.com