

# MCR-SL-CUC-200-I - Universal current transducer



2308030

<https://www.phoenixcontact.com/us/products/2308030>

Please be informed that the data shown in this PDF document is generated from our online catalog. Please find the complete data in the user documentation. Our general terms of use for downloads are valid.



Universal current transducer, for measuring AC, DC, and distorted currents, 0 ... 200 A input current, 4 ... 20 mA output

## Your advantages

- Variable mounting on DIN rail and mounting panel
- Compact dimensions also enable distributed use
- Simple connection technology thanks to COMBICON plug-in connection terminal blocks
- 3-way isolation
- Universal current measurement, no shunt required

## Commercial data

|                                      |               |
|--------------------------------------|---------------|
| Item number                          | 2308030       |
| Packing unit                         | 1 pc          |
| Minimum order quantity               | 1 pc          |
| Sales key                            | C444          |
| Product key                          | CMMA31        |
| GTIN                                 | 4046356434058 |
| Weight per piece (including packing) | 293.9 g       |
| Weight per piece (excluding packing) | 293.6 g       |
| Customs tariff number                | 90303370      |
| Country of origin                    | CN            |

## Technical data

### Product properties

|                            |                              |
|----------------------------|------------------------------|
| Product type               | Current measuring transducer |
| Insulation characteristics |                              |
| Overvoltage category       | III                          |
| Pollution degree           | 2                            |

### Electrical properties

|   |  |
|---|--|
| Linearity error                                 | $\leq \pm 1\%$ (From the range end value)                |
| Maximum power dissipation for nominal condition | 1 W  |
| Step response (10-90%)                          | 150 ms   |
| Temperature coefficient, typical                | 0.02 %/K (0 °C ... 60 °C)<br>0.04 %/K (-40 °C ... 65 °C) |
| Maximum transmission error                      | $\leq \pm 1\%$ (of final value)                          |
| Rated insulation voltage                        | 300 V AC   |

### Electrical isolation Input/output

|              |                         |
|--------------|-------------------------|
| Test voltage | 3.5 kV AC (50 Hz, 60 s) |
|--------------|-------------------------|

### Electrical isolation Input/power supply

|              |                         |
|--------------|-------------------------|
| Test voltage | 3.5 kV AC (50 Hz, 60 s) |
|--------------|-------------------------|

### General

|                |   |
|----------------|---|
| Accuracy class | 1 |
|----------------|---|

### Supply

|                          |                     |
|--------------------------|---------------------|
| Nominal supply voltage   | 24 V DC             |
| Supply voltage range     | 20 V DC ... 30 V DC |
| Max. current consumption | $(30 + I_{OUT})$ mA |
| Power consumption        | 1.65 W              |

## Input data

### Measurement

|                           |                              |
|---------------------------|------------------------------|
| Number of inputs          | 1                            |
| Input current range       | 0 A AC/DC ... 200 A AC/DC    |
| Overload capacity         | $3 \times I_{IN}$            |
| Frequency measuring range | 20 Hz ... 6000 Hz (0 Hz)     |
| Curve type                | AC, DC or distorted currents |

### Current transformer

|                                     |                   |
|-------------------------------------|-------------------|
| Rated frequency: Standard converter | 20 Hz ... 6000 Hz |
| Primary rated current $I_{pn}$      | 200 A             |
| Accuracy class                      | 1                 |

# MCR-SL-CUC-200-I - Universal current transducer



2308030

<https://www.phoenixcontact.com/us/products/2308030>

## Output data

Signal: Current

|                                 |                |
|---------------------------------|----------------|
| Current output signal           | 4 mA ... 20 mA |
| Max. current output signal      | < 25 mA        |
| Load/output load current output | < 300 Ω        |

## Connection data

|                                  |  |
|----------------------------------|--|
| Connection method                | Push-in connection                           |
| Stripping length                 | 10 mm  |
| Conductor cross-section rigid    | 0.25 mm <sup>2</sup> ... 2.5 mm <sup>2</sup> |
| Conductor cross-section flexible | 0.2 mm <sup>2</sup> ... 2.5 mm <sup>2</sup>  |
| Conductor cross-section AWG      | 24 ... 12                                    |
| Connection method                | Through connection                           |

## Dimensions

Item dimensions

|        |         |
|--------|---------|
| Width  | 90 mm   |
| Height | 33.8 mm |
| Depth  | 85 mm   |

Circular conductor

|          |       |
|----------|-------|
| Diameter | 32 mm |
|----------|-------|

## Material specifications

|                  |                     |
|------------------|---------------------|
| Color            | green (RAL 6021)    |
| Housing material | Frianyl B63 V0 GV30 |

## Environmental and real-life conditions

Ambient conditions

|   |                  |
|---|------------------|
| Degree of protection                    | IP20             |
| Ambient temperature (operation)         | -40 °C ... 65 °C |
| Ambient temperature (storage/transport) | -40 °C ... 85 °C |

## Approvals

CE

|             |              |
|-------------|--------------|
| Certificate | CE-compliant |
|-------------|--------------|

UL, USA/Canada

|                |                       |
|----------------|-----------------------|
| Identification | UL/C-UL Listed UL 508 |
|----------------|-----------------------|

## EMC data

|                |              |
|----------------|--------------|
| Noise immunity | EN 61000-6-2 |
|----------------|--------------|

# MCR-SL-CUC-200-I - Universal current transducer



2308030

<https://www.phoenixcontact.com/us/products/2308030>

## Noise emission

Standards/regulations

EN 61000-6-4

## Mounting

Mounting type

DIN rail mounting

# MCR-SL-CUC-200-I - Universal current transducer

2308030

<https://www.phoenixcontact.com/us/products/2308030>



## Drawings

Dimensional drawing



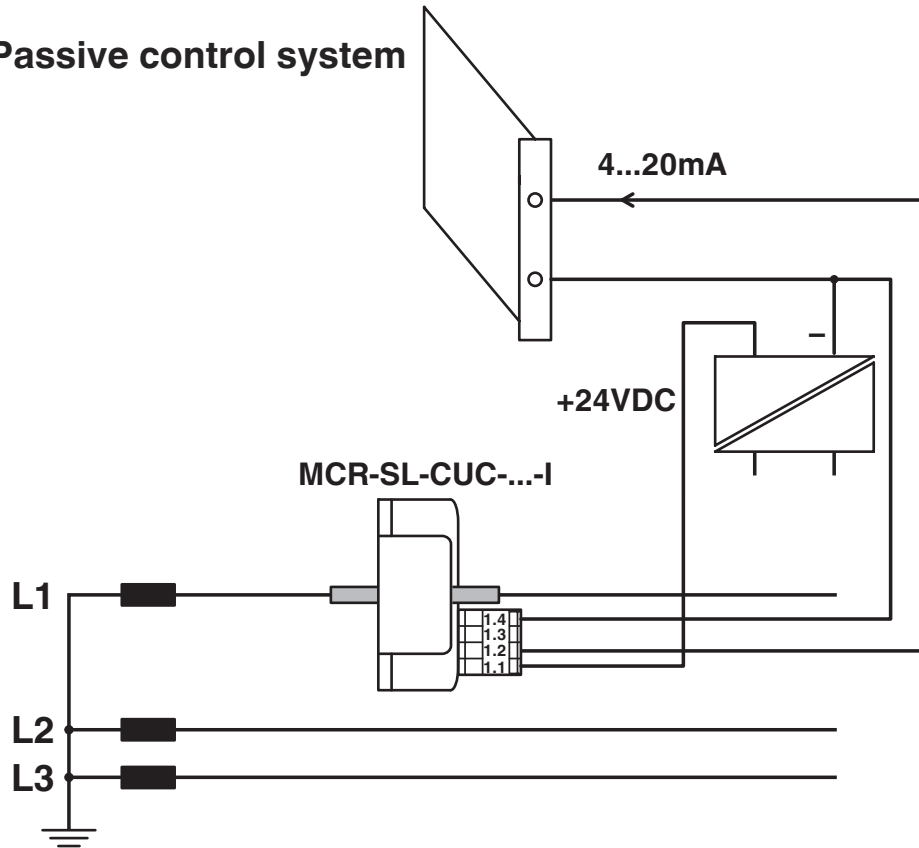
# MCR-SL-CUC-200-I - Universal current transducer

2308030

<https://www.phoenixcontact.com/us/products/2308030>

Application drawing

## Passive control system



Current monitoring

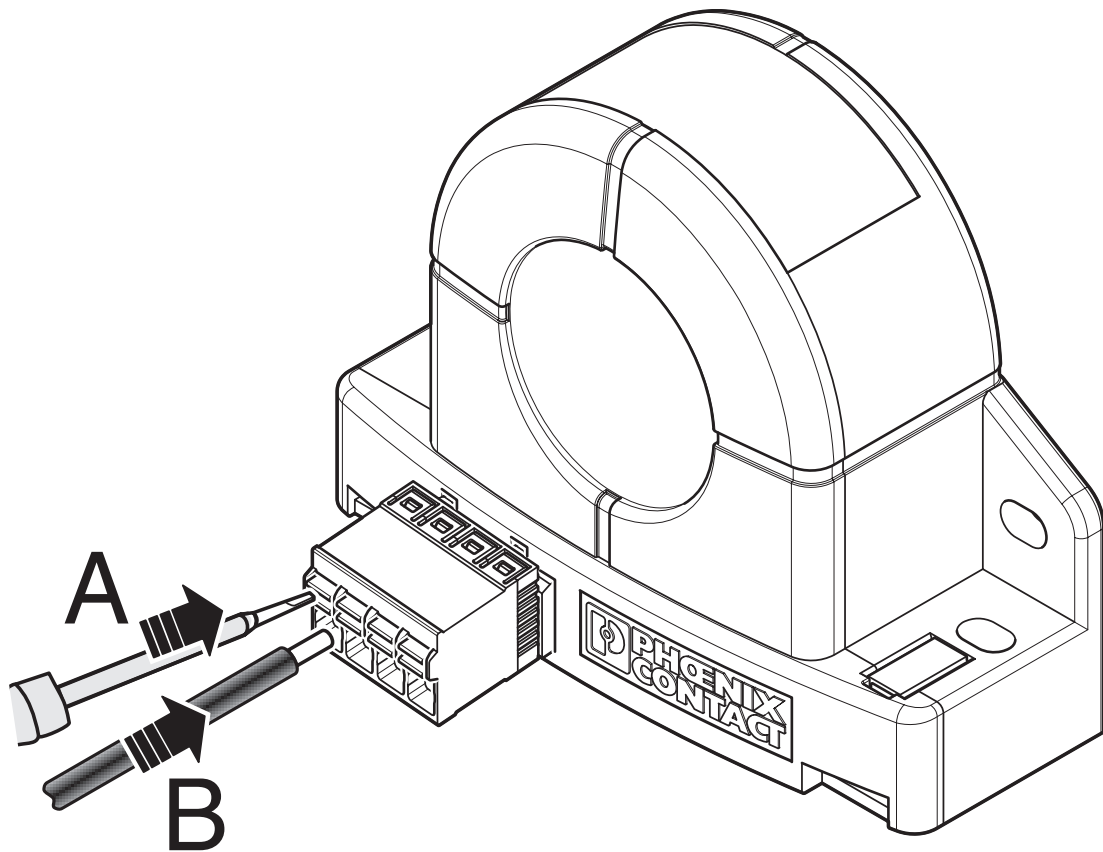
# MCR-SL-CUC-200-I - Universal current transducer



2308030

<https://www.phoenixcontact.com/us/products/2308030>

Schematic diagram



# MCR-SL-CUC-200-I - Universal current transducer



2308030

<https://www.phoenixcontact.com/us/products/2308030>

Circuit diagram



# MCR-SL-CUC-200-I - Universal current transducer



2308030

<https://www.phoenixcontact.com/us/products/2308030>

## Approvals

🔗 To download certificates, visit the product detail page: <https://www.phoenixcontact.com/us/products/2308030>



**EAC**

Approval ID: RU\*DE.\*08.B.01852-19



**cULus Listed**

Approval ID: E123528-20110617

# MCR-SL-CUC-200-I - Universal current transducer



2308030

<https://www.phoenixcontact.com/us/products/2308030>

## Classifications

### ECLASS

|             |          |
|-------------|----------|
| ECLASS-13.0 | 27210123 |
| ECLASS-15.0 | 27210123 |

### ETIM

|           |          |
|-----------|----------|
| ETIM 10.0 | EC002475 |
|-----------|----------|

### UNSPSC

|             |          |
|-------------|----------|
| UNSPSC 21.0 | 39121000 |
|-------------|----------|

# MCR-SL-CUC-200-I - Universal current transducer



2308030

<https://www.phoenixcontact.com/us/products/2308030>

## Environmental product compliance

### EU RoHS

|   |                    |
|---|--------------------|
| Fulfills EU RoHS substance requirements | Yes, No exemptions |
|---|--------------------|

### China RoHS

|  |  |
|--|--|
| Environment friendly use period (EFUP) | EFUP-E                                   |
|  | No hazardous substances above the limits |

### EU REACH SVHC

|                                     |                            |
|-------------------------------------|----------------------------|
| REACH candidate substance (CAS No.) | No substance above 0.1 wt% |
|-------------------------------------|----------------------------|

Phoenix Contact 2026 © - all rights reserved  
<https://www.phoenixcontact.com>

Phoenix Contact USA  
586 Fulling Mill Road  
Middletown, PA 17057, United States  
(+717) 944-1300  
[info@phoenixcon.com](mailto:info@phoenixcon.com)