

# UM-FLK14/SI/LA/PTS/8IM/PLC - Passive module



2306993

<https://www.phoenixcontact.com/us/products/2306993>

Please be informed that the data shown in this PDF document is generated from our online catalog. Please find the complete data in the user documentation. Our general terms of use for downloads are valid.



VARIOFACE module, for 8 channels with additional plus and minus terminal blocks. Each channel is secured with a fuse (5 x 20 mm) and comes with a fuse failure indicator. The signal path can be interrupted with a disconnect knife.

## Commercial data

Item number	2306993
Packing unit	1 pc
Note	Made to order (non-returnable)
Sales key	C429
Product key	DK2A81
GTIN	4017918976743
Weight per piece (including packing)	253.3 g
Weight per piece (excluding packing)	253.3 g
Customs tariff number	85369010
Country of origin	DE

2306993

<https://www.phoenixcontact.com/us/products/2306993>

## Technical data

### Product properties

Product type	Interface module
Product family	VARIOFACE
Number of positions	14
No. of channels	8

### Insulation characteristics: Air clearances and creepage distances

Insulation	Functional insulation
Overvoltage category	II
Pollution degree	2

### Electrical properties

Operating voltage range	19.2 V DC ... 26.4 V DC
Fuse	1 A 5x20 (fast-blow) (F1 ... F8)
	2 A 5x20 (fast-blow) (F9)
Current (per branch)	≤ 1 A
Current (Terminal block -)	≤ 2 A

### Air clearances and creepage distances

Rated insulation voltage	50 V
Rated surge voltage	0.5 kV (1.2/50 μs)

### Supported controller: ABB S800 I/O

Suitable I/O card	DI810
	DI818
	DI830
	DI840
	DO810
	DO840

### Connection data

#### Connection 1 (control level)

Connection in acc. with standard	IEC 60603-13
Connection method	IDC/FLK pin strip
Number of connections	1
Number of positions	14
Insertion/withdrawal cycles	> 50
Pitch	2.54 mm

#### Connection 2 (field level)

Connection method	Screw connection
Stripping length	8 mm
Screw thread	M3

# UM-FLK14/SI/LA/PTS/8IM/PLC - Passive module



2306993

<https://www.phoenixcontact.com/us/products/2306993>

Number of positions	27
Conductor cross-section rigid	0.14 mm <sup>2</sup> ... 1.5 mm <sup>2</sup>
Conductor cross-section flexible	0.25 mm <sup>2</sup> ... 1 mm <sup>2</sup> (Ferrule without plastic sleeve)
	0.25 mm <sup>2</sup> ... 1.5 mm <sup>2</sup> (Ferrule with plastic sleeve)
Conductor cross-section AWG	26 ... 16
Tightening torque	0.5 Nm ... 0.6 Nm
Pitch	5.08 mm

## Connection 3 (field level)

Connection method	PCB terminal block
Type	PCB isolating plugs
Number of connections	1
Number of positions	8
Pitch	5.08 mm

## Signaling

Status display present	yes, if the fuse fails
Error indication	Red LED

## Dimensions

### Item dimensions

Width	54.5 mm
Height	125.4 mm
Depth	69.15 mm

## Material specifications

Housing insulation material	PVC
-----------------------------	-----

## Environmental and real-life conditions

### Ambient conditions

Degree of protection (Module)	IP00
Degree of protection (Installation location)	≥ IP54
Ambient temperature (operation)	-20 °C ... 50 °C
Ambient temperature (storage/transport)	-20 °C ... 70 °C
Altitude	≤ 2000 m

## Standards and regulations

### Air clearances and creepage distances

Standards/regulations	EN IEC 60664-1
-----------------------	----------------

## Mounting

Mounting type	DIN rail mounting
Mounting position	any

2306993

<https://www.phoenixcontact.com/us/products/2306993>

## Notes

Notes on operation

For proper use, the specifications of the installation directive (see Downloads) must be observed. For applications or use with third-party products, the specifications, and the safety and warning instructions of the respective third-party manufacturer must also be met.

# UM-FLK14/SI/LA/PTS/8IM/PLC - Passive module

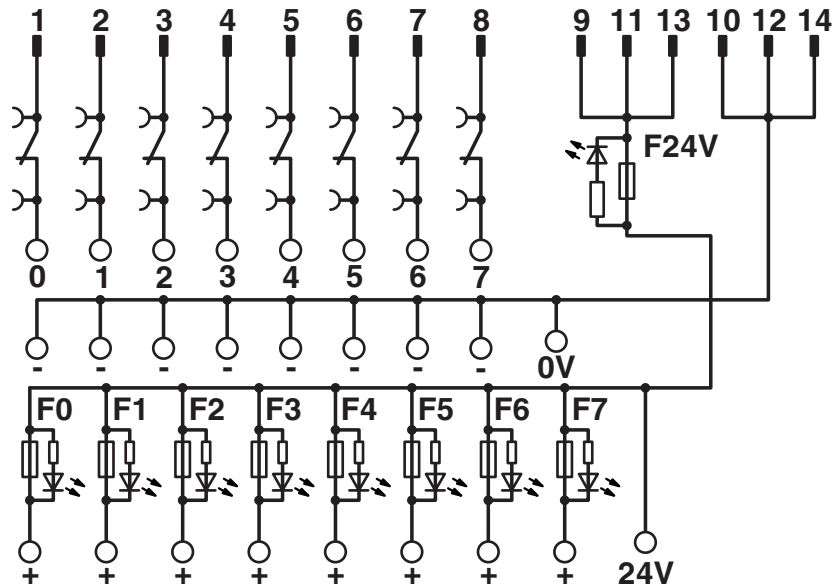


2306993

<https://www.phoenixcontact.com/us/products/2306993>

## Drawings

Circuit diagram



# UM-FLK14/SI/LA/PTS/8IM/PLC - Passive module



2306993

<https://www.phoenixcontact.com/us/products/2306993>

## Classifications

### ECLASS

ECLASS-13.0

27141152

### UNSPSC

UNSPSC 21.0

39121400

2306993

<https://www.phoenixcontact.com/us/products/2306993>

## Environmental product compliance

### EU RoHS

Fulfills EU RoHS substance requirements	Yes
Exemption	6(c)

### China RoHS

Environment friendly use period (EFUP)	EFUP-50
	An article-related China RoHS declaration table can be found in the download area for the respective article under "Manufacturer declaration". For all articles with EFUP-E, no China RoHS declaration table issued and required.

### EU REACH SVHC

REACH candidate substance (CAS No.)	Lead(CAS: 7439-92-1)
-------------------------------------	----------------------

Phoenix Contact 2026 © - all rights reserved  
<https://www.phoenixcontact.com>

Phoenix Contact USA  
586 Fulling Mill Road  
Middletown, PA 17057, United States  
(+717) 944-1300  
[info@phoenixcon.com](mailto:info@phoenixcon.com)