

# PLC-V8/FLK14/OUT/M - System connection



2304102

<https://www.phoenixcontact.com/us/products/2304102>

Please be informed that the data shown in this PDF document is generated from our online catalog. Please find the complete data in the user documentation. Our general terms of use for downloads are valid.



V8 adapter for 8 x PLC-INTERFACE (6.2 mm), controller: PLC system cabling of output cards, connection 1: IDC/FLK pin strip 1x 14-position, connection 2: Plug-in connection (Can be snapped onto 8x PLC-INTERFACE terminals), connection 3: Screw connection 1x 2-position, number of channels: 8, control logic: minusschaltend

## Commercial data

Item number	2304102
Packing unit	1 pc
Minimum order quantity	1 pc
Sales key	C421
Product key	DK21D1
GTIN	4017918924430
Weight per piece (including packing)	106.2 g
Weight per piece (excluding packing)	100 g
Customs tariff number	85369010
Country of origin	DE

# PLC-V8/FLK14/OUT/M - System connection



2304102

<https://www.phoenixcontact.com/us/products/2304102>

## Technical data

### Product properties

Product type	Interface module
Product family	PLC-INTERFACE
Number of positions	14
No. of channels	8

### Insulation characteristics: Air clearances and creepage distances

Insulation	Functional insulation
Overvoltage category	II
Pollution degree	2

### Electrical properties

Operating voltage range	18 V DC ... 33.6 V DC
Current (per branch)	≤ 1 A
Current (Power supply)	≤ 3 A

### Air clearances and creepage distances

Rated insulation voltage	50 V
Rated surge voltage	0.5 kV (1.2/50 μs)

### Supported controller: SIEMENS S7-1500

Suitable I/O card	6ES7522-1BP50-0AA0
	6ES7523-1BP50-0AA0 (DQ32)

### Supported controller: ABB S800 I/O

Suitable I/O card	DO814
	DO818

### Supported controller: YOKOGAWA CS3000 CentumVP

Suitable I/O card	ADV551
	ADV561

### Supported controller: YOKOGAWA STARDOM

Suitable I/O card	NFDV551
	NFDV561

### Supported controller: MITSUBISHI MELSEC Q

Suitable I/O card	QX41
	QX41-S1
	QX42
	QX42-S1
	QH42P

### Supported controller: MITSUBISHI MELSEC L

Suitable I/O card	LX41C4
-------------------	--------

# PLC-V8/FLK14/OUT/M - System connection



2304102

<https://www.phoenixcontact.com/us/products/2304102>

LX42C4

## Connection data

### Connection 1 (control level)

Connection in acc. with standard	IEC 60603-13
Connection method	IDC/FLK pin strip
Number of connections	1
Number of positions	14
Insertion/withdrawal cycles	> 50
Pitch	2.54 mm

### Connection 2 (field level)

Connection method	Plug-in connection
Note	Can be snapped onto 8x PLC-INTERFACE terminals

### Connection 3 (supply)

Connection method	Screw connection
Stripping length	8 mm
Screw thread	M3
Number of connections	1
Number of positions	2
Conductor cross-section rigid	0.2 mm <sup>2</sup> ... 4 mm <sup>2</sup>
Conductor cross-section rigid (2 conductors with same cross section)	0.2 mm <sup>2</sup> ... 1.5 mm <sup>2</sup>
Conductor cross-section flexible	0.2 mm <sup>2</sup> ... 2.5 mm <sup>2</sup>
	0.25 mm <sup>2</sup> ... 2.5 mm <sup>2</sup> (Ferrule without plastic sleeve)
	0.25 mm <sup>2</sup> ... 2.5 mm <sup>2</sup> (Ferrule with plastic sleeve)
Conductor cross-section flexible (2 conductors with same cross section)	0.2 mm <sup>2</sup> ... 1.5 mm <sup>2</sup>
	0.25 mm <sup>2</sup> ... 0.75 mm <sup>2</sup> (Ferrule without plastic sleeve)
	0.5 mm <sup>2</sup> ... 1.5 mm <sup>2</sup> (TWIN ferrule with plastic sleeve)
Conductor cross-section AWG	24 ... 12
Tightening torque	0.5 Nm ... 0.6 Nm
Pitch	5 mm

## Signaling

Status display present	yes
Operating voltage display	Green LED

## Dimensions

### Item dimensions

Width	49.93 mm
Height	41 mm
Depth	55.8 mm

## Material specifications

# PLC-V8/FLK14/OUT/M - System connection



2304102

<https://www.phoenixcontact.com/us/products/2304102>

Color	gray (RAL 7042)
Flammability rating according to UL 94	V0
Housing insulation material	Polyamide PA non-reinforced

## Environmental and real-life conditions

### Ambient conditions

Degree of protection (Module)	IP20
Degree of protection (Installation location)	≥ IP54
Ambient temperature (operation)	-40 °C ... 70 °C
Ambient temperature (storage/transport)	-40 °C ... 70 °C
Altitude	≤ 2000 m

## Approvals

### CE

Certificate	CE-compliant
-------------	--------------

### UKCA

Certificate	UKCA-compliant
-------------	----------------

### UL, USA/Canada

Identification	Class I, Div. 2, Groups A, B, C, D T4
----------------	---------------------------------------

### UL, Canada

Identification	Class I, Zone 2, Ex ec IIC Gc T4 X
----------------	------------------------------------

### UL, USA

Identification	Class I, Zone 2, AEx ec IIC T4
----------------	--------------------------------

### Shipbuilding approval

Certificate	TAE0000196
-------------	------------

### Shipbuilding data

Temperature	D
Humidity	A
Vibration	C
EMC	B
Enclosure	Required protection according to the Rules shall be provided upon installation on board

## EMC data

Electromagnetic compatibility	Conformance with EMC directive
Low Voltage Directive	Conformance with Low Voltage Directive

## Standards and regulations

### Air clearances and creepage distances

Standards/regulations	EN IEC 60664-1
-----------------------	----------------

# PLC-V8/FLK14/OUT/M - System connection



2304102

<https://www.phoenixcontact.com/us/products/2304102>

## Mounting

Mounting type	Plug-on assembly
Assembly note	in rows with zero spacing
Mounting position	any

## Notes

Notes on operation	For proper use, the specifications of the installation directive (see Downloads) must be observed. For applications or use with third-party products, the specifications, and the safety and warning instructions of the respective third-party manufacturer must also be met.
--------------------	--

# PLC-V8/FLK14/OUT/M - System connection

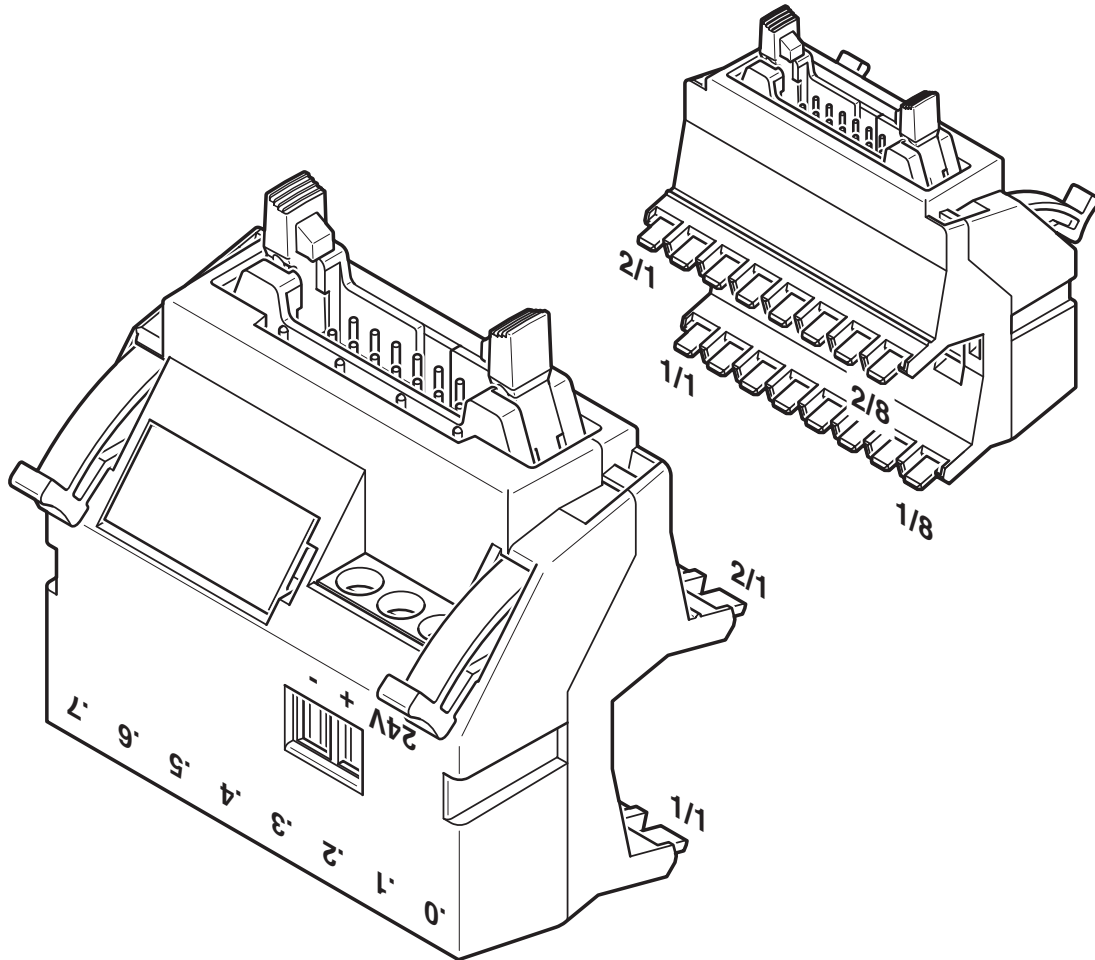


2304102

<https://www.phoenixcontact.com/us/products/2304102>

## Drawings

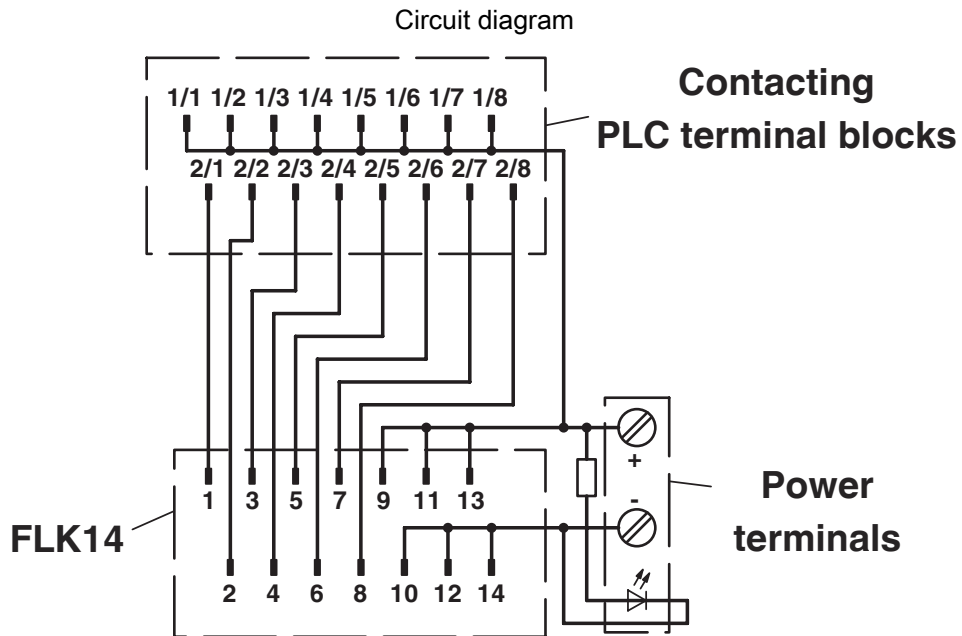
Schematic diagram



# PLC-V8/FLK14/OUT/M - System connection

2304102

<https://www.phoenixcontact.com/us/products/2304102>



PLC-V8/FLK14/OUT/M connection scheme

# PLC-V8/FLK14/OUT/M - System connection



2304102

<https://www.phoenixcontact.com/us/products/2304102>

## Approvals

To download certificates, visit the product detail page: <https://www.phoenixcontact.com/us/products/2304102>

 <b>cUL Recognized</b> Approval ID: E238705				
	Nominal voltage $U_N$	Nominal current $I_N$	Cross section AWG	Cross section $mm^2$
keine				
	24 V	1 A	-	-

 <b>UL Recognized</b> Approval ID: E238705				
	Nominal voltage $U_N$	Nominal current $I_N$	Cross section AWG	Cross section $mm^2$
keine				
	24 V	1 A	-	-

 <b>UL Listed</b> Approval ID: FILE E 172140				
--	--	--	--	--

 <b>cUL Listed</b> Approval ID: FILE E 172140				
---	--	--	--	--

<b>DNV</b> Approval ID: TAE0000196				
---------------------------------------	--	--	--	--

 <b>cUL Listed</b> Approval ID: E199827				
---	--	--	--	--

 <b>UL Listed</b> Approval ID: E199827				
--	--	--	--	--

# PLC-V8/FLK14/OUT/M - System connection



2304102

<https://www.phoenixcontact.com/us/products/2304102>

## Classifications

### ECLASS

ECLASS-13.0	27141152
ECLASS-15.0	27141152

### ETIM

ETIM 10.0	EC002780
-----------	----------

### UNSPSC

UNSPSC 21.0	39121400
-------------	----------

2304102

<https://www.phoenixcontact.com/us/products/2304102>

## Environmental product compliance

### EU RoHS

Fulfills EU RoHS substance requirements	Yes
Exemption	6(c)

### China RoHS

Environment friendly use period (EFUP)	EFUP-50
	An article-related China RoHS declaration table can be found in the download area for the respective article under "Manufacturer declaration". For all articles with EFUP-E, no China RoHS declaration table issued and required.

### EU REACH SVHC

REACH candidate substance (CAS No.)	Hexahydromethylphthalic anhydride(CAS: n/a)
	Lead(CAS: 7439-92-1)
SCIP	8714af15-a9b8-4117-9ea1-710aeb8c2e65

### EF3.1 Climate Change

CO2e kg	1.579 kg CO2e
---------	---------------

Phoenix Contact 2026 © - all rights reserved  
<https://www.phoenixcontact.com>

Phoenix Contact USA  
 586 Fulling Mill Road  
 Middletown, PA 17057, United States  
 (+717) 944-1300  
[info@phoenixcon.com](mailto:info@phoenixcon.com)