

FLKM 50-PA-AB/1756/IN/EXTC - Front adapter



2302748

<https://www.phoenixcontact.com/us/products/2302748>

Please be informed that the data shown in this PDF document is generated from our online catalog. Please find the complete data in the user documentation. Our general terms of use for downloads are valid.



VARIOFACE front adapters, for Allen Bradley ControlLogix and Honeywell PlantScape, input card IB 32.

The front adapters are pushed into the high 1756-TBE hoods (not supplied as standard).

Commercial data

Item number	2302748
Packing unit	1 pc
Minimum order quantity	1 pc
Sales key	C421
Product key	DK231S
GTIN	4017918910471
Weight per piece (including packing)	65 g
Weight per piece (excluding packing)	62.7 g
Customs tariff number	85369010
Country of origin	DE

Technical data

Product properties

Product type	Front adapter
Product family	VARIOFACE

Insulation characteristics: Air clearances and creepage distances

Insulation	Functional insulation
Overvoltage category	II
Pollution degree	2

Electrical properties

Operating voltage (AC)	≤ 30 V AC
Operating voltage (DC)	≤ 60 V DC
Nominal operating mode	100% operating factor
Current (per branch)	≤ 1 A

Air clearances and creepage distances

Rated insulation voltage	63 V
Rated surge voltage	0.6 kV (1.2/50 μs)

Supported controller: ALLEN-BRADLEY ControlLogix

Suitable I/O card	1756-IB32
-------------------	-----------

Supported controller: HONEYWELL Experion PKS C200

Suitable I/O card	TC-IDD 321
-------------------	------------

Connection data

Connection 1 (control level)

Connection method	Plug-in connection
Number of positions	36

Connection 2 (field level)

Connection in acc. with standard	IEC 60603-13
Connection method	IDC/FLK pin strip
Number of connections	1
Number of positions	50
Insertion/withdrawal cycles	> 50
Pitch	2.54 mm

Connection 3 (supply)

Connection method	Screw connection
Stripping length	7 mm
Screw thread	M3
Number of positions	4
Conductor cross-section rigid	0.14 mm ² ... 1.5 mm ²

FLKM 50-PA-AB/1756/IN/EXTC - Front adapter



2302748

<https://www.phoenixcontact.com/us/products/2302748>

Conductor cross-section rigid (2 conductors with same cross section)	0.08 mm ² ... 0.5 mm ²
Conductor cross-section flexible	0.14 mm ² ... 1.5 mm ²
	0.25 mm ² ... 1.5 mm ² (Ferrule without plastic sleeve)
	0.25 mm ² ... 0.75 mm ² (Ferrule with plastic sleeve)
Conductor cross-section flexible (2 conductors with same cross section)	0.08 mm ² ... 0.75 mm ²
	0.25 mm ² ... 0.34 mm ² (Ferrule without plastic sleeve)
	0.5 mm ² ... 0.5 mm ² (TWIN ferrule with plastic sleeve)
Conductor cross-section AWG	28 ... 16
Tightening torque	0.22 Nm ... 0.25 Nm
Pitch	3.81 mm

Dimensions

Item dimensions

Width	104.9 mm
Height	33 mm
Depth	40.84 mm

Environmental and real-life conditions

Ambient conditions

Degree of protection (Module)	IP00
Degree of protection (Installation location)	≥ IP54
Ambient temperature (operation)	-20 °C ... 50 °C
Ambient temperature (storage/transport)	-20 °C ... 70 °C
Altitude	≤ 2000 m

Standards and regulations

Air clearances and creepage distances

Standards/regulations	EN IEC 60664-1
-----------------------	----------------

Mounting

Mounting type	Plug-in mounting
Mounting position	any

Notes

Notes on operation	For proper use, the specifications of the installation directive (see Downloads) must be observed. For applications or use with third-party products, the specifications, and the safety and warning instructions of the respective third-party manufacturer must also be met.
--------------------	--

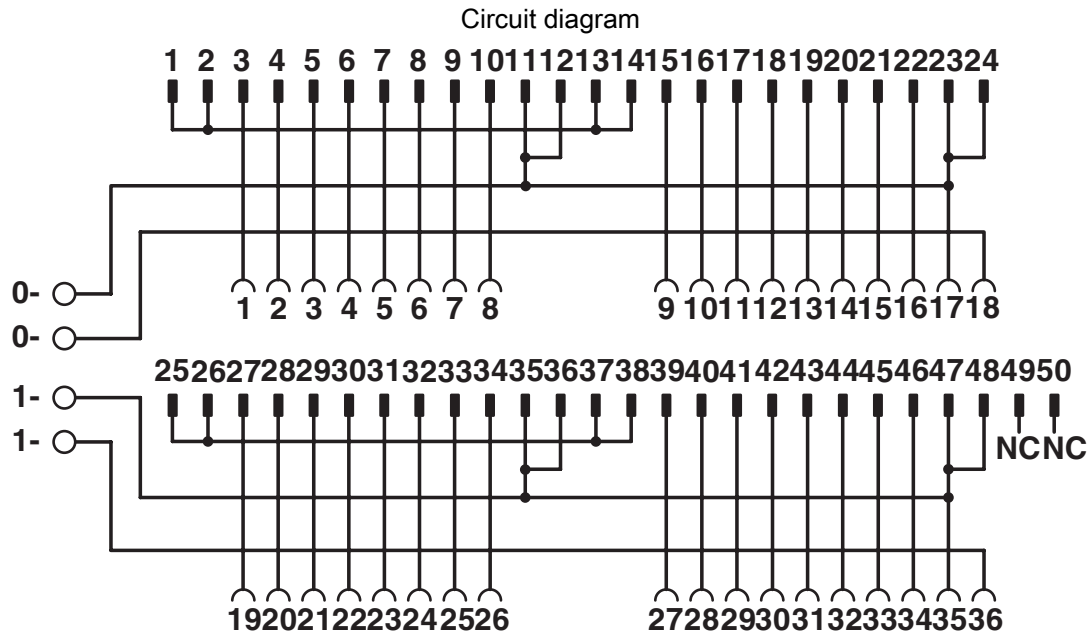
FLKM 50-PA-AB/1756/IN/EXTC - Front adapter



2302748

<https://www.phoenixcontact.com/us/products/2302748>

Drawings



Connection scheme FLKM 50-PA-AB/1756/IN/EXTC

FLKM 50-PA-AB/1756/IN/EXTC - Front adapter





2302748

<https://www.phoenixcontact.com/us/products/2302748>

Approvals

To download certificates, visit the product detail page: <https://www.phoenixcontact.com/us/products/2302748>

 cUL Recognized Approval ID: E238705				
	Nominal voltage U_N	Nominal current I_N	Cross section AWG	Cross section mm^2
keine				
	125 V	1 A	-	-

 UL Recognized Approval ID: E238705				
	Nominal voltage U_N	Nominal current I_N	Cross section AWG	Cross section mm^2
keine				
	125 V	1 A	-	-

FLKM 50-PA-AB/1756/IN/EXTC - Front adapter



2302748

<https://www.phoenixcontact.com/us/products/2302748>

Classifications

ECLASS

ECLASS-13.0	27242292
ECLASS-15.0	27242292

ETIM

ETIM 10.0	EC002584
-----------	----------

UNSPSC

UNSPSC 21.0	32151600
-------------	----------

2302748

<https://www.phoenixcontact.com/us/products/2302748>

Environmental product compliance

EU RoHS

Fulfills EU RoHS substance requirements	Yes
Exemption	6(c)

China RoHS

Environment friendly use period (EFUP)	EFUP-50
	An article-related China RoHS declaration table can be found in the download area for the respective article under "Manufacturer declaration". For all articles with EFUP-E, no China RoHS declaration table issued and required.

EU REACH SVHC

REACH candidate substance (CAS No.)	Lead(CAS: 7439-92-1)
SCIP	51622aad-fd34-471e-8b78-18f128637d39

Phoenix Contact 2026 © - all rights reserved

<https://www.phoenixcontact.com>

Phoenix Contact USA
586 Fulling Mill Road
Middletown, PA 17057, United States
(+717) 944-1300
info@phoenixcon.com