

FLKM 14-PA-AB/1769/IN - Front adapter



2302450

<https://www.phoenixcontact.com/us/products/2302450>

Please be informed that the data shown in this PDF document is generated from our online catalog. Please find the complete data in the user documentation. Our general terms of use for downloads are valid.

VARIOFACE front adapters, for Allen Bradley CompactLogix



Commercial data

Item number	2302450
Packing unit	1 pc
Minimum order quantity	1 pc
Note	Made to order (non-returnable)
Sales key	C421
Product key	DK2BMR
GTIN	4046356683579
Weight per piece (including packing)	1 g
Weight per piece (excluding packing)	1 g
Customs tariff number	85369010
Country of origin	US

FLKM 14-PA-AB/1769/IN - Front adapter



2302450

<https://www.phoenixcontact.com/us/products/2302450>

Technical data

Product properties

Product type	Front adapter
--------------	---------------

Notes

Notes on operation	For proper use, the specifications of the installation directive (see Downloads) must be observed. For applications or use with third-party products, the specifications, and the safety and warning instructions of the respective third-party manufacturer must also be met.
--------------------	--

Trade restriction

CE note	The products are offered exclusively for export outside the EU and the European Economic Area.
---------	--

FLKM 14-PA-AB/1769/IN - Front adapter

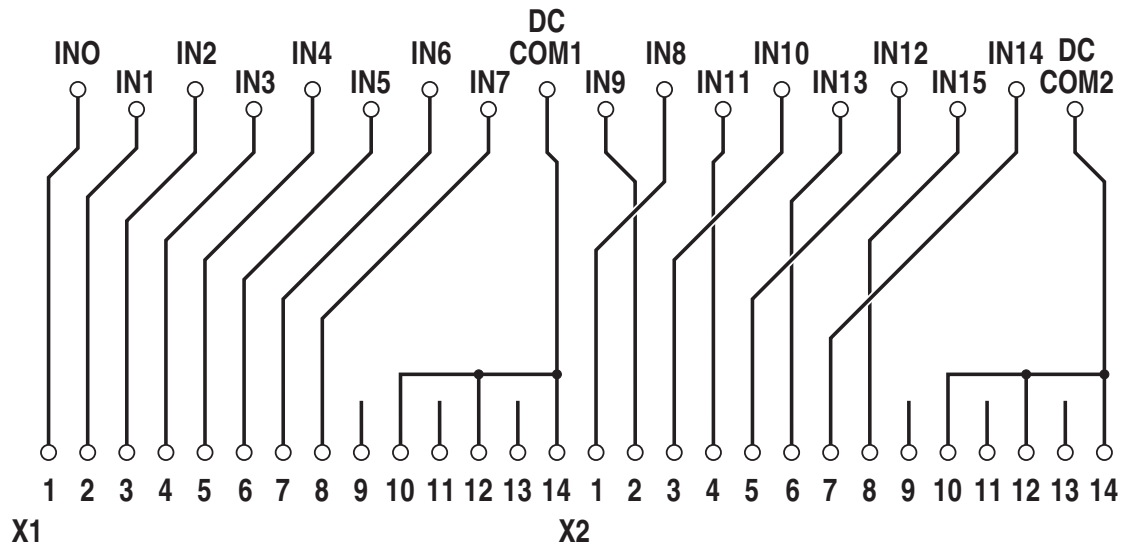


2302450

<https://www.phoenixcontact.com/us/products/2302450>

Drawings

Circuit diagram



FLKM 14-PA-AB/1769/IN - Front adapter



2302450

<https://www.phoenixcontact.com/us/products/2302450>

Classifications

ECLASS

ECLASS-13.0	27242292
ECLASS-15.0	27242292

FLKM 14-PA-AB/1769/IN - Front adapter



2302450

<https://www.phoenixcontact.com/us/products/2302450>

Environmental product compliance

EU RoHS

Fulfills EU RoHS substance requirements	Not applicable, Not qualified for the European market
---	---

China RoHS

Environment friendly use period (EFUP)	EFUP-50
	An article-related China RoHS declaration table can be found in the download area for the respective article under "Manufacturer declaration". For all articles with EFUP-E, no China RoHS declaration table issued and required.

EU REACH SVHC

REACH candidate substance (CAS No.)	No substance above 0.1 wt%
-------------------------------------	----------------------------

Phoenix Contact 2026 © - all rights reserved

<https://www.phoenixcontact.com>

Phoenix Contact USA
586 Fulling Mill Road
Middletown, PA 17057, United States
(+717) 944-1300
info@phoenixcon.com