

# PLC-VT/ACT/LA - Feed-through terminal block



2296867

<https://www.phoenixcontact.com/us/products/2296867>

Please be informed that the data shown in this PDF document is generated from our online catalog. Please find the complete data in the user documentation. Our general terms of use for downloads are valid.



VARIOFACE feed-through terminal block (3-conductor screw connection), for PLC-INTERFACE actuator series, with 24 V DC LED display

## Your advantages

- Can be combined with PLC-INTERFACE actuator series
- With LED as an option
- Signal path with two additional potential levels for free assignment (3-conductor connection)

## Commercial data

Item number	2296867
Packing unit	10 pc
Minimum order quantity	10 pc
Sales key	C421
Product key	DK21D6
GTIN	4017918821616
Weight per piece (including packing)	34.21 g
Weight per piece (excluding packing)	28.31 g
Customs tariff number	85369010
Country of origin	DE

# PLC-VT/ACT/LA - Feed-through terminal block



2296867

<https://www.phoenixcontact.com/us/products/2296867>

## Technical data

### Notes

Notes on operation	For proper use, the specifications of the installation directive (see Downloads) must be observed. For applications or use with third-party products, the specifications, and the safety and warning instructions of the respective third-party manufacturer must also be met.
--------------------	--

### Product properties

Product type	Feed-through terminal block
Product family	PLC-INTERFACE

#### Insulation characteristics: Air clearances and creepage distances

Insulation	Functional insulation
Overvoltage category	II
Pollution degree	2

### Electrical properties

Operating voltage range	18 V DC ... 33.6 V DC
Current (per branch)	≤ 6 A
Current (per connection terminal block with bridge shaft)	≤ 6 A

#### Air clearances and creepage distances

Rated insulation voltage	50 V
Rated surge voltage	0.5 kV (1.2/50 μs)

### Connection data

Connection method	Screw connection
Stripping length	8 mm
Screw thread	M3
Number of positions	5
Conductor cross-section rigid	0.2 mm <sup>2</sup> ... 4 mm <sup>2</sup>
Conductor cross-section flexible	0.2 mm <sup>2</sup> ... 2.5 mm <sup>2</sup>
Conductor cross-section AWG	24 ... 12

### Signaling

Status display	LED (yellow)
Status display present	yes

### Dimensions

#### Item dimensions

Width	6.1 mm
Height	80 mm
Depth	92.5 mm

# PLC-VT/ACT/LA - Feed-through terminal block



2296867

<https://www.phoenixcontact.com/us/products/2296867>

## Material specifications

Color	gray (RAL 7042)
Flammability rating according to UL 94	V0

## Environmental and real-life conditions

### Ambient conditions

Degree of protection (Module)	IP20
Degree of protection (Installation location)	≥ IP54
Ambient temperature (operation)	-40 °C ... 70 °C
Ambient temperature (storage/transport)	-40 °C ... 70 °C
Altitude	≤ 2000 m

## Approvals

### CE

Certificate	CE-compliant
-------------	--------------

### UKCA

Certificate	UKCA-compliant
-------------	----------------

### Shipbuilding approval

Certificate	TAE0000196
-------------	------------

### Shipbuilding data

Temperature	D
Humidity	A
Vibration	B/C
EMC	B
Enclosure	Required protection according to the Rules shall be provided upon installation on board

## EMC data

Electromagnetic compatibility	Conformance with EMC directive
Low Voltage Directive	Conformance with Low Voltage Directive

## Standards and regulations

### Air clearances and creepage distances

Standards/regulations	EN IEC 60664-1
-----------------------	----------------

## Mounting

Mounting type	DIN rail mounting
Assembly note	in rows with zero spacing
Mounting position	any

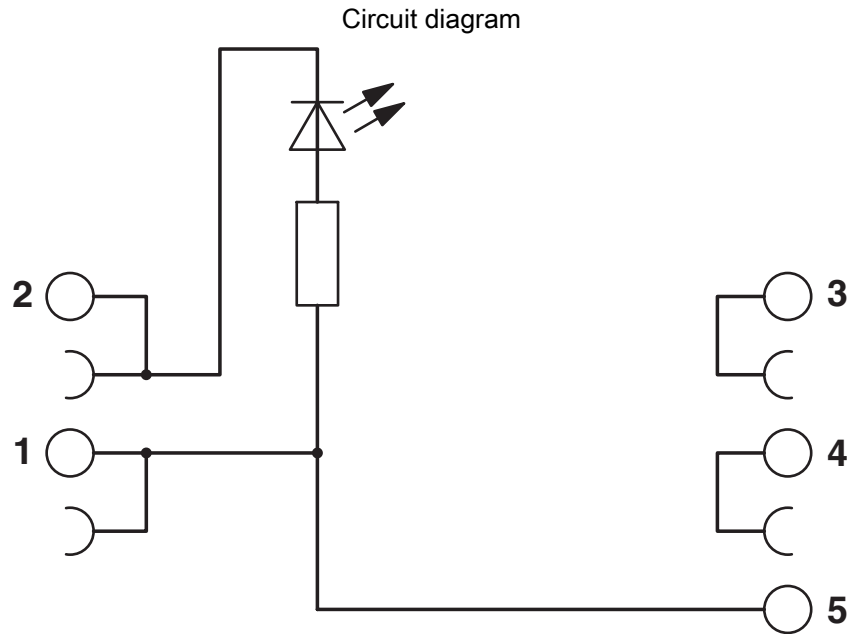
# PLC-VT/ACT/LA - Feed-through terminal block



2296867

<https://www.phoenixcontact.com/us/products/2296867>

## Drawings



PLC-VT/ACT/LA connection scheme

# PLC-VT/ACT/LA - Feed-through terminal block





2296867

<https://www.phoenixcontact.com/us/products/2296867>

## Approvals

To download certificates, visit the product detail page: <https://www.phoenixcontact.com/us/products/2296867>

 <b>cUL Recognized</b> Approval ID: E238705				
	Nominal voltage $U_N$	Nominal current $I_N$	Cross section AWG	Cross section $\text{mm}^2$
keine				
	20 V	6 A	-	-

 <b>UL Recognized</b> Approval ID: E238705				
	Nominal voltage $U_N$	Nominal current $I_N$	Cross section AWG	Cross section $\text{mm}^2$
keine				
	20 V	6 A	-	-

<b>DNV</b> Approval ID: TAE0000196				
---------------------------------------	--	--	--	--

# PLC-VT/ACT/LA - Feed-through terminal block



2296867

<https://www.phoenixcontact.com/us/products/2296867>

## Classifications

### ECLASS

ECLASS-13.0	27371692
ECLASS-15.0	27371692

### ETIM

ETIM 10.0	EC002586
-----------	----------

### UNSPSC

UNSPSC 21.0	39122300
-------------	----------

# PLC-VT/ACT/LA - Feed-through terminal block



2296867

<https://www.phoenixcontact.com/us/products/2296867>

## Environmental product compliance

### EU RoHS

Fulfills EU RoHS substance requirements	Yes, No exemptions
---	--------------------

### China RoHS

Environment friendly use period (EFUP)	EFUP-E
	No hazardous substances above the limits

### EU REACH SVHC

REACH candidate substance (CAS No.)	Hexahydromethylphthalic anhydride(CAS: n/a)
SCIP	3b37835a-cd16-4577-a1db-e849d4be7b81

Phoenix Contact 2026 © - all rights reserved

<https://www.phoenixcontact.com>

Phoenix Contact USA  
586 Fulling Mill Road  
Middletown, PA 17057, United States  
(+717) 944-1300  
[info@phoenixcon.com](mailto:info@phoenixcon.com)