

PLC-V8/FLK14/IN - System connection



2296553

<https://www.phoenixcontact.com/us/products/2296553>

Please be informed that the data shown in this PDF document is generated from our online catalog. Please find the complete data in the user documentation. Our general terms of use for downloads are valid.



V8 adapter for 8 x PLC-INTERFACE (6.2 mm), controller: PLC system cabling of input cards, connection 1: IDC/FLK pin strip 1x 14-position, connection 2: Plug-in connection (Can be snapped onto 8x PLC-INTERFACE terminals), connection 3: Screw connection 1x 2-position, number of channels: 8, control logic: positive switching

Commercial data

Item number	2296553
Packing unit	1 pc
Minimum order quantity	1 pc
Sales key	C421
Product key	DK21D1
GTIN	4017918189150
Weight per piece (including packing)	107 g
Weight per piece (excluding packing)	100 g
Customs tariff number	85366990
Country of origin	DE

Technical data

Product properties

Product type	Interface module
Product family	PLC-INTERFACE
Number of positions	14
No. of channels	8

Insulation characteristics: Air clearances and creepage distances

Insulation	Functional insulation
Overvoltage category	II
Pollution degree	2

Electrical properties

Operating voltage range	18 V DC ... 33.6 V DC
Current (per branch)	≤ 1 A
Current (Power supply)	≤ 3 A

Air clearances and creepage distances

Rated insulation voltage	50 V
Rated surge voltage	0.5 kV (1.2/50 μs)

Supported controller: SIEMENS S7-1500

Suitable I/O card	6ES7521-1BH00-0AB0
	6ES7521-1BL00-0AB0
	6ES7521-1BP00-0AA0 (Sinking mode)
	6ES7523-1BP50-0AA0 (DI32 (Sinking mode))

Supported controller: ABB S800 I/O

Suitable I/O card	DI810
	DI818
	DI830
	DI840

Supported controller: ALLEN-BRADLEY ControlLogix

Suitable I/O card	1756-IB32
	1756-IB16

Supported controller: SIEMENS S7-400

Suitable I/O card	6ES7421-1BL01-0AA0
-------------------	--------------------

Supported controller: HONEYWELL Experion PKS C200

Suitable I/O card	TC-IDD 321
-------------------	------------

Supported controller: MITSUBISHI MELSEC Q

Suitable I/O card	QX81
	QX82

PLC-V8/FLK14/IN - System connection



2296553

<https://www.phoenixcontact.com/us/products/2296553>

	QX82-S1
Supported controller: MITSUBISHI MELSEC L	
Suitable I/O card	LX41C4
	LX42C4
Supported controller: SIEMENS S7-300 / ET 200 M	
Suitable I/O card	CPU 313C-2DP
	CPU 314C-2DP
	CPU 314C-2PtP
	6ES7321-1BH02-0AA0
	6ES7321-1BL00-0AA0
	6ES7323-1BH01-0AA0
	6ES7323-1BL00-0AA0
	6ES7321-1BH10-0AA0
	CPU 313C
	CPU 313C-2PtP
Supported controller: SCHNEIDER ELECTRIC Modicon TSX QUANTUM	
Suitable I/O card	DDI 353
	DDI 853
Supported controller: EMERSON DeltaV	
Suitable I/O card	VE4001S2T2B3
Supported controller: GE-FANUC RX3i	
Suitable I/O card	IC694MDL660
Supported controller: YOKOGAWA CS3000 CentumVP	
Suitable I/O card	ADV151
	ADV161
Supported controller: YOKOGAWA STARDOM	
Suitable I/O card	NFDV151
	NFDV161

Connection data

Connection 1 (control level)

Connection in acc. with standard	IEC 60603-13
Connection method	IDC/FLK pin strip
Number of connections	1
Number of positions	14
Insertion/withdrawal cycles	> 50
Pitch	2.54 mm

Connection 2 (field level)

Connection method	Plug-in connection
-------------------	--------------------

PLC-V8/FLK14/IN - System connection



2296553

<https://www.phoenixcontact.com/us/products/2296553>

Note	Can be snapped onto 8x PLC-INTERFACE terminals
------	--

Connection 3 (supply)

Connection method	Screw connection
Stripping length	8 mm
Screw thread	M3
Number of connections	1
Number of positions	2
Conductor cross-section rigid	0.2 mm ² ... 4 mm ²
Conductor cross-section rigid (2 conductors with same cross section)	0.2 mm ² ... 1.5 mm ²
Conductor cross-section flexible	0.2 mm ² ... 2.5 mm ²
	0.25 mm ² ... 2.5 mm ² (Ferrule without plastic sleeve)
	0.25 mm ² ... 2.5 mm ² (Ferrule with plastic sleeve)
Conductor cross-section flexible (2 conductors with same cross section)	0.2 mm ² ... 1.5 mm ²
	0.25 mm ² ... 0.75 mm ² (Ferrule without plastic sleeve)
	0.5 mm ² ... 1.5 mm ² (TWIN ferrule with plastic sleeve)
Conductor cross-section AWG	24 ... 12
Tightening torque	0.5 Nm ... 0.6 Nm
Pitch	5 mm

Signaling

Status display present	yes
Operating voltage display	Green LED

Dimensions

Item dimensions

Width	49.93 mm
Height	41 mm
Depth	55.8 mm

Material specifications

Color	gray (RAL 7042)
Flammability rating according to UL 94	V0
Housing insulation material	Polyamide 6.6 green

Environmental and real-life conditions

Ambient conditions

Degree of protection (Module)	IP20
Degree of protection (Installation location)	≥ IP54
Ambient temperature (operation)	-40 °C ... 70 °C
Ambient temperature (storage/transport)	-40 °C ... 70 °C
Altitude	≤ 2000 m

Approvals

CE

Certificate	CE-compliant
-------------	--------------

UKCA

Certificate	UKCA-compliant
-------------	----------------

UL, USA/Canada

Identification	Class I, Div. 2, Groups A, B, C, D T4
----------------	---------------------------------------

UL, Canada

Identification	Class I, Zone 2, Ex ec IIC Gc T4 X
----------------	------------------------------------

UL, USA

Identification	Class I, Zone 2, AEx ec IIC T4
----------------	--------------------------------

Shipbuilding approval

Certificate	TAE0000196
-------------	------------

Shipbuilding data

Temperature	D
Humidity	A
Vibration	C
EMC	B
Enclosure	Required protection according to the Rules shall be provided upon installation on board

EMC data

Electromagnetic compatibility	Conformance with EMC directive
Low Voltage Directive	Conformance with Low Voltage Directive

Standards and regulations

Air clearances and creepage distances

Standards/regulations	EN IEC 60664-1
-----------------------	----------------

Mounting

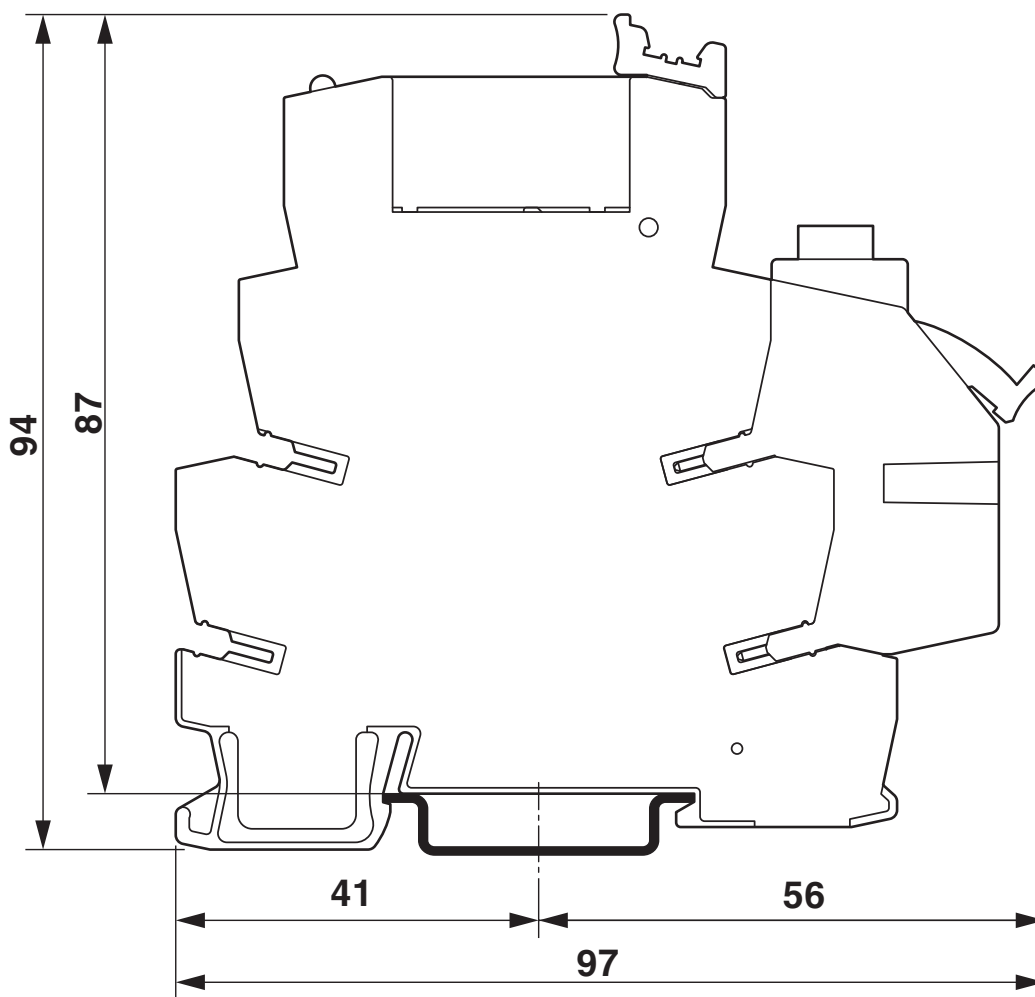
Mounting type	Plug-on assembly
Assembly note	in rows with zero spacing
Mounting position	any

Notes

Notes on operation	For proper use, the specifications of the installation directive (see Downloads) must be observed. For applications or use with third-party products, the specifications, and the safety and warning instructions of the respective third-party manufacturer must also be met.
--------------------	--

Drawings

Dimensional drawing



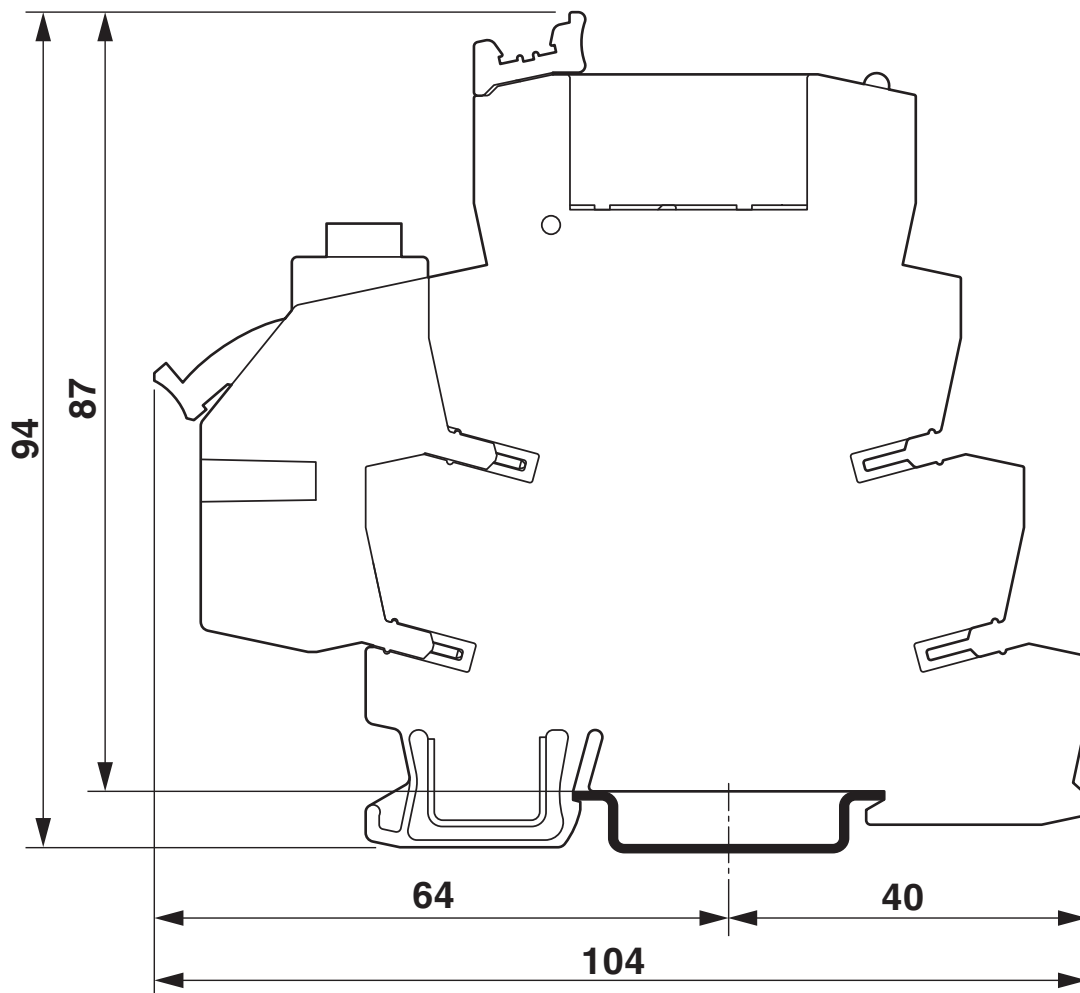
PLC-V8/FLK14/IN - System connection



2296553

<https://www.phoenixcontact.com/us/products/2296553>

Dimensional drawing

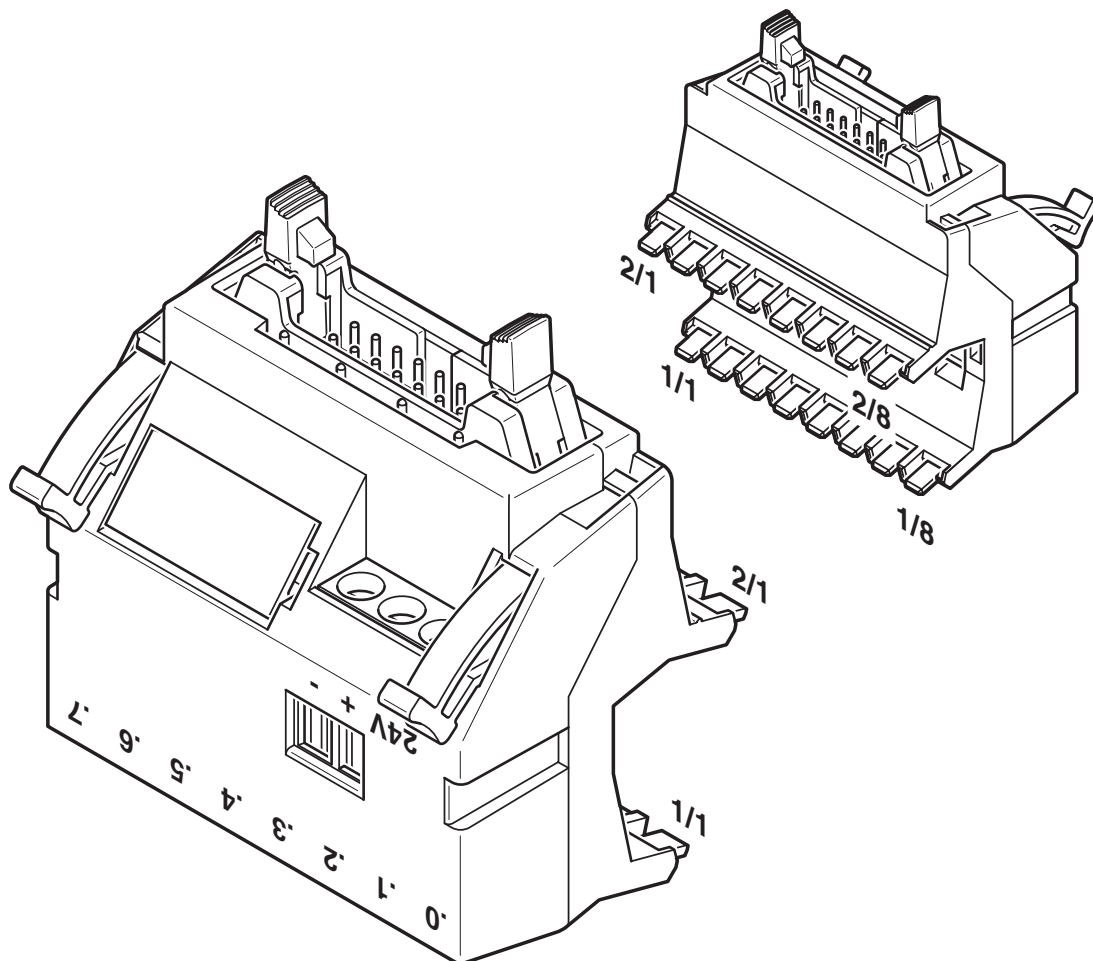


PLC-V8/FLK14/IN - System connection

2296553

<https://www.phoenixcontact.com/us/products/2296553>

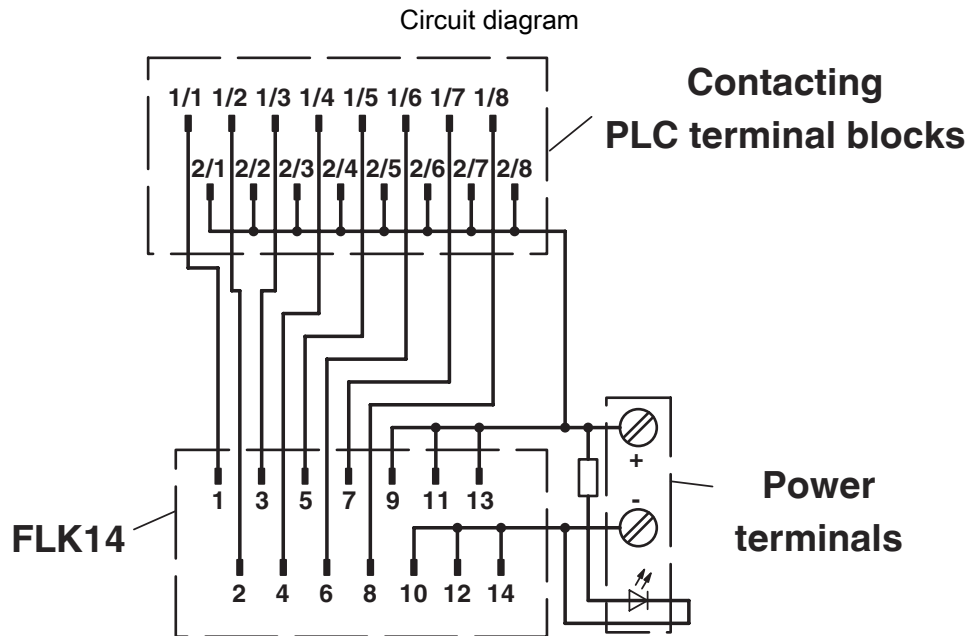
Schematic diagram



PLC-V8/FLK14/IN - System connection

2296553

<https://www.phoenixcontact.com/us/products/2296553>



Connection scheme: PLC-V8/FLK14/IN

PLC-V8/FLK14/IN - System connection





2296553


<https://www.phoenixcontact.com/us/products/2296553>


Approvals

To download certificates, visit the product detail page: <https://www.phoenixcontact.com/us/products/2296553>


 cUL Recognized Approval ID: E238705				
	Nominal voltage U_N	Nominal current I_N	Cross section AWG	Cross section mm^2
keine				
	24 V	1 A	-	-


 UL Recognized Approval ID: E238705				
	Nominal voltage U_N	Nominal current I_N	Cross section AWG	Cross section mm^2
keine				
	24 V	1 A	-	-

 UL Listed Approval ID: FILE E 172140				
--	--	--	--	--

 cUL Listed Approval ID: FILE E 172140				
---	--	--	--	--

DNV Approval ID: TAE0000196				
---------------------------------------	--	--	--	--

 cUL Listed Approval ID: E199827				
---	--	--	--	--

 UL Listed Approval ID: E199827				
--	--	--	--	--

PLC-V8/FLK14/IN - System connection



2296553

<https://www.phoenixcontact.com/us/products/2296553>

Classifications

ECLASS

ECLASS-13.0	27141152
ECLASS-15.0	27141152

ETIM

ETIM 10.0	EC002780
-----------	----------

UNSPSC

UNSPSC 21.0	39121400
-------------	----------

PLC-V8/FLK14/IN - System connection



2296553

<https://www.phoenixcontact.com/us/products/2296553>

Environmental product compliance

EU RoHS

Fulfills EU RoHS substance requirements	Yes
Exemption	6(c)

China RoHS

Environment friendly use period (EFUP)	EFUP-50
	An article-related China RoHS declaration table can be found in the download area for the respective article under "Manufacturer declaration". For all articles with EFUP-E, no China RoHS declaration table issued and required.

EU REACH SVHC

REACH candidate substance (CAS No.)	Hexahydromethylphthalic anhydride(CAS: n/a)
	Lead(CAS: 7439-92-1)
SCIP	549f71ec-7757-4ec2-b26b-19af5b5c91c4

EF3.1 Climate Change

CO2e kg	1.417 kg CO2e
---------	---------------

Phoenix Contact 2026 © - all rights reserved
<https://www.phoenixcontact.com>

Phoenix Contact USA
586 Fulling Mill Road
Middletown, PA 17057, United States
(+717) 944-1300
info@phoenixcon.com