

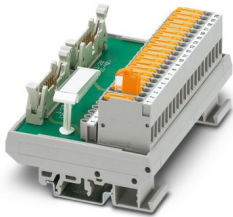
# FLKM-2FLK14/KDS3-MT/PPA/S7 - Passive module



2295062

<https://www.phoenixcontact.com/us/products/2295062>

Please be informed that the data shown in this PDF document is generated from our online catalog. Please find the complete data in the user documentation. Our general terms of use for downloads are valid.



VARIOFACE termination board for Siemens SIMATIC® S7-300, for max. 16 channels with SIMATIC®-specific marking (1-20), knife-disconnect terminal block, and test pick-off, module width: 113 mm

## Your advantages

- Numerical labeling (1 - 20)
- Specifically for S7-300 (in conjunction with the FLKM 14-PA-S300 front adapter, Item No. 2299770)

## Commercial data

Item number	2295062
Packing unit	1 pc
Minimum order quantity	1 pc
Sales key	C421
Product key	DK218S
GTIN	4017918339982
Weight per piece (including packing)	261.3 g
Weight per piece (excluding packing)	251.8 g
Customs tariff number	85369010
Country of origin	DE

2295062

<https://www.phoenixcontact.com/us/products/2295062>

## Technical data

### Product properties

Product type	Interface module
Product family	VARIOFACE
Number of positions	14
No. of channels	2
	4
	6
	8
	16

### Insulation characteristics: Air clearances and creepage distances

Insulation	Functional insulation
Overvoltage category	II
Pollution degree	2

### Electrical properties

Operating voltage (DC)	≤ 60 V DC
Current (per branch)	≤ 1 A
Current (Voltage supply)	≤ 3 A

### Air clearances and creepage distances

Rated insulation voltage	63 V
Rated surge voltage	0.6 kV (1.2/50 μs)

### Supported controller: GE-FANUC 90-30

Suitable I/O card	IC693 MDL732
	IC693 MDL733
	IC693 MDL740
	IC693 MDL741
	IC693 MDL742
	IC693 ALG220
	IC693 ALG221
	IC693 ALG222
	IC693 ALG223
	IC693 ALG390
	IC693 ALG391
	IC693 ALG392
	IC693 ALG442

### Supported controller: SIEMENS S7-300 / ET 200 M

Suitable I/O card	CPU 312C
	CPU 313C-2DP
	CPU 314C-2PtP

# FLKM-2FLK14/KDS3-MT/PPA/S7 - Passive module



2295062

<https://www.phoenixcontact.com/us/products/2295062>

	6ES7321-1BH50-0AA0
	6ES7321-7BH01-0AB0
	6ES7321-1BH02-0AA0
	6ES7321-1BL00-0AA0
	6ES7322-1BH01-0AA0
	6ES7322-8BF00-0AB0
	6ES7322-1BL00-0AA0
	6ES7323-1BH01-0AA0
	6ES7323-1BL00-0AA0
	6ES7331-7KF02-0AB0
	6ES7331-7KB02-0AB0
	6ES7331-7NF00-0AB0
	6ES7331-7PF01-0AB0
	6ES7331-7PF11-0AB0
	6ES7332-5HD01-0AB0
	6ES7332-5HB01-0AB0
	6ES7332-7ND02-0AB0
	6ES7334-0CE01-0AA0
	6ES7334-0KE00-0AB0
	6ES7335-7HG01-0AB0
	6ES7335-7HG01-0AB0
	6ES7338-4BC01-0AB0
	6ES7350-1AH03-0AE0
	6ES7350-2AH01-0AE0
	6ES7351-1AH01-0AE0
	6ES7352-1AH02-0AE0
	6ES7353-1AH01-0AE0
	6ES7354-1AH01-0AE0
	6ES7355-0VH10-0AE0
	6ES7355-1VH10-0AE0
	6ES7357-4AH01-0AE0
	6ES7321-7BH01-0AB0
	6ES7321-1BH10-0AA0
	6ES7322-1BH10-0AA0
	CPU 313C
	CPU 313C-2PiP
	6ES7336-4GE00-0AB0

## Connection data

Connection 1 (control level)

Connection in acc. with standard	IEC 60603-13
Connection method	IDC/FLK pin strip
Number of connections	2

# FLKM-2FLK14/KDS3-MT/PPA/S7 - Passive module



2295062

<https://www.phoenixcontact.com/us/products/2295062>

Number of positions	14
Insertion/withdrawal cycles	> 50
Pitch	2.54 mm

## Connection 2 (field level)

Connection method	Screw connection with disconnect knife
Stripping length	8 mm
Screw thread	M3
Number of positions	20
Conductor cross-section rigid	0.2 mm <sup>2</sup> ... 4 mm <sup>2</sup>
Conductor cross-section rigid (2 conductors with same cross section)	0.2 mm <sup>2</sup> ... 1 mm <sup>2</sup>
Conductor cross-section flexible	0.2 mm <sup>2</sup> ... 4 mm <sup>2</sup>
	0.25 mm <sup>2</sup> ... 2.5 mm <sup>2</sup> (Ferrule without plastic sleeve)
	0.25 mm <sup>2</sup> ... 1.5 mm <sup>2</sup> (Ferrule with plastic sleeve)
Conductor cross-section flexible (2 conductors with same cross section)	0.2 mm <sup>2</sup> ... 1 mm <sup>2</sup>
	0.25 mm <sup>2</sup> ... 0.75 mm <sup>2</sup> (Ferrule without plastic sleeve)
	0.5 mm <sup>2</sup> ... 1 mm <sup>2</sup> (TWIN ferrule with plastic sleeve)
Conductor cross-section AWG	24 ... 12
Tightening torque	0.5 Nm ... 0.6 Nm
Pitch	5.08 mm

## Connection 3 (field level)

Connection method	Test socket
Number of positions	20

## Signaling

Status display present	no
------------------------	----

## Dimensions

### Item dimensions

Width	112.3 mm
Height	79.35 mm
Depth	51.48 mm

## Material specifications

Color	gray (RAL 7042)
Housing insulation material	PVC

## Environmental and real-life conditions

### Ambient conditions

Degree of protection (Module)	IP00
Degree of protection (Installation location)	≥ IP54
Ambient temperature (operation)	-20 °C ... 50 °C
Ambient temperature (storage/transport)	-20 °C ... 70 °C

# FLKM-2FLK14/KDS3-MT/PPA/S7 - Passive module



2295062

<https://www.phoenixcontact.com/us/products/2295062>

Altitude	≤ 2000 m
----------	----------

## Approvals

UKCA

Certificate	UKCA-compliant
-------------	----------------

## Standards and regulations

Air clearances and creepage distances

Standards/regulations	EN IEC 60664-1
-----------------------	----------------

## Mounting

Mounting type	DIN rail mounting
Mounting position	any

## Notes

Notes on operation	For proper use, the specifications of the installation directive (see Downloads) must be observed. For applications or use with third-party products, the specifications, and the safety and warning instructions of the respective third-party manufacturer must also be met.
--------------------	--

# FLKM-2FLK14/KDS3-MT/PPA/S7 - Passive module

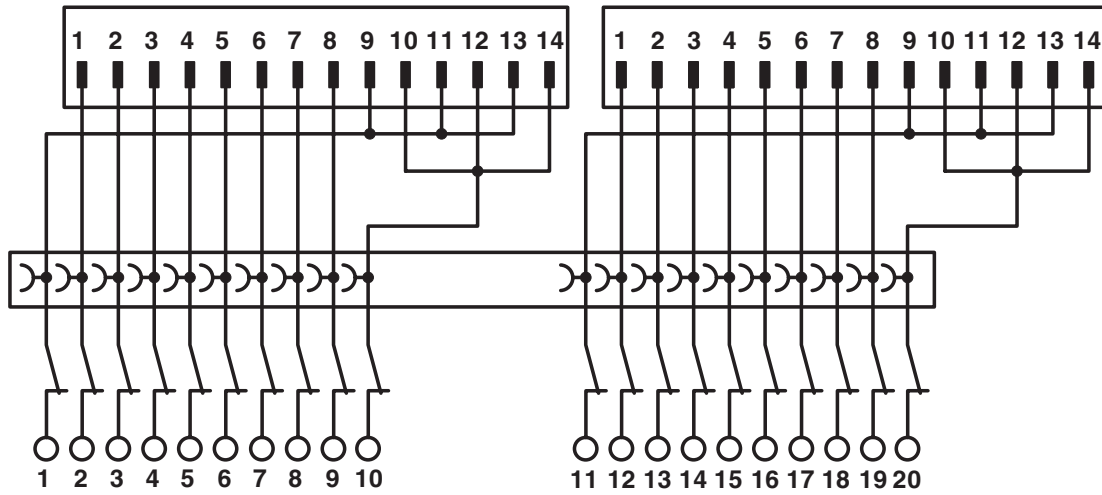


2295062

<https://www.phoenixcontact.com/us/products/2295062>

## Drawings

Circuit diagram



FLKM-2FLK14/KDS3-MT/PPA/S7 connection scheme

# FLKM-2FLK14/KDS3-MT/PPA/S7 - Passive module





2295062

<https://www.phoenixcontact.com/us/products/2295062>

## Approvals

To download certificates, visit the product detail page: <https://www.phoenixcontact.com/us/products/2295062>

 <b>UL Listed</b> Approval ID: E238705				
	Nominal voltage $U_N$	Nominal current $I_N$	Cross section AWG	Cross section $\text{mm}^2$
keine				
	24 V	1 A	-	-

 <b>cUL Listed</b> Approval ID: E238705				
	Nominal voltage $U_N$	Nominal current $I_N$	Cross section AWG	Cross section $\text{mm}^2$
keine				
	24 V	1 A	-	-

# FLKM-2FLK14/KDS3-MT/PPA/S7 - Passive module



2295062

<https://www.phoenixcontact.com/us/products/2295062>

## Classifications

### ECLASS

ECLASS-13.0	27141152
ECLASS-15.0	27141152

### ETIM

ETIM 10.0	EC002780
-----------	----------

### UNSPSC

UNSPSC 21.0	39121400
-------------	----------

2295062

<https://www.phoenixcontact.com/us/products/2295062>

## Environmental product compliance

### EU RoHS

Fulfills EU RoHS substance requirements	Yes
Exemption	6(c)

### China RoHS

Environment friendly use period (EFUP)	EFUP-50
	An article-related China RoHS declaration table can be found in the download area for the respective article under "Manufacturer declaration". For all articles with EFUP-E, no China RoHS declaration table issued and required.

### EU REACH SVHC

REACH candidate substance (CAS No.)	Lead(CAS: 7439-92-1)
SCIP	c91ed6d0-bbd5-4d28-be1b-80c01f817c39

Phoenix Contact 2026 © - all rights reserved

<https://www.phoenixcontact.com>

Phoenix Contact USA  
 586 Fulling Mill Road  
 Middletown, PA 17057, United States  
 (+717) 944-1300  
[info@phoenixcon.com](mailto:info@phoenixcon.com)