

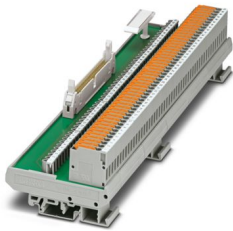
# FLKM 50/KDS3-MT/PPA/AN/PLC - Passive module



2291587

<https://www.phoenixcontact.com/us/products/2291587>

Please be informed that the data shown in this PDF document is generated from our online catalog. Please find the complete data in the user documentation. Our general terms of use for downloads are valid.



VARIOFACE termination board for Siemens SIMATIC® S7-400, with marking (1-50), knife-disconnect terminal block, and test pick-off, module width: 259 mm

## Your advantages

- Numerical labeling (1 - 50)
- Specifically for S7-400 (in conjunction with the FLKM 50-PA-S400 (3-48) front adapter, Item No. 2294908)

## Commercial data

Item number	2291587
Packing unit	1 pc
Minimum order quantity	1 pc
Note	Made to order (non-returnable)
Sales key	C421
Product key	DK2181
GTIN	4017918184636
Weight per piece (including packing)	549 g
Weight per piece (excluding packing)	464.34 g
Customs tariff number	85369010
Country of origin	DE

2291587

<https://www.phoenixcontact.com/us/products/2291587>

## Technical data

### Product properties

Product type	Interface module
Product family	VARIOFACE
Number of positions	50
No. of channels	2
	4
	6
	8
	16

### Insulation characteristics: Air clearances and creepage distances

Insulation	Functional insulation
Overvoltage category	II
Pollution degree	2

### Electrical properties

Operating voltage (DC)	≤ 60 V DC
Current (per branch)	≤ 1 A

### Air clearances and creepage distances

Rated insulation voltage	63 V
Rated surge voltage	0.6 kV (1.2/50 μs)

### Supported controller: SIEMENS S7-400

Suitable I/O card	6ES7431-0HH0-0AB0
	6ES7431-1KF00-0AB0
	6ES7431-1KF10-0AB0
	6ES7431-1KF20-0AB0
	6ES7431-7KF00-0AB0
	6ES7431-7KF10-0AB0
	6ES7431-7QH00-0AB0
	6ES7432-1HF00-0AB0

### Connection data

#### Connection 1 (control level)

Connection in acc. with standard	IEC 60603-13
Connection method	IDC/FLK pin strip
Number of connections	1
Number of positions	50
Insertion/withdrawal cycles	> 50
Pitch	2.54 mm

#### Connection 2 (field level)

# FLKM 50/KDS3-MT/PPA/AN/PLC - Passive module



2291587

<https://www.phoenixcontact.com/us/products/2291587>

Connection method	Screw connection with disconnect knife
Stripping length	8 mm
Screw thread	M3
Number of positions	50
Conductor cross-section rigid	0.2 mm <sup>2</sup> ... 4 mm <sup>2</sup>
Conductor cross-section rigid (2 conductors with same cross section)	0.2 mm <sup>2</sup> ... 1 mm <sup>2</sup>
Conductor cross-section flexible	0.2 mm <sup>2</sup> ... 4 mm <sup>2</sup>
	0.25 mm <sup>2</sup> ... 2.5 mm <sup>2</sup> (Ferrule without plastic sleeve)
	0.25 mm <sup>2</sup> ... 1.5 mm <sup>2</sup> (Ferrule with plastic sleeve)
Conductor cross-section flexible (2 conductors with same cross section)	0.2 mm <sup>2</sup> ... 1 mm <sup>2</sup>
	0.25 mm <sup>2</sup> ... 0.75 mm <sup>2</sup> (Ferrule without plastic sleeve)
	0.5 mm <sup>2</sup> ... 1 mm <sup>2</sup> (TWIN ferrule with plastic sleeve)
Conductor cross-section AWG	24 ... 12
Tightening torque	0.5 Nm ... 0.6 Nm
Pitch	5.08 mm

## Connection 3 (field level)

Connection method	Test socket
Number of positions	50

## Signaling

Status display present	no
------------------------	----

## Dimensions

### Item dimensions

Width	258.4 mm
Height	77 mm
Depth	51.48 mm

## Material specifications

Color	gray (RAL 7042)
Housing insulation material	PVC

## Environmental and real-life conditions

### Ambient conditions

Degree of protection (Module)	IP00
Degree of protection (Installation location)	≥ IP54
Ambient temperature (operation)	-20 °C ... 50 °C
Ambient temperature (storage/transport)	-20 °C ... 70 °C
Altitude	≤ 2000 m

## Approvals

UKCA

2291587

<https://www.phoenixcontact.com/us/products/2291587>

Certificate	UKCA-compliant
-------------	----------------

## Standards and regulations

Air clearances and creepage distances

Standards/regulations	EN IEC 60664-1
-----------------------	----------------

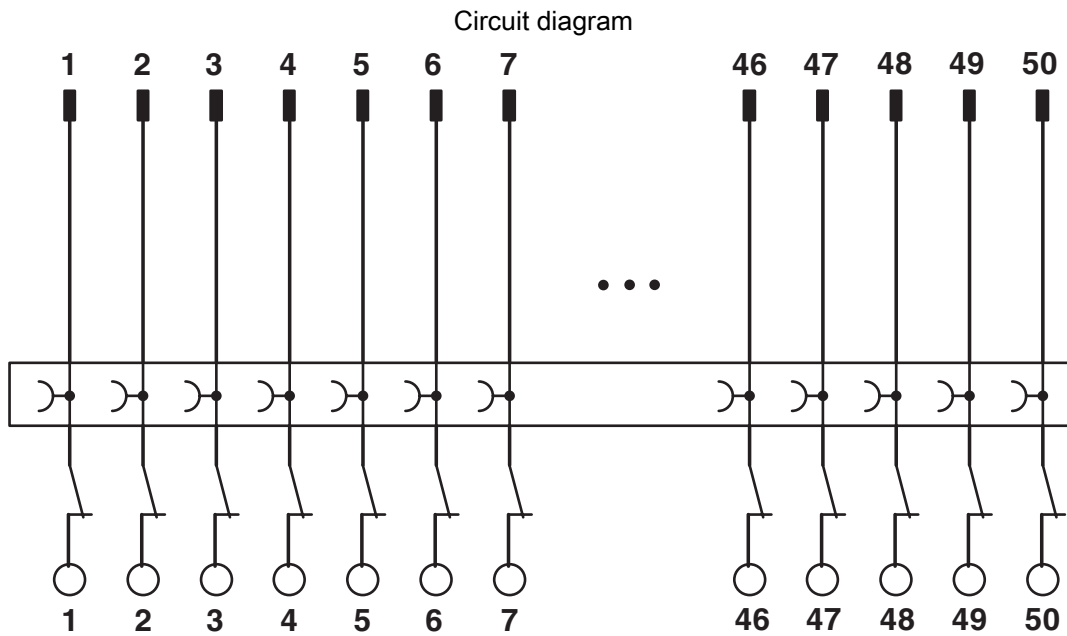
## Mounting

Mounting type	DIN rail mounting
Mounting position	any

## Notes

Notes on operation	For proper use, the specifications of the installation directive (see Downloads) must be observed. For applications or use with third-party products, the specifications, and the safety and warning instructions of the respective third-party manufacturer must also be met.
--------------------	--

Drawings



FLKM 50/KDS3-MT/PPA/AN/PLC connection scheme

# FLKM 50/KDS3-MT/PPA/AN/PLC - Passive module





2291587

<https://www.phoenixcontact.com/us/products/2291587>

## Approvals

To download certificates, visit the product detail page: <https://www.phoenixcontact.com/us/products/2291587>

 <b>UL Listed</b> Approval ID: E238705				
	Nominal voltage $U_N$	Nominal current $I_N$	Cross section AWG	Cross section $\text{mm}^2$
keine				
	24 V	1 A	-	-

 <b>cUL Listed</b> Approval ID: E238705				
	Nominal voltage $U_N$	Nominal current $I_N$	Cross section AWG	Cross section $\text{mm}^2$
keine				
	24 V	1 A	-	-

2291587

<https://www.phoenixcontact.com/us/products/2291587>

## Classifications

### ECLASS

ECLASS-13.0	27141152
ECLASS-15.0	27141152

### ETIM

ETIM 10.0	EC002780
-----------	----------

### UNSPSC

UNSPSC 21.0	39121400
-------------	----------

2291587

<https://www.phoenixcontact.com/us/products/2291587>

## Environmental product compliance

### EU RoHS

Fulfills EU RoHS substance requirements	Yes
Exemption	6(c)

### China RoHS

Environment friendly use period (EFUP)	EFUP-50
	An article-related China RoHS declaration table can be found in the download area for the respective article under "Manufacturer declaration". For all articles with EFUP-E, no China RoHS declaration table issued and required.

### EU REACH SVHC

REACH candidate substance (CAS No.)	Lead(CAS: 7439-92-1)
SCIP	a1b5009d-48b6-4fae-8bd5-b1a7d0055b65

Phoenix Contact 2026 © - all rights reserved

<https://www.phoenixcontact.com>

Phoenix Contact USA  
 586 Fulling Mill Road  
 Middletown, PA 17057, United States  
 (+717) 944-1300  
[info@phoenixcon.com](mailto:info@phoenixcon.com)