

DCS 7 M C O BP C 7035 - Electronics housing



2203184

<https://www.phoenixcontact.com/us/products/2203184>

Please be informed that the data shown in this PDF document is generated from our online catalog. Please find the complete data in the user documentation. Our general terms of use for downloads are valid.



Display housing, 7", light gray, central window, front level, for battery pack consisting of two half shells, with screws and battery pack contacts

Your advantages

- Display housing for portable and stationary operating panels
- Integration of TFT display and membrane keypads
- Up to IP54 degree of protection
- Shock-resistant ABS plastic
- Flammability rating V0 in accordance with UL 94

Commercial data

Item number	2203184
Packing unit	2 pc
Minimum order quantity	2 pc
Sales key	AC02
Product key	ACFBAA
GTIN	4055626378381
Weight per piece (including packing)	373.9 g
Weight per piece (excluding packing)	290 g
Customs tariff number	39269097
Country of origin	DE

2203184

<https://www.phoenixcontact.com/us/products/2203184>

Technical data

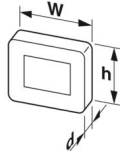
Product properties

Product type	Complete housing
Housing type	Display carrier
Housing type	Display carriers
Housing series	DCS
Product family	DCS 7..
Ventilation openings present	no
Battery compartment	for APP battery housing

Display

Diagonal	7 in. / 18 cm (Window for display)
----------	------------------------------------

Dimensions

Dimensional drawing	
Width	226 mm
Height	158 mm
Depth	40 mm
Dimensions	154.4 mm x 93.4 mm (Window for display, center position)

PCB design

PCB thickness	1.4 mm ... 1.8 mm
---------------	-------------------

Material specifications

Color (Housing)	light gray (RAL 7035)
Material Housing	ABS
Flammability rating according to UL 94	V0
CTI according to IEC 60112	$400 \leq CTI < 600$

Environmental and real-life conditions

Glow-wire test

Specification	IEC 60695-2-11:2014-02
Temperature	850 °C
Time of exposure	30 s

Thermal stability / ball thrust test

Specification	IEC 60695-10-2:2014-02
Temperature	80 °C
Test duration	1 h

DCS 7 M C O BP C 7035 - Electronics housing



2203184

<https://www.phoenixcontact.com/us/products/2203184>

Force	20
-------	----

Degree of protection (IP code)

Specification	IEC 60529:1989-11 + AMD 1:1999-11 + AMD 2:2013-08
---------------	---------------------------------------------------

Ambient conditions

Max. IP code to attain	IP54
------------------------	------

PCB data

Number of PCB holders	2
Thickness of the PCB	1.4 mm ... 1.8 mm

Mounting

Mounting type	Panel mounting (with accessories as an option)
Wall fastening	yes
Mounting position	any

2203184

<https://www.phoenixcontact.com/us/products/2203184>

Drawings



Schematic representation – for additional information, see product range drawing in the Download Center

DCS 7 M C O BP C 7035 - Electronics housing



2203184

<https://www.phoenixcontact.com/us/products/2203184>

Classifications

ECLASS

ECLASS-13.0	27190103
ECLASS-15.0	27190103

ETIM

ETIM 9.0	EC001031
----------	----------

UNSPSC

UNSPSC 21.0	31261500
-------------	----------

DCS 7 M C O BP C 7035 - Electronics housing



2203184

<https://www.phoenixcontact.com/us/products/2203184>

Environmental product compliance

EU RoHS

Fulfills EU RoHS substance requirements	Yes, No exemptions
-----------------------------------------	--------------------

China RoHS

Environment friendly use period (EFUP)	EFUP-E
	No hazardous substances above the limits

EU REACH SVHC

REACH candidate substance (CAS No.)	No substance above 0.1 wt%
-------------------------------------	----------------------------

Phoenix Contact 2026 © - all rights reserved
<https://www.phoenixcontact.com>

Phoenix Contact USA
586 Fulling Mill Road
Middletown, PA 17057, United States
(+717) 944-1300
info@phoenixcon.com