

HCS-C MINI-P 1 2X2AA C C 7035 - Electronics housing



2203158

<https://www.phoenixcontact.com/us/products/2203158>

Please be informed that the data shown in this PDF document is generated from our online catalog. Please find the complete data in the user documentation. Our general terms of use for downloads are valid.



Handheld housing, C-Mini-Plus, light gray, consisting of two half shells, screws. Front 1.1 mm recessed, closed, battery compartment cover and battery contacts for 4 AA batteries

Your advantages

- Suitable for handheld devices
- Easy integration of LCD displays and membrane keypads
- Ergonomic straight or staggered housing design
- Fast mounting, thanks to the modular design

Commercial data

| | |
|--------------------------------------|---------------|
| Item number | 2203158 |
| Packing unit | 1 pc |
| Minimum order quantity | 1 pc |
| Sales key | AC02 |
| Product key | ACFACA |
| GTIN | 4055626377704 |
| Weight per piece (including packing) | 179.6 g |
| Weight per piece (excluding packing) | 179.6 g |
| Customs tariff number | 84879090 |
| Country of origin | DE |

HCS-C MINI-P 1 2X2AA C C 7035 - Electronics housing



2203158

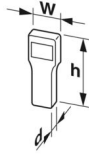
<https://www.phoenixcontact.com/us/products/2203158>

Technical data

Product properties

| | |
|------------------------------|------------------|
| Product type | Complete housing |
| Housing type | Handheld housing |
| Housing type | Handheld housing |
| Housing series | HCS |
| Ventilation openings present | no |
| Battery compartment | 2 x 2 AA |

Dimensions

| | |
|---------------------|---|
| Dimensional drawing |  |
| Width | 80 mm |
| Height | 135 mm |
| Depth | 29 mm |
| Dimensions | 70.4 mm x 125.4 mm x 1.1 mm (Recessed area on front) |

PCB design

| | |
|---------------|-------------------|
| PCB thickness | 1.4 mm ... 1.8 mm |
|---------------|-------------------|

Material specifications

| | |
|--|-----------------------|
| Color (Housing) | light gray (RAL 7035) |
| Material Housing | ABS |
| Flammability rating according to UL 94 | V0 |
| CTI according to IEC 60112 | $400 \leq CTI < 600$ |

Environmental and real-life conditions

Glow-wire test

| | |
|------------------|------------------------|
| Specification | IEC 60695-2-11:2014-02 |
| Temperature | 850 °C |
| Time of exposure | 30 s |

Thermal stability / ball thrust test

| | |
|---------------|------------------------|
| Specification | IEC 60695-10-2:2014-02 |
| Temperature | 80 °C |
| Test duration | 1 h |
| Force | 20 |

Ambient conditions

| | |
|------------------------|------|
| Max. IP code to attain | IP40 |
|------------------------|------|

HCS-C MINI-P 1 2X2AA C C 7035 - Electronics housing



2203158

<https://www.phoenixcontact.com/us/products/2203158>

| | |
|---|---|
| Ambient temperature (operation) | -40 °C ... 80 °C (depending on power dissipation) |
| Ambient temperature (storage/transport) | -40 °C ... 55 °C |
| Ambient temperature (assembly) | -5 °C ... 80 °C |
| Relative humidity (storage/transport) | 95 % |

PCB data

| | |
|-----------------------|-------------------|
| Number of PCB holders | 2 |
| Thickness of the PCB | 1.4 mm ... 1.8 mm |

Mounting

| | |
|---------------------------|---|
| Tightening torque / speed | Screw connection between housing halves: 0.25 - 0.3 Nm / 500 - 1000 rpm |
| Tightening torque | 0.25 Nm ... 0.3 Nm |

HCS-C MINI-P 1 2X2AA C C 7035 - Electronics housing

2203158

<https://www.phoenixcontact.com/us/products/2203158>

Drawings

Dimensional drawing



Schematic representation – for additional information, see product range drawing in the Download Center

HCS-C MINI-P 1 2X2AA C C 7035 - Electronics housing



2203158

<https://www.phoenixcontact.com/us/products/2203158>

Classifications

ECLASS

| | |
|-------------|----------|
| ECLASS-13.0 | 27190102 |
| ECLASS-15.0 | 27190102 |

ETIM

| | |
|----------|----------|
| ETIM 9.0 | EC001031 |
|----------|----------|

UNSPSC

| | |
|-------------|----------|
| UNSPSC 21.0 | 31261500 |
|-------------|----------|

HCS-C MINI-P 1 2X2AA C C 7035 - Electronics housing



2203158

<https://www.phoenixcontact.com/us/products/2203158>

Environmental product compliance

EU RoHS

| | |
|---|--------------------|
| Fulfills EU RoHS substance requirements | Yes, No exemptions |
|---|--------------------|

China RoHS

| | |
|--|--|
| Environment friendly use period (EFUP) | EFUP-E |
| | No hazardous substances above the limits |

EU REACH SVHC

| | |
|-------------------------------------|----------------------------|
| REACH candidate substance (CAS No.) | No substance above 0.1 wt% |
|-------------------------------------|----------------------------|

Phoenix Contact 2026 © - all rights reserved
<https://www.phoenixcontact.com>

Phoenix Contact USA
586 Fulling Mill Road
Middletown, PA 17057, United States
(+717) 944-1300
info@phoenixcon.com