

ME-IO 37,6 C 10U 7035 - Housing cover



2202665

<https://www.phoenixcontact.com/us/products/2202665>

Please be informed that the data shown in this PDF document is generated from our online catalog. Please find the complete data in the user documentation. Our general terms of use for downloads are valid.



DIN rail housing, 10U, Housing cover, width: 37.89 mm, height: 109.8 mm, depth: 26 mm, color: light gray (similar RAL 7035)

Your advantages

- Tool-free mounting
- Plastic in accordance with UL94 V0: for more rigorous flammability requirements
- Can be machined for application-specific connection technology
- Cover for fully closed device fronts

Commercial data

Item number	2202665
Packing unit	20 pc
Minimum order quantity	20 pc
Sales key	AC15
Product key	ACHEBB
GTIN	4055626218779
Weight per piece (including packing)	16.645 g
Weight per piece (excluding packing)	16.035 g
Customs tariff number	85389099
Country of origin	CN

ME-IO 37,6 C 10U 7035 - Housing cover



2202665

<https://www.phoenixcontact.com/us/products/2202665>

Technical data

Notes

Assembly note	Please observe the application note in the download area.
---------------	---

Product properties

Product type	Upper housing part
Housing type	DIN rail housing
Housing type	Multifunctional housings
Housing series	ME-IO
Product family	ME-IO 37,6
Ventilation openings present	no

Dimensions

Width	37.89 mm
Height	109.8 mm
Depth	26 mm

Material specifications

Color (Housing)	light gray (RAL 7035)
Material Upper housing part	PA
Flammability rating according to UL 94	V0
CTI according to IEC 60112	600

Environmental and real-life conditions

Vibration test

Specification	IEC 60068-2-6:2007-12
Frequency	10 - 150 - 10 Hz
Sweep speed	1 octave/min
Amplitude	0.15 mm (10 Hz ... 58.1 Hz)
Acceleration	2g (58.1 Hz ... 150 Hz)
Test duration per axis	2.5 h
Test directions	X-, Y- and Z-axis

Glow-wire test

Specification	IEC 60695-2-11:2014-02
Temperature	850 °C
Time of exposure	30 s

Thermal stability / ball thrust test

Specification	IEC 60695-10-2:2014-02
Temperature	125 °C
Test duration	1 h
Force	20 N

ME-IO 37,6 C 10U 7035 - Housing cover



2202665

<https://www.phoenixcontact.com/us/products/2202665>

Mechanical strength / tumbling barrel

Specification	IEC 60068-2-31:2008-05
Height of fall	50 cm
Frequency	50

Shocks

Specification	IEC 60068-2-27:2008-02
Pulse shape	Semi-sinusoidal
Acceleration	15g
Shock duration	11 ms
Number of shocks per direction	3
Test directions	X-, Y- and Z-axis (pos. and neg.)

Test for substances that would hinder coating with paint or varnish

Specification	VDMA 24364:2018-05
---------------	--------------------

Degree of protection (IP code)

Specification	IEC 60529:1989-11 + AMD 1:1999-11 + AMD 2:2013-08
---------------	---

Ambient conditions

Max. IP code to attain	IP20
Ambient temperature (operation)	-40 °C ... 105 °C (depending on power dissipation)
Ambient temperature (storage/transport)	-40 °C ... 55 °C
Ambient temperature (assembly)	-5 °C ... 100 °C
Relative humidity (storage/transport)	80 %

Mounting

Mounting type	Latching with lower housing part
---------------	----------------------------------

Packaging specifications

Type of packaging	packed in cardboard
Outer packaging type	Carton

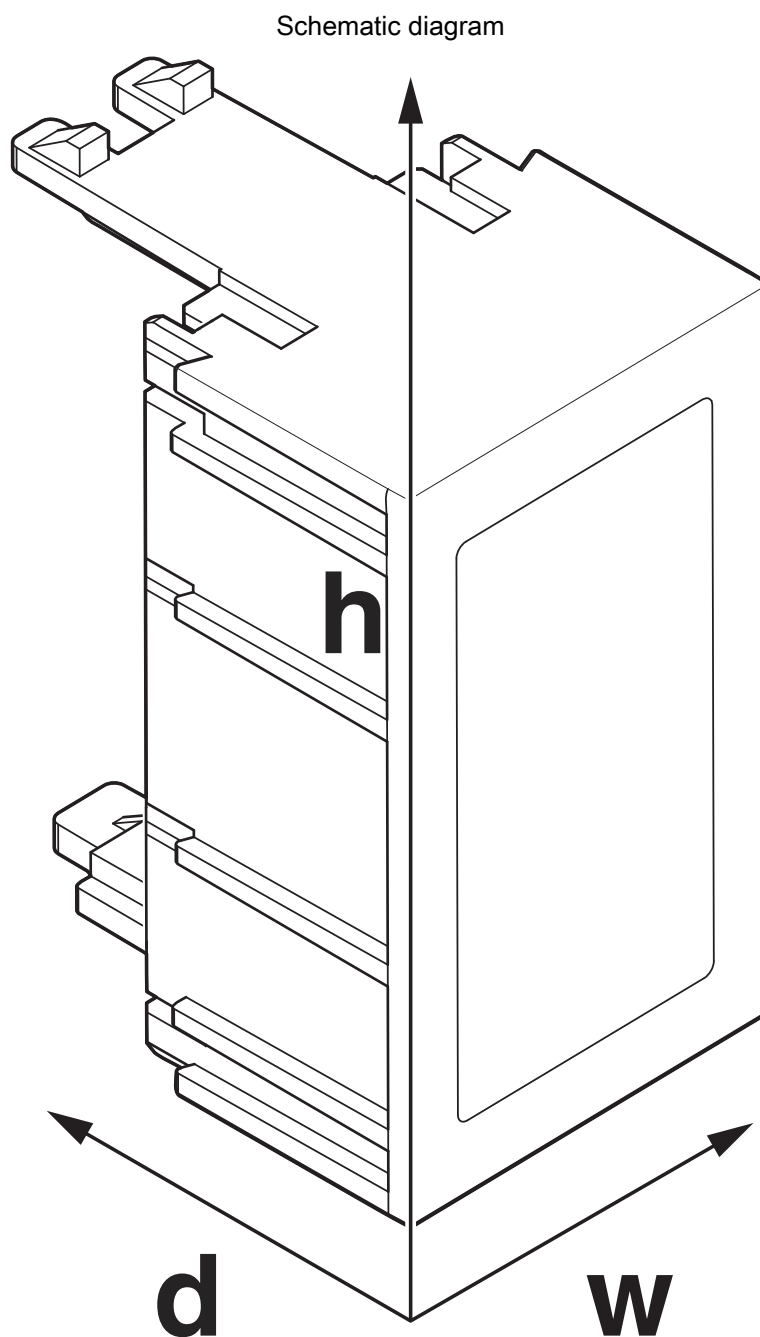
ME-IO 37,6 C 10U 7035 - Housing cover

2202665

<https://www.phoenixcontact.com/us/products/2202665>



Drawings



Schematic figure for illustrating the item dimensions. The figure is not of the desired product. For further details, refer to the product drawings in the "Downloads" tab.

ME-IO 37,6 C 10U 7035 - Housing cover



2202665

<https://www.phoenixcontact.com/us/products/2202665>

Approvals

To download certificates, visit the product detail page: <https://www.phoenixcontact.com/us/products/2202665>



UL Recognized

Approval ID: E240868

ME-IO 37,6 C 10U 7035 - Housing cover



2202665

<https://www.phoenixcontact.com/us/products/2202665>

Classifications

ECLASS

ECLASS-13.0	27190603
ECLASS-15.0	27190603

ETIM

ETIM 10.0	EC002779
-----------	----------

UNSPSC

UNSPSC 21.0	31261500
-------------	----------

ME-IO 37,6 C 10U 7035 - Housing cover



2202665

<https://www.phoenixcontact.com/us/products/2202665>

Environmental product compliance

EU RoHS

Fulfills EU RoHS substance requirements	Yes, No exemptions
---	--------------------

China RoHS

Environment friendly use period (EFUP)	EFUP-E
	No hazardous substances above the limits

EU REACH SVHC

REACH candidate substance (CAS No.)	No substance above 0.1 wt%
-------------------------------------	----------------------------

EF3.1 Climate Change

CO2e kg	0.164 kg CO2e
---------	---------------

Phoenix Contact 2026 © - all rights reserved
<https://www.phoenixcontact.com>

Phoenix Contact USA
586 Fulling Mill Road
Middletown, PA 17057, United States
(+717) 944-1300
info@phoenixcon.com