

# ME-IO 18,8 B/FE 5/9U TBUS 7035 - Mounting base housing

2201962

<https://www.phoenixcontact.com/us/products/2201962>

Please be informed that the data shown in this PDF document is generated from our online catalog. Please find the complete data in the user documentation. Our general terms of use for downloads are valid.



DIN rail housing, Lower housing part, with metal foot catch, with functional ground contact, with 5U Lock and Release system, with vents, width: 18.9 mm, height: 109.6 mm, depth: 64.3 mm, color: light gray (similar RAL 7035), cross connection: DIN rail bus connector (optional), number of positions cross connector: 5

## Your advantages

- Easy, tool-free mounting
- Optional DIN rail connector for easy module-to-module communication
- Lock and Release principle for automatic latching and intuitive release of the front connection plug
- Plastic in accordance with UL94 V0: for more rigorous flammability requirements
- Integrated FE contact for simple electromagnetically compatible installation
- L-design: ideal for flush integration of standard interfaces such as RJ45

## Commercial data

Item number	2201962
Packing unit	1 pc
Note	Made to order (non-returnable)
Sales key	AC15
Product key	ACHEBA
GTIN	4046356946452
Weight per piece (including packing)	35.36 g
Weight per piece (excluding packing)	35.36 g
Customs tariff number	85389099
Country of origin	DE

# ME-IO 18,8 B/FE 5/9U TBUS 7035 - Mounting base housing



2201962

<https://www.phoenixcontact.com/us/products/2201962>

## Technical data

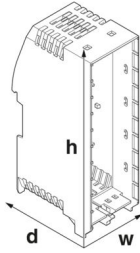
### Notes

Assembly note	Please observe the application note in the download area.
Recommendation	Material of contact pads for bus connector, galvanic gold (hard gold)

### Product properties

Housing type	DIN rail housing
Max. number of positions	20 (pitch: 5 mm) 30 (pitch: 3.45 mm)
Ventilation openings present	yes

### Dimensions

Dimensional drawing	
Width	18.9 mm
Height	109.6 mm
Depth	64.3 mm
Depth from top edge of DIN rail	57.7 mm

### Material specifications

Color	light gray (RAL 7035)
Flammability rating according to UL 94	V0
Housing material	PA

### Environmental and real-life conditions

#### Ambient conditions

Max. IP code to attain	IP20
Ambient temperature (operation)	-40 °C ... 105 °C (depending on power dissipation)
Ambient temperature (storage/transport)	-40 °C ... 55 °C
Ambient temperature (assembly)	-5 °C ... 100 °C
Relative humidity (storage/transport)	80 %

### PCB data

Number of PCB holders	1
Type of PCB mount	Latching

# ME-IO 18,8 B/FE 5/9U TBUS 7035 - Mounting base housing



2201962

<https://www.phoenixcontact.com/us/products/2201962>

## Mounting

Mounting type	DIN rail mounting
---------------	-------------------

## Packaging specifications

Type of packaging	packed in cardboard
Outer packaging type	Carton

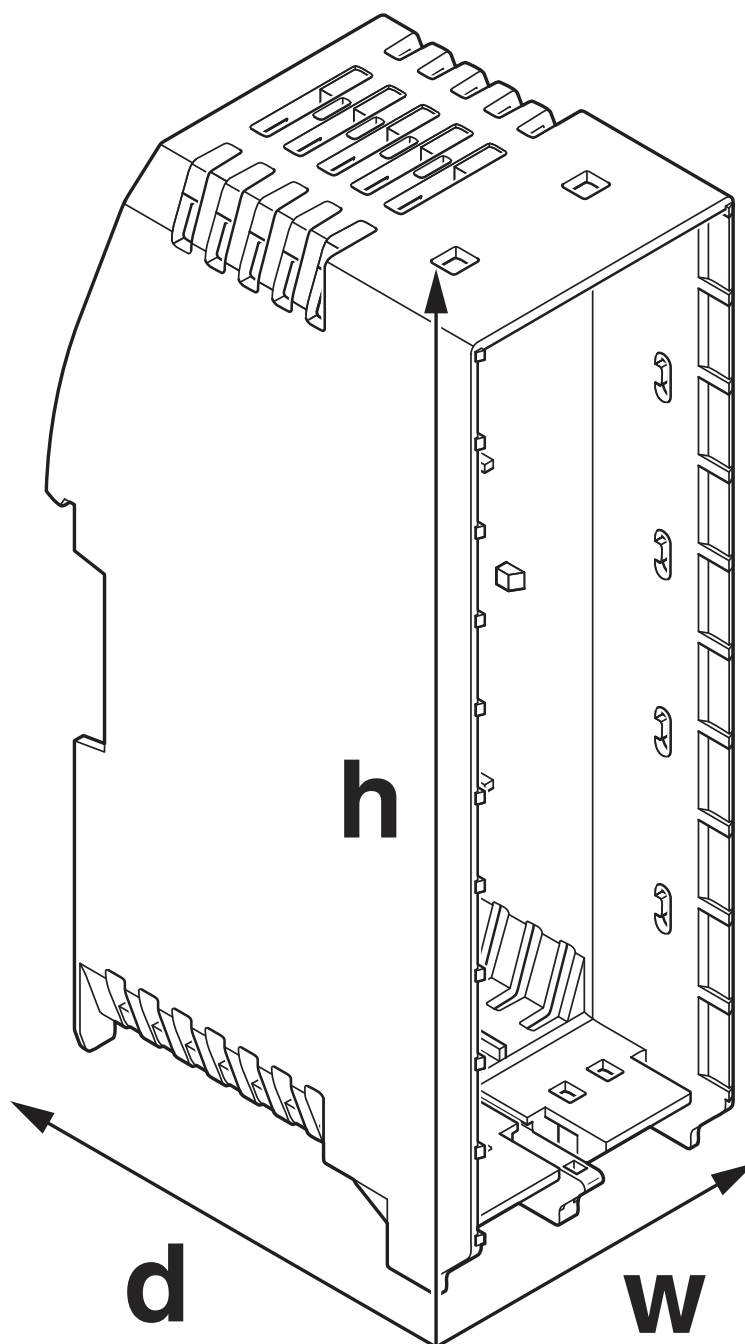
# ME-IO 18,8 B/FE 5/9U TBUS 7035 - Mounting base housing

2201962

<https://www.phoenixcontact.com/us/products/2201962>

## Drawings

Dimensional drawing



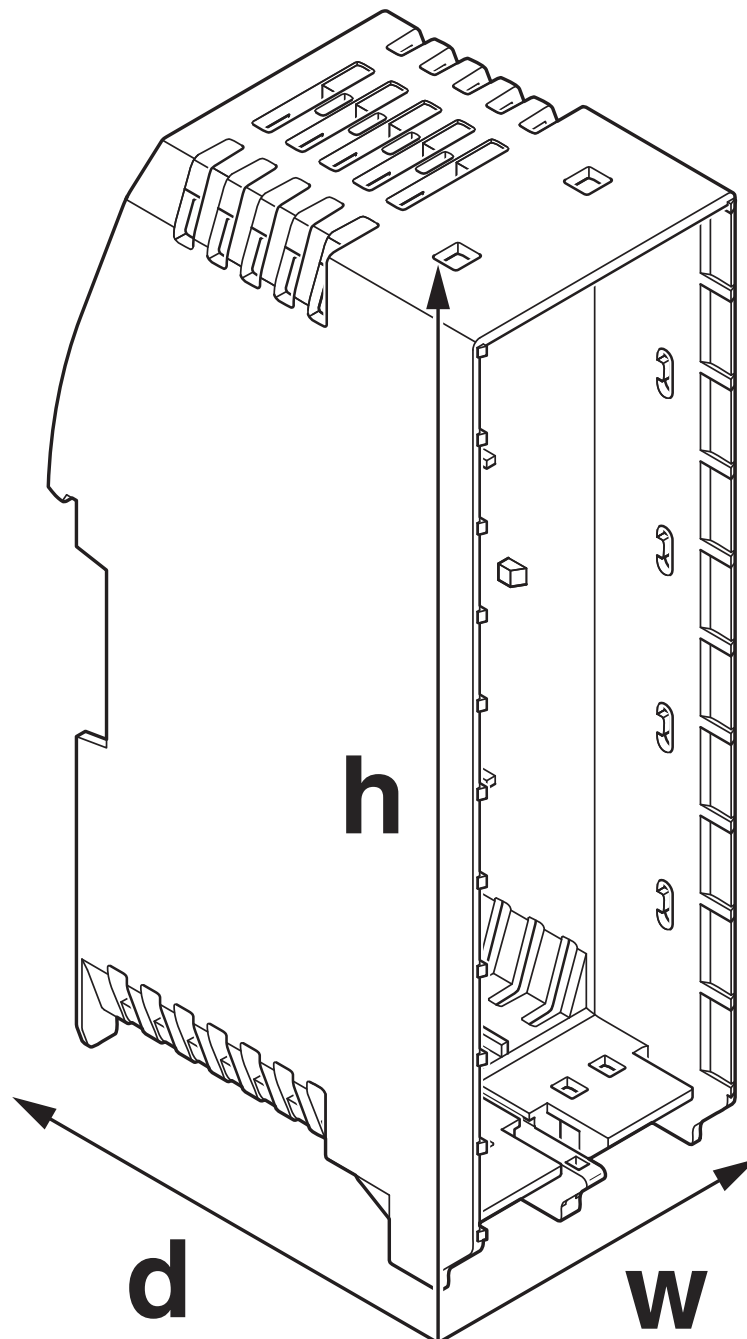
Schematic figure for illustrating the item dimensions. The figure is not of the desired product. For further details, refer to the product drawings in the "Downloads" tab.

# ME-IO 18,8 B/FE 5/9U TBUS 7035 - Mounting base housing

2201962

<https://www.phoenixcontact.com/us/products/2201962>

Dimensional drawing



# ME-IO 18,8 B/FE 5/9U TBUS 7035 - Mounting base housing



2201962

<https://www.phoenixcontact.com/us/products/2201962>

## Classifications

### UNSPSC

UNSPSC 21.0	31261501
-------------	----------

# ME-IO 18,8 B/FE 5/9U TBUS 7035 - Mounting base housing



2201962

<https://www.phoenixcontact.com/us/products/2201962>

## Environmental product compliance

### EU RoHS

Fulfills EU RoHS substance requirements	Yes, No exemptions
---	--------------------

### China RoHS

Environment friendly use period (EFUP)	EFUP-E
	No hazardous substances above the limits

### EU REACH SVHC

REACH candidate substance (CAS No.)	No substance above 0.1 wt%
-------------------------------------	----------------------------

Phoenix Contact 2026 © - all rights reserved  
<https://www.phoenixcontact.com>

Phoenix Contact USA  
586 Fulling Mill Road  
Middletown, PA 17057, United States  
(+717) 944-1300  
[info@phoenixcon.com](mailto:info@phoenixcon.com)