

ZFKK 1,5-MSTBV-5,08 - Feed-through terminal block



1873016

<https://www.phoenixcontact.com/us/products/1873016>

Please be informed that the data shown in this PDF document is generated from our online catalog. Please find the complete data in the user documentation. Our general terms of use for downloads are valid.



Feed-through terminal block, nom. voltage: 250 V, nominal current: 12 A, 1st and 2nd level connection right, connection method: Spring-cage connection, cross section: 0.2 mm² - 2.5 mm², 1st and 2nd level connection left, connection method: Plug-in connection, mounting: NS 35/7,5, NS 35/15, color: gray

Commercial data

Item number	1873016
Packing unit	1 pc
Note	Made to order (non-returnable)
Sales key	BE02
Product key	BE2141
GTIN	4017918142407
Weight per piece (including packing)	9.554 g
Weight per piece (excluding packing)	9.46 g
Customs tariff number	85369010
Country of origin	PL

ZFKK 1,5-MSTBV-5,08 - Feed-through terminal block



1873016

<https://www.phoenixcontact.com/us/products/1873016>

Technical data

Product properties

Number of positions	1
Pitch	5.08 mm
Number of connections	4
Number of rows	2

Insulation characteristics

Overvoltage category	III
Degree of pollution	3

Electrical properties

Rated surge voltage	4 kV
---------------------	------

Connection data

Number of connections per level	2
---------------------------------	---

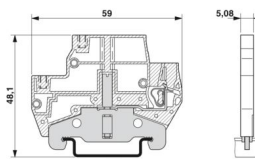
1st and 2nd level connection right

Connection method	Spring-cage connection
Stripping length	10 mm
Connection in acc. with standard	IEC / EN
Conductor cross-section rigid	0.2 mm ² ... 2.5 mm ²
Cross section AWG	24 ... 14 (converted acc. to IEC)
Conductor cross-section flexible	0.2 mm ² ... 1.5 mm ²
Conductor cross-section, flexible [AWG]	24 ... 16 (converted acc. to IEC)
Conductor cross-section flexible (ferrule without plastic sleeve)	0.25 mm ² ... 1.5 mm ²
Flexible conductor cross-section (ferrule with plastic sleeve)	0.25 mm ² ... 1.5 mm ²
Nominal current	12 A
Nominal voltage	250 V

1st and 2nd level connection left

Connection method	Plug-in connection
Connection in acc. with standard	IEC / EN
Nominal current	12 A
Nominal voltage	250 V

Dimensions

Dimensional drawing	
Width	5.08 mm

ZFKK 1,5-MSTBV-5,08 - Feed-through terminal block



1873016

<https://www.phoenixcontact.com/us/products/1873016>

Pitch	5.08 mm
-------	---------

Material specifications

Color	gray
Flammability rating according to UL 94	V0
Insulating material group	I
Insulating material	PA
Contact surface	Tin Sn
Static insulating material application in cold	-60 °C
Temperature index of insulation material (DIN EN 60216-1 (VDE 0304-21))	130 °C
Relative insulation material temperature index (Elec., UL 746 B)	130 °C
Fire protection for rail vehicles (DIN EN 45545-2) R22	HL 1 - HL 3
Fire protection for rail vehicles (DIN EN 45545-2) R23	HL 1 - HL 3
Fire protection for rail vehicles (DIN EN 45545-2) R24	HL 1 - HL 3
Fire protection for rail vehicles (DIN EN 45545-2) R26	HL 1 - HL 3
Calorimetric heat release NFPA 130 (ASTM E 1354)	28 MJ/kg
Surface flammability NFPA 130 (ASTM E 162)	passed
Specific optical density of smoke NFPA 130 (ASTM E 662)	passed
Smoke gas toxicity NFPA 130 (SMP 800C)	passed

Mechanical properties

Mechanical data

Open side panel	No
-----------------	----

Standards and regulations

Connection in acc. with standard	IEC / EN
	IEC / EN

Mounting

Mounting type	NS 35/7,5
	NS 35/15

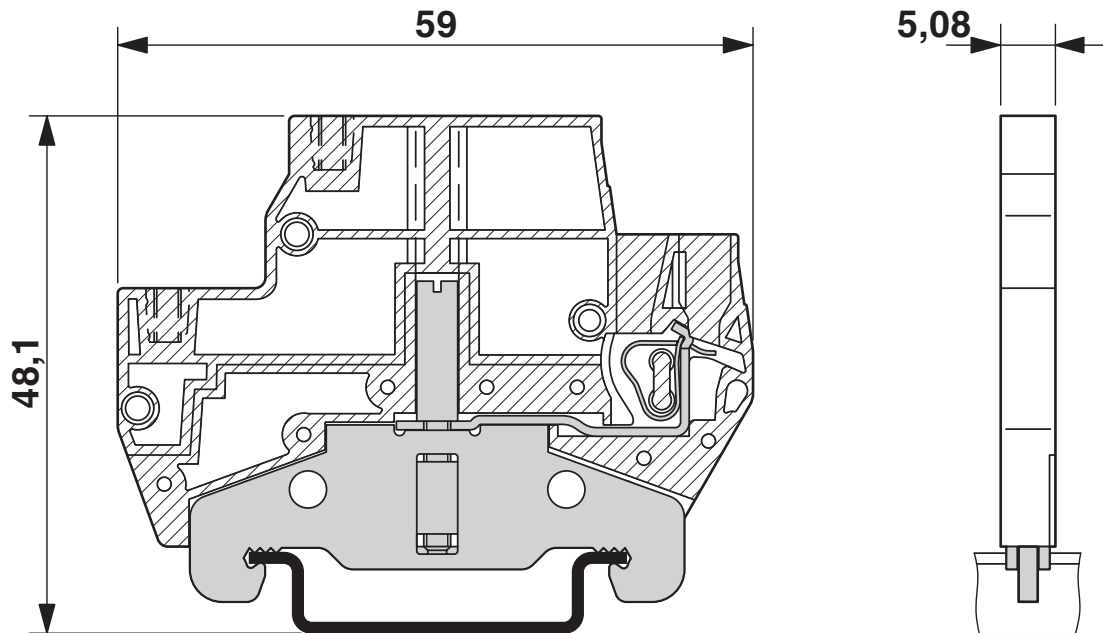
ZFKK 1,5-MSTBV-5,08 - Feed-through terminal block

1873016

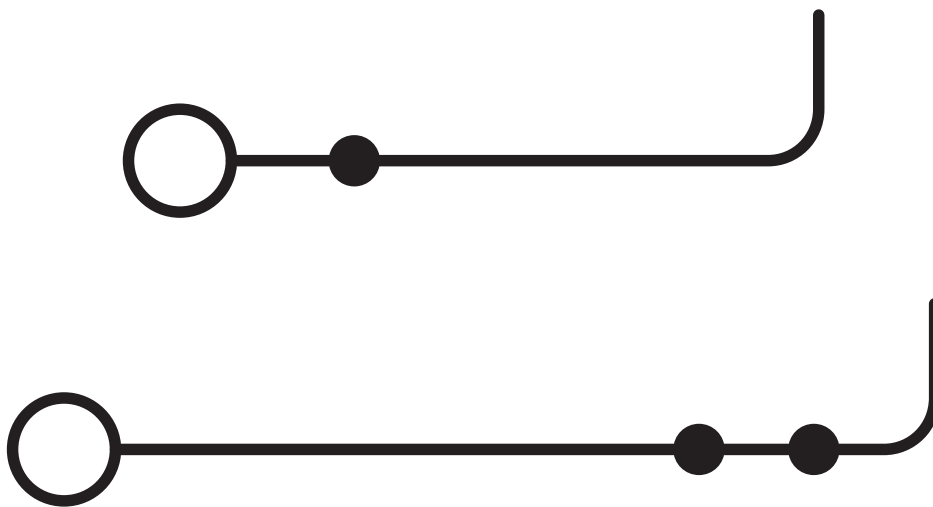
<https://www.phoenixcontact.com/us/products/1873016>

Drawings

Dimensional drawing



Circuit diagram



ZFKK 1,5-MSTBV-5,08 - Feed-through terminal block



1873016

<https://www.phoenixcontact.com/us/products/1873016>

Environmental product compliance

EU RoHS

Fulfills EU RoHS substance requirements	Yes, No exemptions
---	--------------------

China RoHS

Environment friendly use period (EFUP)	EFUP-E
	No hazardous substances above the limits

EU REACH SVHC

REACH candidate substance (CAS No.)	No substance above 0.1 wt%
-------------------------------------	----------------------------

Phoenix Contact 2026 © - all rights reserved
<https://www.phoenixcontact.com>

Phoenix Contact USA
586 Fulling Mill Road
Middletown, PA 17057, United States
(+717) 944-1300
info@phoenixcon.com