

# VC-D3-ST50-PE - Contact insert



1855034

<https://www.phoenixcontact.com/us/products/1855034>

Please be informed that the data shown in this PDF document is generated from our online catalog. Please find the complete data in the user documentation. Our general terms of use for downloads are valid.



Contact insert, Range of articles: VARIOCON, design: VC3, number of positions: 50, min. conductor cross-section: 0.14 mm<sup>2</sup>, max. conductor cross-section: 1.5 mm<sup>2</sup>, rated voltage: 250, rated current: 10 A, Connection method: Crimp connection, Connectors may only be connected/disconnected when under no load.

## Your advantages

- Pin and socket contacts can be used on both the plug and device sides
- Contact carriers have two further capacitive PE contacts
- The connection data of 250 V/10 A corresponds to that of the HEAVYCON DD series
- Contact types meet the requirements of IEC 60352/DIN EN 60352

## Commercial data

|                                      |               |
|--------------------------------------|---------------|
| Item number                          | 1855034       |
| Packing unit                         | 10 pc         |
| Minimum order quantity               | 1 pc          |
| Sales key                            | AB01          |
| Product key                          | ABLACB        |
| GTIN                                 | 4017918159412 |
| Weight per piece (including packing) | 43.45 g       |
| Weight per piece (excluding packing) | 41.231 g      |
| Customs tariff number                | 85366990      |
| Country of origin                    | PL            |

## Technical data

### Notes

|         |  |
|---------|--|
| General | Connectors may only be connected/disconnected when under no load.  |
| General | Please note that full assembly with the maximum conductor cross-section can cause the sheathed cable to have an impermissibly large external diameter. Dimension the conductor cross-section depending on the number of positions. |
| General | The contact carriers are not suitable for installation in VC-MP-K... coupling housings   |

### Safety note

|  |  |
|--|--|
| Safety note  | <p>WARNING: The connectors may not be plugged in or disconnected under load. Ignoring the warning or improper use may damage persons and/or property.</p>  |
|  | <ul style="list-style-type: none"> <li>• WARNING: Commission properly functioning products only. The products must be regularly inspected for damage. Decommission defective products immediately. Replace damaged products. Repairs are not possible.</li> </ul>  |
|  | <ul style="list-style-type: none"> <li>• WARNING: Only electrically qualified personnel may install and operate the product. They must observe the following safety notes. The qualified personnel must be familiar with the basics of electrical engineering. They must be able to recognize and prevent danger. The relevant symbol on the packaging indicates that only personnel familiar with electrical engineering are allowed to install and operate the product.</li> </ul> |
|  | <ul style="list-style-type: none"> <li>• The products are suitable for applications in plant, controller, and electrical device engineering.</li> </ul>  |
|  | <ul style="list-style-type: none"> <li>• When operating the connectors in outdoor applications, they must be separately protected against environmental influences.</li> </ul>   |
|  | <ul style="list-style-type: none"> <li>• Assembled products may not be manipulated or improperly opened.</li> </ul>  |
|  | <ul style="list-style-type: none"> <li>• Only use mating connectors that are specified in the technical data of the standards listed (e.g. the ones listed in the product accessories online at <a href="https://www.phoenixcontact.com/products">phoenixcontact.com/products</a>).</li> </ul>   |
|  | <ul style="list-style-type: none"> <li>• When using the product in direct connection with third-party manufacturers, the user is responsible.</li> </ul>   |
|  | <ul style="list-style-type: none"> <li>• For operating voltages &gt; 50 V AC, conductive connector housings must be grounded</li> </ul>  |
|  | <ul style="list-style-type: none"> <li>• Ensure that the protective or functional ground has been properly connected.</li> </ul>   |
|  | <ul style="list-style-type: none"> <li>• VDE 0100/1.97 § 411.1.3.2 and DIN EN 60 204/11.98 § 14.1.3 are applicable when combining several circuits in a cable and/or connector</li> </ul>  |
|  | <ul style="list-style-type: none"> <li>• Observe the corresponding technical data. You will find information:                             <ul style="list-style-type: none"> <li>o On the product</li> <li>o On the packing label</li> <li>o In the supplied documentation</li> <li>o Online at <a href="https://www.phoenixcontact.com/products">phoenixcontact.com/products</a> under the product</li> </ul> </li> </ul>   |
|  | <ul style="list-style-type: none"> <li>• Only use tools recommended by Phoenix Contact</li> </ul>  |
| <ul style="list-style-type: none"> <li>• The installation notes/Design In documents online on the</li> </ul> |  |

# VC-D3-ST50-PE - Contact insert



1855034

<https://www.phoenixcontact.com/us/products/1855034>

|  |   |
|--|---|
|  | download page at <a href="https://www.phoenixcontact.com/products">phoenixcontact.com/products</a> must be observed for this product.   |
|  | <ul style="list-style-type: none"><li>• Use a protective cap to protect connectors that are not in use. The suitable accessories are available online in the accessory section of the product at <a href="https://www.phoenixcontact.com/products">phoenixcontact.com/products</a></li><li>• Operate the connector only when it is fully plugged in.</li><li>• Ensure that when laying the cable, the tensile load on the connectors does not exceed the upper limit specified in the standards.</li><li>• Observe the minimum bending radius of the cable. Lay the cable without twisting it.</li><li>• The connector warms up in normal operation. Depending on the ambient conditions, the surface of the connector can continue to warm up. In this case, the user is responsible for posting warnings (e.g. DIN EN ISO 13732-1:2008-12).</li></ul> |

## Product properties

|                       |                |
|-----------------------|----------------|
| Product type          | Contact insert |
| Product family        | VARIOCON       |
| Series                | VC-D           |
| Type                  | VC3            |
| Number of positions   | 50             |
| Connection profile    | 50+PE          |
| Contact material type | turned         |
|                       | rolled         |

## Insulation characteristics

|                     |   |
|---------------------|---|
| Degree of pollution | 3 |
|---------------------|---|

## Electrical properties

|                             |                |
|-----------------------------|----------------|
| Rated voltage (III/3)       | 250 V          |
|                             | 250 V          |
| Nominal voltage ATD         | 250 (III/2.00) |
| Rated surge voltage         | 4 kV           |
| Rated surge voltage (III/3) | 6 kV           |
| Rated surge voltage         | 4 kV           |
| Rated current               | 10 A           |
|                             | 10 A           |
|                             | max. 10 A      |
| Nominal voltage $U_N$       | 250 V          |

## Connection data

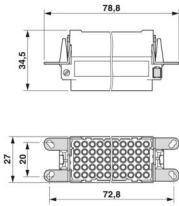
|                                  |                     |
|----------------------------------|---------------------|
| Connection method                | Crimp connection    |
| Conductor cross-section flexible | 1.5 mm <sup>2</sup> |

## Dimensions

# VC-D3-ST50-PE - Contact insert

1855034

<https://www.phoenixcontact.com/us/products/1855034>

|                     |  |
|---------------------|--|
| Dimensional drawing |  |
| Width               | 78.8 mm  |
| Height              | 35.5 mm  |
| Length              | 25.4 mm  |

## Mechanical characteristics

|                  |        |
|------------------|--------|
| Contact diameter | 1.6 mm |
|------------------|--------|

## Material specifications

|  |               |
|--|---------------|
| Color of the housing part              | black         |
| Material Housing                       | Polyamide     |
| Material Contact carrier               | PA            |
| Material Contact                       | CuZn          |
| Flammability rating according to UL 94 | V0            |
| Insulating material group              | III           |
| Contact surface material               | nickel-plated |

## Cable/line

|   |  |
|---|--|
| Single wire, cross section              | 0.14 mm <sup>2</sup> 1.5 mm <sup>2</sup> |
| Stripping length of the individual wire | 8 mm                                     |

## Mechanical properties

### Mechanical data

|                             |        |
|-----------------------------|--------|
| Insertion/withdrawal cycles | >= 500 |
|-----------------------------|--------|

## Environmental and real-life conditions

### Ambient conditions

|                                 |                   |
|---------------------------------|-------------------|
| Ambient temperature (operation) | -40 °C ... 125 °C |
|---------------------------------|-------------------|

# VC-D3-ST50-PE - Contact insert

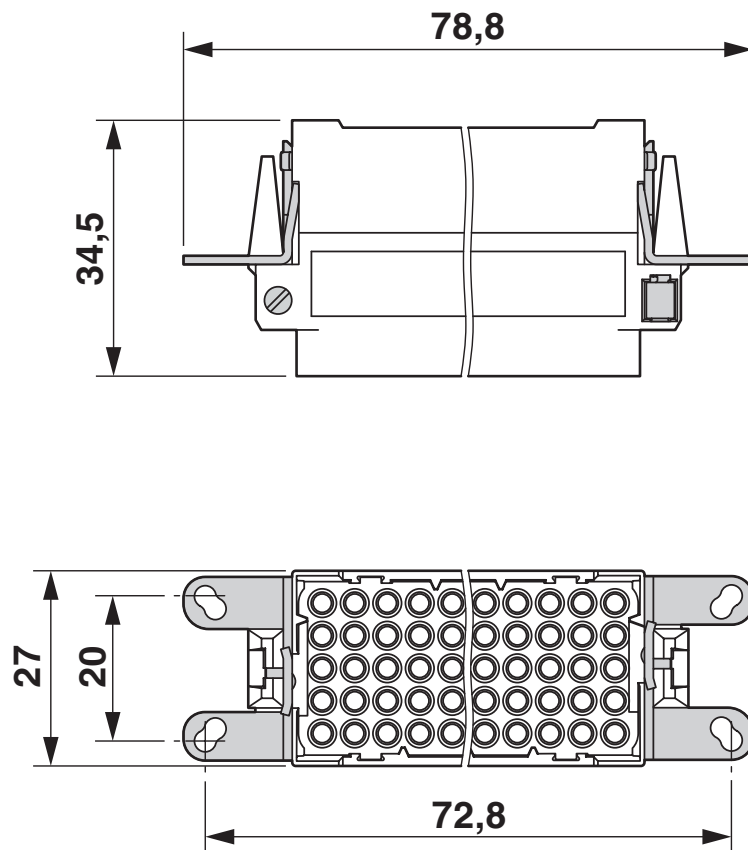
1855034

<https://www.phoenixcontact.com/us/products/1855034>



## Drawings

Dimensional drawing

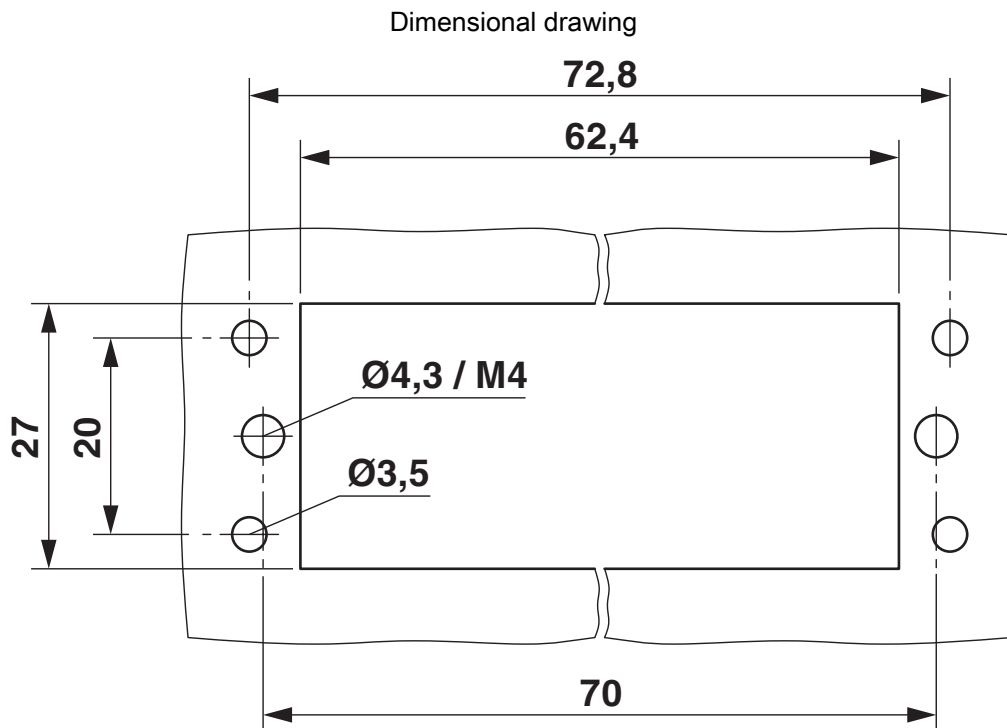


Contact insert

# VC-D3-ST50-PE - Contact insert

1855034

<https://www.phoenixcontact.com/us/products/1855034>



Mounting cutout

# VC-D3-ST50-PE - Contact insert





1855034

<https://www.phoenixcontact.com/us/products/1855034>

## Approvals

To download certificates, visit the product detail page: <https://www.phoenixcontact.com/us/products/1855034>

|  <b>cUL Recognized</b><br>Approval ID: E118976 |                       |                       |                   |                             |
|---|-----------------------|-----------------------|-------------------|-----------------------------|
|   | Nominal voltage $U_N$ | Nominal current $I_N$ | Cross section AWG | Cross section $\text{mm}^2$ |
| keine   |                       |                       |                   |                             |
|   | 250 V                 | 4 A                   | -                 | -                           |

|  <b>UL Recognized</b><br>Approval ID: E118976 |                       |                       |                   |                             |
|--|-----------------------|-----------------------|-------------------|-----------------------------|
|  | Nominal voltage $U_N$ | Nominal current $I_N$ | Cross section AWG | Cross section $\text{mm}^2$ |
| keine  |                       |                       |                   |                             |
|  | 250 V                 | 4 A                   | -                 | -                           |

# VC-D3-ST50-PE - Contact insert



1855034

<https://www.phoenixcontact.com/us/products/1855034>

## Classifications

### ECLASS

ECLASS-13.0

27440192

### ETIM

ETIM 9.0

EC002943

### UNSPSC

UNSPSC 21.0

39121400

# VC-D3-ST50-PE - Contact insert



1855034

<https://www.phoenixcontact.com/us/products/1855034>

## Environmental product compliance

### EU RoHS

|   |                    |
|---|--------------------|
| Fulfills EU RoHS substance requirements | Yes, No exemptions |
|---|--------------------|

### China RoHS

|  |  |
|--|--|
| Environment friendly use period (EFUP) | EFUP-E                                   |
|  | No hazardous substances above the limits |

### EU REACH SVHC

|                                     |                            |
|-------------------------------------|----------------------------|
| REACH candidate substance (CAS No.) | No substance above 0.1 wt% |
|-------------------------------------|----------------------------|

Phoenix Contact 2026 © - all rights reserved  
<https://www.phoenixcontact.com>

Phoenix Contact USA  
586 Fulling Mill Road  
Middletown, PA 17057, United States  
(+717) 944-1300  
[info@phoenixcon.com](mailto:info@phoenixcon.com)