

FLRP/ICV 80 - Mounting material



1808353

<https://www.phoenixcontact.com/us/products/1808353>

Please be informed that the data shown in this PDF document is generated from our online catalog. Please find the complete data in the user documentation. Our general terms of use for downloads are valid.

Pair of guide rails, is inserted into the groove ICV/...G, height: 86 mm, hole diameter: 3.4 mm



Commercial data

Item number	1808353
Packing unit	10 pc
Minimum order quantity	10 pc
Sales key	AA18
Product key	AARZZA
GTIN	4017918047023
Weight per piece (including packing)	13.45 g
Weight per piece (excluding packing)	12.89 g
Customs tariff number	85369010
Country of origin	DE

FLRP/ICV 80 - Mounting material



1808353

<https://www.phoenixcontact.com/us/products/1808353>

Technical data

Product properties

Product type	Panel-mount frame
Product family	Accessories
Number of positions	1
Pitch	0 mm

Dimensions

Dimensional drawing	
Pitch	-

Material specifications

Color (Housing)	green (RAL 6021)
-----------------	------------------

FLRP/ICV 80 - Mounting material

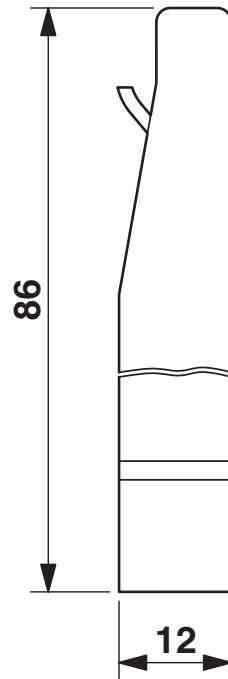
1808353

<https://www.phoenixcontact.com/us/products/1808353>

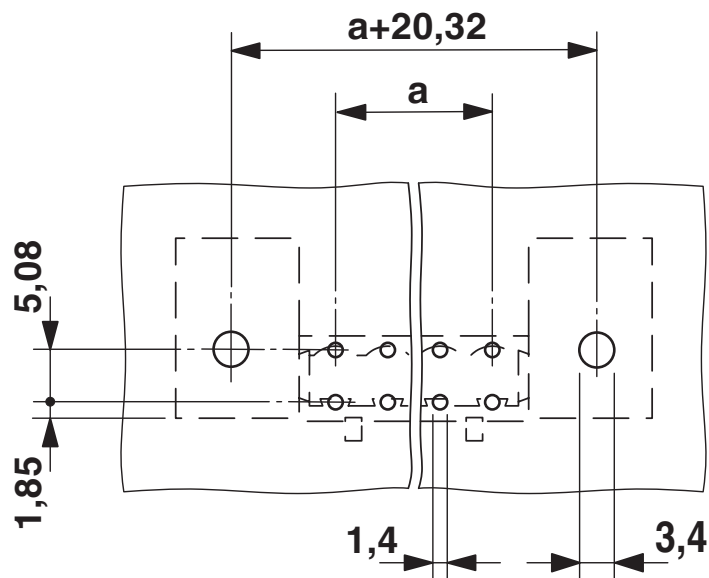


Drawings

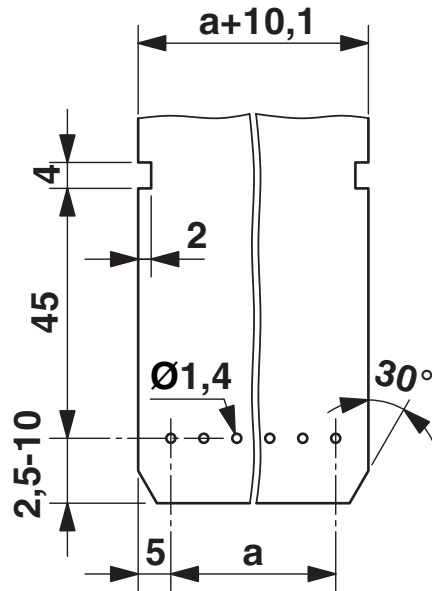
Dimensional drawing



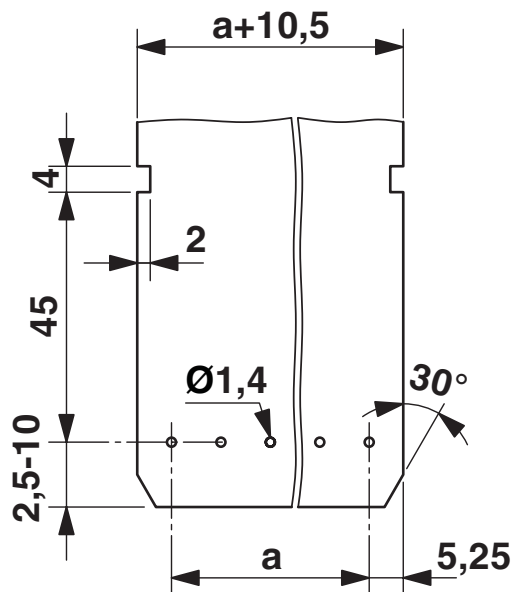
Drilling plan/solder pad geometry



Drilling plan/solder pad geometry



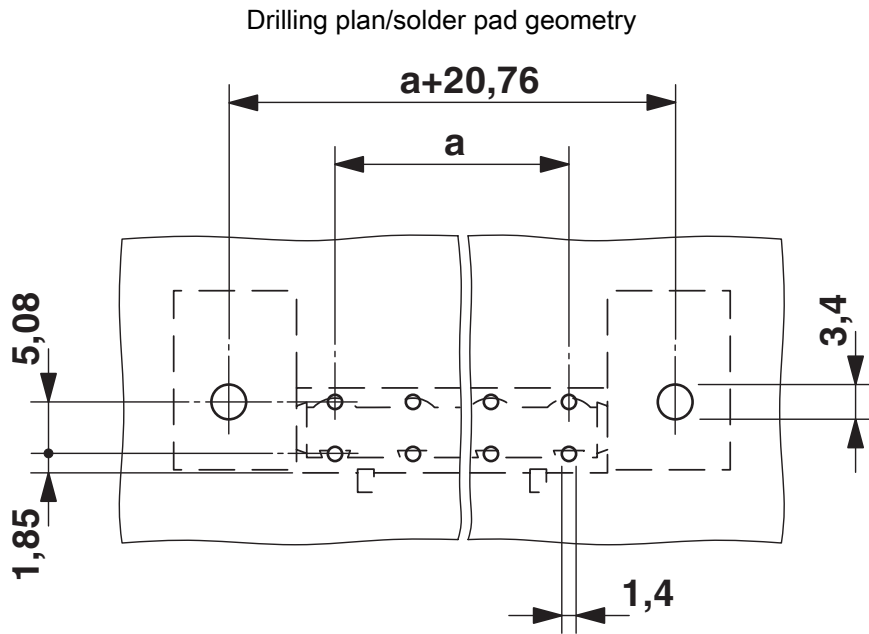
Drilling plan/solder pad geometry



FLRP/ICV 80 - Mounting material

1808353

<https://www.phoenixcontact.com/us/products/1808353>



FLRP/ICV 80 - Mounting material



1808353

<https://www.phoenixcontact.com/us/products/1808353>

Classifications

ECLASS

ECLASS-13.0	27460405
ECLASS-15.0	27460405

ETIM

ETIM 10.0	EC002943
-----------	----------

UNSPSC

UNSPSC 21.0	39121400
-------------	----------

FLRP/ICV 80 - Mounting material



1808353

<https://www.phoenixcontact.com/us/products/1808353>

Environmental product compliance

EU RoHS

Fulfills EU RoHS substance requirements	Yes, No exemptions
-----------------------------------------	--------------------

China RoHS

Environment friendly use period (EFUP)	EFUP-E
	No hazardous substances above the limits

EU REACH SVHC

REACH candidate substance (CAS No.)	No substance above 0.1 wt%
-------------------------------------	----------------------------

EF3.1 Climate Change

CO2e kg	0.084 kg CO2e
---------	---------------

Phoenix Contact 2026 © - all rights reserved
<https://www.phoenixcontact.com>

Phoenix Contact USA
586 Fulling Mill Road
Middletown, PA 17057, United States
(+717) 944-1300
info@phoenixcon.com