

# PV-CM-P 2,5(-) - Connector



1795336

<https://www.phoenixcontact.com/us/products/1795336>

Please be informed that the data shown in this PDF document is generated from our online catalog. Please find the complete data in the user documentation. Our general terms of use for downloads are valid.



Photovoltaic connector, nominal current: 15 A, nom. voltage: 1000 V, connection method: Pierce connection, color: black. Only with Huber & Suhner RADOX® Solar (TÜV) solar cable

## Commercial data

Item number	1795336
Packing unit	1 pc
Note	Made to order (non-returnable)
Sales key	AB02
Product key	ABLBBB
GTIN	4046356651189
Weight per piece (including packing)	4.299 g
Weight per piece (excluding packing)	4.244 g
Customs tariff number	85366990
Country of origin	DE

# PV-CM-P 2,5(-) - Connector



1795336

<https://www.phoenixcontact.com/us/products/1795336>

## Technical data

### Product properties

Product type	Photovoltaic connectors
Product family	SUNCLIX

### Insulation characteristics

Protection class	II
------------------	----

### Electrical properties

Rated voltage (III/2)	1000 V
Rated surge voltage (III/2)	10 kV
Rated surge voltage (III/3)	8 kV
Rated current (2.5 mm <sup>2</sup> )	15 A
Contact resistance	0.3 mΩ

### Connection data

Connection method	Pierce connection
Stripping length	10 mm

### Material specifications

Color	black
Flammability rating according to UL 94	V0
Insulating material	mPPE
Contact surface	Gold Au
Contact material	Cu
Contact surface material	Ag

### Cable/line

Cable type	PV1-F cables
External cable diameter	5.05 mm ... 5.35 mm
Single wire, cross section	2.5 mm <sup>2</sup> 2.5 mm <sup>2</sup>
Cable pull-out force	> 190 N

### Mechanical properties

#### Mechanical data

Insertion force	40 N ±5 N
Withdrawal force	170 N ±5 N

### Environmental and real-life conditions

#### Ambient conditions

Degree of protection (when plugged in)	IP67
Degree of protection	IP67

# PV-CM-P 2,5(-) - Connector

1795336

<https://www.phoenixcontact.com/us/products/1795336>



Ambient temperature (operation)	-40 °C ... 85 °C
Ambient temperature (assembly)	-25 °C ... 50 °C

# PV-CM-P 2,5(-) - Connector

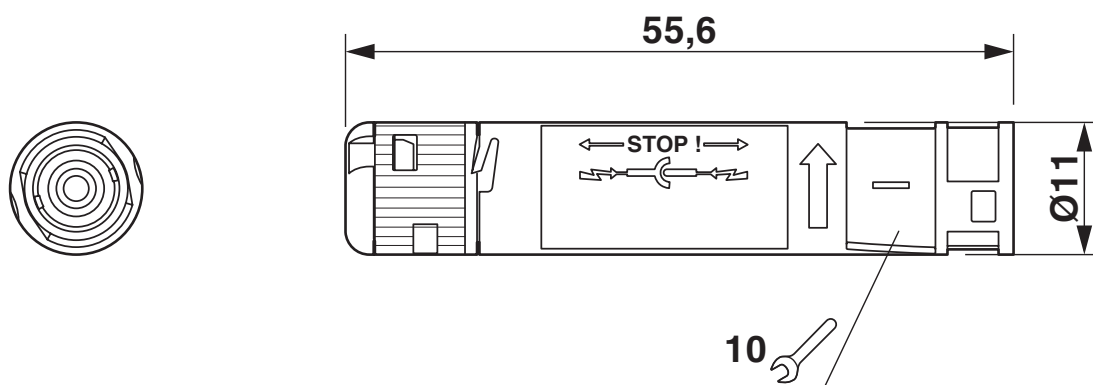
1795336

<https://www.phoenixcontact.com/us/products/1795336>



## Drawings

Dimensional drawing



# PV-CM-P 2,5(-) - Connector

1795336

<https://www.phoenixcontact.com/us/products/1795336>



## Classifications

### ECLASS

ECLASS-13.0	27440107
-------------	----------

# PV-CM-P 2,5(-) - Connector



1795336

<https://www.phoenixcontact.com/us/products/1795336>

## Environmental product compliance

### EU RoHS

Fulfills EU RoHS substance requirements	Yes, No exemptions
---	--------------------

### China RoHS

Environment friendly use period (EFUP)	EFUP-50
	An article-related China RoHS declaration table can be found in the download area for the respective article under "Manufacturer declaration". For all articles with EFUP-E, no China RoHS declaration table issued and required.

### EU REACH SVHC

REACH candidate substance (CAS No.)	No substance above 0.1 wt%
-------------------------------------	----------------------------

Phoenix Contact 2026 © - all rights reserved  
<https://www.phoenixcontact.com>

Phoenix Contact USA  
586 Fulling Mill Road  
Middletown, PA 17057, United States  
(+717) 944-1300  
[info@phoenixcon.com](mailto:info@phoenixcon.com)