

# HC-D 50-AMQ - Housing

1775868

<https://www.phoenixcontact.com/us/products/1775868>



Please be informed that the data shown in this PDF document is generated from our online catalog. Please find the complete data in the user documentation. Our general terms of use for downloads are valid.



Panel mounting base D50, with double locking latch, material: Die-cast aluminum, height: 28 mm, cable gland: none, Standard

## Commercial data

Item number	1775868
Packing unit	1 pc
Note	Made to order (non-returnable)
Sales key	BF55
Product key	AF7AAE
GTIN	4017918038410
Weight per piece (including packing)	174.68 g
Weight per piece (excluding packing)	174.68 g
Customs tariff number	85389099
Country of origin	DE

# HC-D 50-AMQ - Housing

1775868

<https://www.phoenixcontact.com/us/products/1775868>

## Technical data

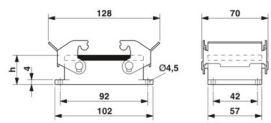
### Notes

General	For contact inserts HC-D25, A16/A32
---------	-------------------------------------

### Product properties

Product type	Housing with locking latch
Housing type	Panel mounting base
Application	Standard
Type	D50
Shielded	no
Pg screw connection	none

### Dimensions

Dimensional drawing	
Width	57 mm
Height	28 mm
Length	102 mm

### Installation dimensions

Width of the assembly cutout	48 mm
Length of the assembly cutout	76 mm

### Material specifications

Seal material	NBR
Housing material	Die-cast aluminum
Housing surface material	Powder-coated, gray
Locking latch material	Steel, galvanized

### Mechanical properties

#### Mechanical data

Locking type	Latch
--------------	-------

### Environmental and real-life conditions

#### Ambient conditions

Degree of protection	IP65
Ambient temperature (operation)	-40 °C ... 125 °C

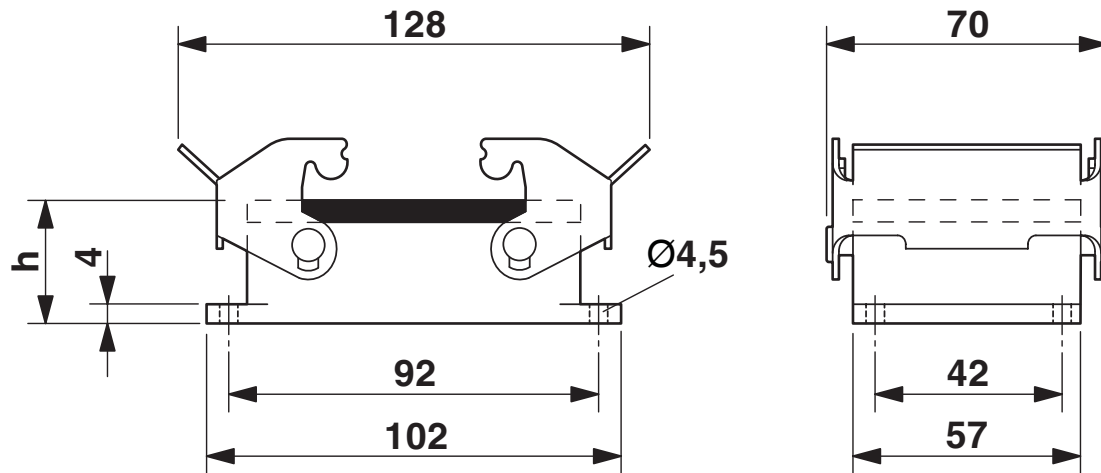
# HC-D 50-AMQ - Housing

1775868

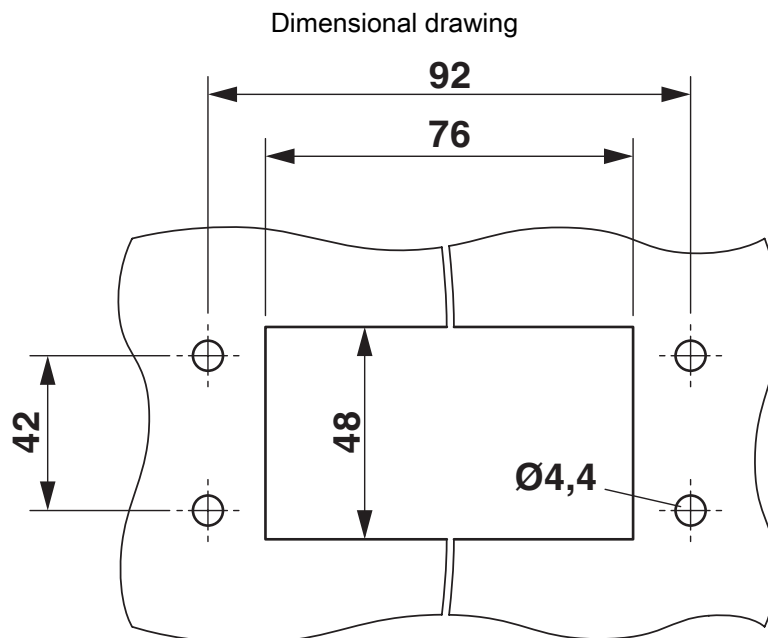
<https://www.phoenixcontact.com/us/products/1775868>

## Drawings

Dimensional drawing



Dimensional drawing



Mounting cutout

# HC-D 50-AMQ - Housing

1775868

<https://www.phoenixcontact.com/us/products/1775868>



## Classifications

### ECLASS

ECLASS-13.0	27440202
ECLASS-15.0	27440202

# HC-D 50-AMQ - Housing

1775868

<https://www.phoenixcontact.com/us/products/1775868>



## Environmental product compliance

### EU RoHS

Fulfills EU RoHS substance requirements	Yes, No exemptions
---	--------------------

### China RoHS

Environment friendly use period (EFUP)	EFUP-E
	No hazardous substances above the limits

### EU REACH SVHC

REACH candidate substance (CAS No.)	No substance above 0.1 wt%
-------------------------------------	----------------------------

Phoenix Contact 2026 © - all rights reserved  
<https://www.phoenixcontact.com>

Phoenix Contact USA  
586 Fulling Mill Road  
Middletown, PA 17057, United States  
(+717) 944-1300  
[info@phoenixcon.com](mailto:info@phoenixcon.com)