

HC-B 32-SMQ-72/M1PG29 - Housing



1775703

<https://www.phoenixcontact.com/us/products/1775703>

Please be informed that the data shown in this PDF document is generated from our online catalog. Please find the complete data in the user documentation. Our general terms of use for downloads are valid.

Box mounting base, with double locking latch, height 72 mm, with screw connection, 1x Pg29



Commercial data

Item number	1775703
Packing unit	1 pc
Note	Made to order (non-returnable)
Sales key	BF55
Product key	AF7AAC
GTIN	4017918038274
Weight per piece (including packing)	576.83 g
Weight per piece (excluding packing)	576.61 g
Customs tariff number	85389099
Country of origin	DE

HC-B 32-SMQ-72/M1PG29 - Housing



1775703

<https://www.phoenixcontact.com/us/products/1775703>

Technical data

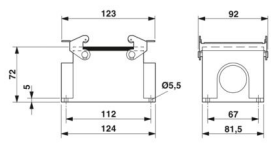
Notes

General	For contact inserts HC-B32, DD144, M
---------	--------------------------------------

Product properties

Product type	Housing with locking latch
Housing type	Surface mounting housing
Application	Standard
Type	B32
No. of cable outlets	1
Type of the screw connection	1x Pg29
Shielded	no
Cable outlet	lateral
Pg screw connection	with

Dimensions

Dimensional drawing	
Width	81.5 mm
Height	72 mm
Length	124 mm
Wrench size, union nut	37 mm

Material specifications

Material Screw connection	Brass, nickel-plated
Seal material Cable seal	NBR
Housing material	Die-cast aluminum
Housing surface material	Powder-coated, gray
Locking latch material	Steel, galvanized

Mechanical properties

Mechanical data

Type of the screw connection	1x Pg29
Locking type	Latch

Cable/line

External cable diameter Cable 1	18 mm ... 27 mm
---------------------------------	-----------------

Connection data

HC-B 32-SMQ-72/M1PG29 - Housing



1775703

<https://www.phoenixcontact.com/us/products/1775703>

External cable diameter	18 mm ... 27 mm
-------------------------	-----------------

Environmental and real-life conditions

Ambient conditions

Degree of protection	IP65
Ambient temperature (operation)	-40 °C ... 125 °C

HC-B 32-SMQ-72/M1PG29 - Housing

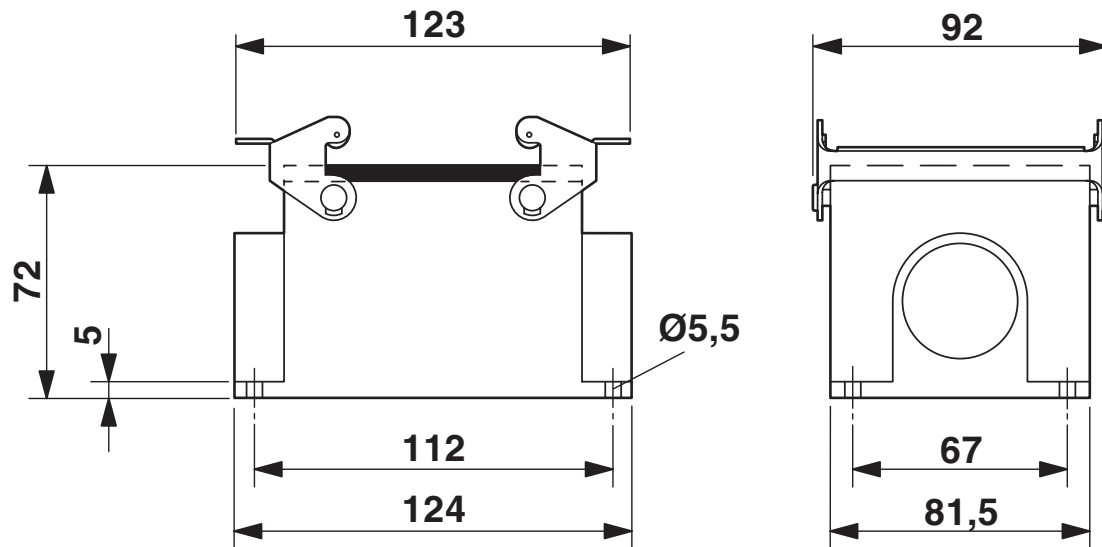


1775703

<https://www.phoenixcontact.com/us/products/1775703>

Drawings

Dimensional drawing



Dimensional drawing

HC-B 32-SMQ-72/M1PG29 - Housing



1775703

<https://www.phoenixcontact.com/us/products/1775703>

Classifications

ECLASS

ECLASS-13.0	27440202
ECLASS-15.0	27440202

UNSPSC

UNSPSC 21.0	31261501
-------------	----------

HC-B 32-SMQ-72/M1PG29 - Housing



1775703

<https://www.phoenixcontact.com/us/products/1775703>

Environmental product compliance

China RoHS

Environment friendly use period (EFUP)	EFUP-E
	No hazardous substances above the limits

EU REACH SVHC

REACH candidate substance (CAS No.)	No substance above 0.1 wt%
-------------------------------------	----------------------------

Phoenix Contact 2026 © - all rights reserved
<https://www.phoenixcontact.com>

Phoenix Contact USA
586 Fulling Mill Road
Middletown, PA 17057, United States
(+717) 944-1300
info@phoenixcon.com