

HC-D 7-AML/GR/PA - Housing



1772272

<https://www.phoenixcontact.com/us/products/1772272>

Please be informed that the data shown in this PDF document is generated from our online catalog. Please find the complete data in the user documentation. Our general terms of use for downloads are valid.

HEAVYCON panel mounting base D7, with single locking latch, height 24 mm, straight, PA



Commercial data

Item number	1772272
Packing unit	1 pc
Note	Made to order (non-returnable)
Sales key	BF55
Product key	AF7AAE
GTIN	4017918036942
Weight per piece (including packing)	19.68 g
Weight per piece (excluding packing)	18.82 g
Customs tariff number	85389099
Country of origin	DE

1772272

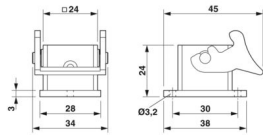
<https://www.phoenixcontact.com/us/products/1772272>

Technical data

Product properties

Product type	Housing with locking latch
Housing type	Panel mounting base
Application	Standard
Type	D7
Shielded	no
Pg screw connection	none

Dimensions

Dimensional drawing	
Width	38 mm
Height	24 mm
Length	24 mm

Installation dimensions

Width of the assembly cutout	21 mm
Length of the assembly cutout	21 mm

Material specifications

Seal material	NBR
Housing material	PA
Housing surface material	PA, light gray
Locking latch material	PA

Mechanical properties

Mechanical data

Locking type	Latch
--------------	-------

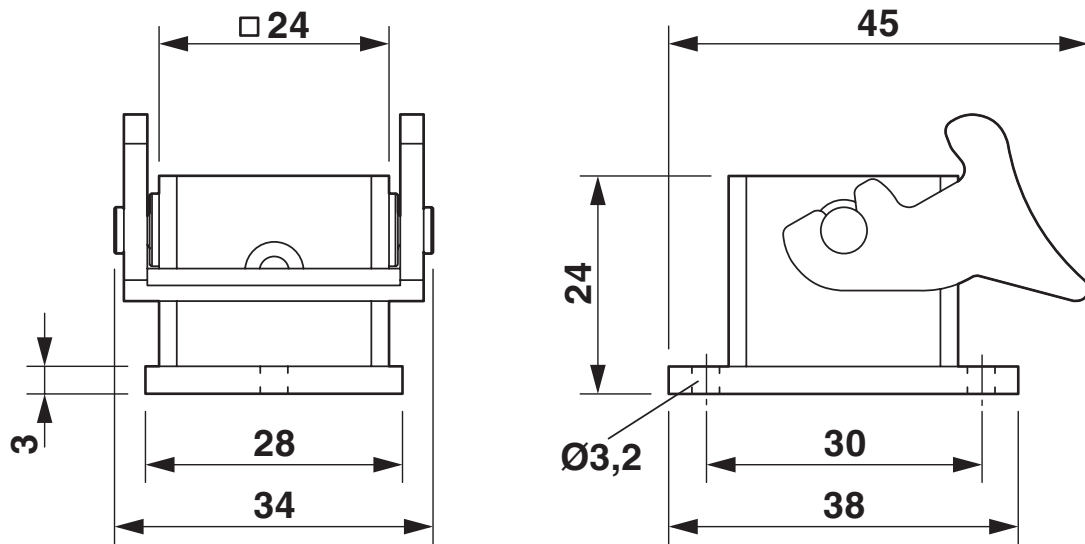
Environmental and real-life conditions

Ambient conditions

Degree of protection	IP54
	IP65 (with sealing screw)
Ambient temperature (operation)	-40 °C ... 125 °C

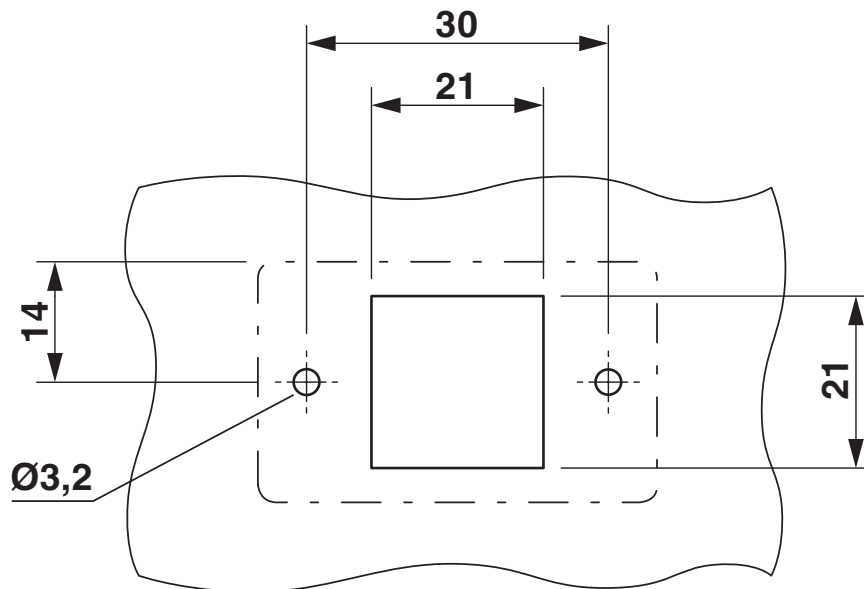
Drawings

Dimensional drawing



Dimensional drawing

Dimensional drawing



Mounting cutout

HC-D 7-AML/GR/PA - Housing

1772272

<https://www.phoenixcontact.com/us/products/1772272>



Classifications

ECLASS

ECLASS-13.0	27440202
ECLASS-15.0	27440202

HC-D 7-AML/GR/PA - Housing



1772272

<https://www.phoenixcontact.com/us/products/1772272>

Environmental product compliance

EU RoHS

Fulfills EU RoHS substance requirements	Yes, No exemptions
---	--------------------

China RoHS

Environment friendly use period (EFUP)	EFUP-E
	No hazardous substances above the limits

EU REACH SVHC

REACH candidate substance (CAS No.)	No substance above 0.1 wt%
-------------------------------------	----------------------------

Phoenix Contact 2026 © - all rights reserved
<https://www.phoenixcontact.com>

Phoenix Contact USA
586 Fulling Mill Road
Middletown, PA 17057, United States
(+717) 944-1300
info@phoenixcon.com