

# HC-B 16-SMLD-67/M1PG21 - Housing



1771684

<https://www.phoenixcontact.com/us/products/1771684>

Please be informed that the data shown in this PDF document is generated from our online catalog. Please find the complete data in the user documentation. Our general terms of use for downloads are valid.



Box mounting base, with single locking latch, height 67 mm, with screw connection, 1x Pg21, with protective covers

## Commercial data

Item number	1771684
Packing unit	1 pc
Note	Made to order (non-returnable)
Sales key	BF55
Product key	AF7AAC
GTIN	4017918036409
Weight per piece (including packing)	408.3 g
Weight per piece (excluding packing)	394.07 g
Customs tariff number	85389099
Country of origin	DE

# HC-B 16-SMLD-67/M1PG21 - Housing

1771684

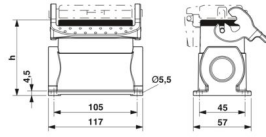
<https://www.phoenixcontact.com/us/products/1771684>

## Technical data

### Product properties

Product type	Housing with locking latch
Housing type	Surface mounting housing
Application	Standard
Type	B16
No. of cable outlets	1
Type of the screw connection	1x Pg21
Protective cover	yes
Shielded	no
Cable outlet	left (view of the opened single locking latch)
Pg screw connection	with

### Dimensions

Dimensional drawing	
Width	57 mm
Height	67 mm
Length	117 mm
Wrench size, union nut	28 mm

### Material specifications

Material Screw connection	Brass, nickel-plated
Material Protective cover	PA
Seal material Cable seal	NBR
Housing material	Die-cast aluminum
Housing surface material	Powder-coated, gray
Locking latch material	Stainless steel, handle: PA

### Mechanical properties

#### Mechanical data

Type of the screw connection	1x Pg21
Locking type	Latch

### Cable/line

External cable diameter Cable 1	10 mm ... 19 mm
---------------------------------	-----------------

### Connection data

External cable diameter	10 mm ... 19 mm
-------------------------	-----------------

# HC-B 16-SMLD-67/M1PG21 - Housing



1771684

<https://www.phoenixcontact.com/us/products/1771684>

## Environmental and real-life conditions

### Ambient conditions

Degree of protection	IP65 (When plugged in)
	IP54 (with closed protective cover)
Ambient temperature (operation)	-40 °C ... 125 °C

# HC-B 16-SMLD-67/M1PG21 - Housing



1771684

<https://www.phoenixcontact.com/us/products/1771684>

## Drawings

Dimensional drawing



Dimensional drawing

# HC-B 16-SMLD-67/M1PG21 - Housing



1771684

<https://www.phoenixcontact.com/us/products/1771684>

## Classifications

### ECLASS

ECLASS-13.0	27440202
ECLASS-15.0	27440202

### UNSPSC

UNSPSC 21.0	31261501
-------------	----------

# HC-B 16-SMLD-67/M1PG21 - Housing



1771684

<https://www.phoenixcontact.com/us/products/1771684>

## Environmental product compliance

### China RoHS

Environment friendly use period (EFUP)	EFUP-E
	No hazardous substances above the limits

### EU REACH SVHC

REACH candidate substance (CAS No.)	No substance above 0.1 wt%
-------------------------------------	----------------------------

Phoenix Contact 2026 © - all rights reserved  
<https://www.phoenixcontact.com>

Phoenix Contact USA  
586 Fulling Mill Road  
Middletown, PA 17057, United States  
(+717) 944-1300  
[info@phoenixcon.com](mailto:info@phoenixcon.com)