

# QC 1,5/ 7-ST COD FTTH - PCB connector

1712487

<https://www.phoenixcontact.com/us/products/1712487>

Please be informed that the data shown in this PDF document is generated from our online catalog. Please find the complete data in the user documentation. Our general terms of use for downloads are valid.



The figure shows a 10-position version of the product

PCB connector, nominal cross section: 1.5 mm<sup>2</sup>, color: green, nominal current: 12 A, rated voltage (III/2): 630 V, contact surface: Sn, contact connection type: Socket, number of rows: 1, number of positions: 7, product range: QC 1,5/..-ST, pitch: 5 mm, connection method: Displacement connection, conductor/PCB connection direction: 0 °, locking clip: - Locking clip, plug-in system: COMBICON MSTB 2,5, locking: without, mounting method: without, type of packaging: packed in cardboard

## Your advantages

- Connection without conductor pretreatment for huge time savings
- Can be combined with the MSTB 2,5 range

## Commercial data

|                                      |               |
|--------------------------------------|---------------|
| Item number                          | 1712487       |
| Packing unit                         | 50 pc         |
| Minimum order quantity               | 50 pc         |
| Sales key                            | AA03          |
| Product key                          | AACQCA        |
| GTIN                                 | 4046356086349 |
| Weight per piece (including packing) | 19.94 g       |
| Weight per piece (excluding packing) | 17.63 g       |
| Customs tariff number                | 85366990      |
| Country of origin                    | CN            |

# QC 1,5/ 7-ST COD FTTH - PCB connector



1712487

<https://www.phoenixcontact.com/us/products/1712487>

## Technical data

### Product properties

|                     |                       |
|---------------------|-----------------------|
| Product type        | PCB connector         |
| Product family      | QC 1,5/...-ST         |
| Product line        | COMBICON Connectors M |
| Number of positions | 7                     |
| Pitch               | 5 mm                  |
| Number of rows      | 1                     |
| Mounting type       | no                    |

### Electrical properties

#### Properties

|                             |        |
|-----------------------------|--------|
| Nominal current $I_N$       | 12 A   |
| Nominal voltage $U_N$       | 630 V  |
| Rated voltage (III/3)       | 500 V  |
| Rated surge voltage (III/3) | 6 kV   |
| Rated voltage (III/2)       | 630 V  |
| Rated surge voltage (III/2) | 6 kV   |
| Rated voltage (II/2)        | 1000 V |
| Rated surge voltage (II/2)  | 6 kV   |

### Connection data

#### Connection technology

|                         |                     |
|-------------------------|---------------------|
| Type                    | Standard            |
| Connector system        | COMBICON MSTB 2,5   |
| Nominal cross section   | 1.5 mm <sup>2</sup> |
| Contact connection type | Socket              |

#### Interlock

|               |         |
|---------------|---------|
| Locking type  | without |
| Mounting type | without |

#### Conductor connection

|                                    |   |
|------------------------------------|---|
| Connection method                  | Displacement connection                     |
| Conductor/PCB connection direction | 0 °   |
| Conductor cross-section rigid      | 0.2 mm <sup>2</sup> ... 1.5 mm <sup>2</sup> |
| Conductor cross-section flexible   | 0.2 mm <sup>2</sup> ... 1.5 mm <sup>2</sup> |
| Conductor cross-section AWG        | 24 ... 16                                   |

### Material specifications

#### Material data - contact

|      |  |
|------|--|
| Note | WEEE/RoHS-compliant, free of whiskers according to IEC |
|------|--|

# QC 1,5/ 7-ST COD FTTH - PCB connector

1712487

<https://www.phoenixcontact.com/us/products/1712487>

|  |                           |
|--|---------------------------|
|  | 60068-2-82/JEDEC JESD 201 |
| Contact material                         | Cu alloy                  |
| Surface characteristics                  | hot-dip tin-plated        |
| Metal surface terminal point (top layer) | Tin (4 µm - 8 µm Sn)      |
| Metal surface contact area (top layer)   | Tin (4 µm - 8 µm Sn)      |

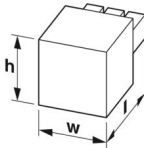
## Material data - housing

|   |              |
|---|--------------|
| Color (Housing)   | green (6021) |
| Insulating material   | PA           |
| Insulating material group   | I            |
| CTI according to IEC 60112  | 600          |
| Flammability rating according to UL 94                            | V0           |
| Glow wire flammability index GWFI according to EN 60695-2-12      | 850          |
| Glow wire ignition temperature GWIT according to EN 60695-2-13    | 775          |
| Temperature for the ball pressure test according to EN 60695-10-2 | 125 °C       |

## Material data – actuating element

|   |               |
|---|---------------|
| Color (Actuating element)   | orange (2003) |
| Insulating material   | PA            |
| Insulating material group   | I             |
| CTI according to IEC 60112  | 600           |
| Flammability rating according to UL 94                            | V0            |
| Glow wire flammability index GWFI according to EN 60695-2-12      | 850           |
| Glow wire ignition temperature GWIT according to EN 60695-2-13    | 775           |
| Temperature for the ball pressure test according to EN 60695-10-2 | 125 °C        |

## Dimensions

|                     |  |
|---------------------|--|
| Dimensional drawing |  |
| Pitch               | 5 mm   |
| Width [w]           | 36.4 mm  |
| Height [h]          | 19.6 mm  |
| Length [l]          | 36.9 mm  |

## Notes

|                    |  |
|--------------------|--|
| Notes on operation | In accordance with IEC 61984, COMBICON connectors have no switching power (COC). During designated use, they must not be plugged in or disconnected when carrying voltage or under load. |
|--------------------|--|

## Environmental and real-life conditions

### Ambient conditions

|   |   |
|---|---|
| Ambient temperature (storage/transport) | -40 °C ... 70 °C                                    |
| Relative humidity (storage/transport)   | 30 % ... 70 %                                       |
| Ambient temperature (assembly)          | -5 °C ... 100 °C                                    |
| Ambient temperature (operation)         | -40 °C ... 100 °C (dependent on the derating curve) |

## Electrical tests

### Air clearances and creepage distances |

|  |                     |
|--|---------------------|
| Specification  | IEC 60664-1:2007-04 |
| Insulating material group                              | I                   |
| Comparative tracking index (IEC 60112)                 | CTI 600             |
| Rated insulation voltage (III/3)                       | 500 V               |
| Rated surge voltage (III/3)                            | 6 kV                |
| minimum clearance value - non-homogenous field (III/3) | 5.5 mm              |
| minimum creepage distance (III/3)                      | 6.3 mm              |
| Rated insulation voltage (III/2)                       | 630 V               |
| Rated surge voltage (III/2)                            | 6 kV                |
| minimum clearance value - non-homogenous field (III/2) | 5.5 mm              |
| minimum creepage distance (III/2)                      | 5.5 mm              |
| Rated insulation voltage (II/2)                        | 1000 V              |
| Rated surge voltage (II/2)                             | 6 kV                |
| minimum clearance value - non-homogenous field (II/2)  | 5.5 mm              |
| minimum creepage distance (II/2)                       | 5.5 mm              |

## Packaging specifications

|                   |                     |
|-------------------|---------------------|
| Type of packaging | packed in cardboard |
|-------------------|---------------------|

# QC 1,5/ 7-ST COD FTTH - PCB connector




1712487

<https://www.phoenixcontact.com/us/products/1712487>

## Approvals

To download certificates, visit the product detail page: <https://www.phoenixcontact.com/us/products/1712487>

|  <b>cULus Recognized</b><br>Approval ID: E60425-19931011 |  | Nominal voltage $U_N$ | Nominal current $I_N$ | Cross section AWG | Cross section $\text{mm}^2$ |
|---|--|-----------------------|-----------------------|-------------------|-----------------------------|
| B   |  | 300 V                 | 10 A                  | 24 - 16           | -                           |
| D   |  | 300 V                 | 10 A                  | 24 - 16           | -                           |

# QC 1,5/ 7-ST COD FTTH - PCB connector



1712487

<https://www.phoenixcontact.com/us/products/1712487>

## Classifications

### ECLASS

|             |          |
|-------------|----------|
| ECLASS-13.0 | 27460202 |
| ECLASS-15.0 | 27460202 |

### ETIM

|           |          |
|-----------|----------|
| ETIM 10.0 | EC002638 |
|-----------|----------|

### UNSPSC

|             |          |
|-------------|----------|
| UNSPSC 21.0 | 39121400 |
|-------------|----------|

# QC 1,5/ 7-ST COD FTTH - PCB connector



1712487

<https://www.phoenixcontact.com/us/products/1712487>

## Environmental product compliance

### EU RoHS

|   |                    |
|---|--------------------|
| Fulfills EU RoHS substance requirements | Yes, No exemptions |
|---|--------------------|

### China RoHS

|  |  |
|--|--|
| Environment friendly use period (EFUP) | EFUP-E                                   |
|  | No hazardous substances above the limits |

### EU REACH SVHC

|                                     |                            |
|-------------------------------------|----------------------------|
| REACH candidate substance (CAS No.) | No substance above 0.1 wt% |
|-------------------------------------|----------------------------|

### EF3.1 Climate Change

|         |               |
|---------|---------------|
| CO2e kg | 0.232 kg CO2e |
|---------|---------------|

Phoenix Contact 2026 © - all rights reserved  
<https://www.phoenixcontact.com>

Phoenix Contact USA  
586 Fulling Mill Road  
Middletown, PA 17057, United States  
(+717) 944-1300  
[info@phoenixcon.com](mailto:info@phoenixcon.com)