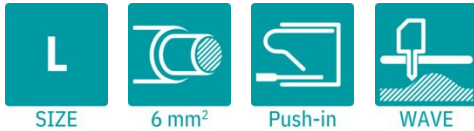


RZ-SPT 5-4 V - Pitch spacer

1701535

<https://www.phoenixcontact.com/us/products/1701535>

Please be informed that the data shown in this PDF document is generated from our online catalog. Please find the complete data in the user documentation. Our general terms of use for downloads are valid.



Pitch spacer, color: green, product range: DECKEL + RZ + DP, width: 7.3 mm



Your advantages

- Time saving push-in connection, tools not required
- Defined contact force ensures that contact remains stable over the long term
- Clamping space opened by means of fixed screwdriver enables convenient conductor connection
- Vertical connection enables multi-row arrangement on the PCB

Commercial data

Item number	1701535
Packing unit	50 pc
Minimum order quantity	50 pc
Note	Made to order (non-returnable)
Sales key	AA18
Product key	AARZCF
GTIN	4046356543156
Weight per piece (including packing)	1.022 g
Weight per piece (excluding packing)	0.958 g
Customs tariff number	85389099
Country of origin	DE

RZ-SPT 5-4 V - Pitch spacer

1701535

<https://www.phoenixcontact.com/us/products/1701535>

Technical data

Product properties

Product type	Pitch spacer
Product family	DECKEL + RZ + DP
Product line	COMBICON Terminals L
Number of positions	0
Number of rows	1
Solder pins per potential	2

Mounting

Mounting type	Wave soldering
---------------	----------------

Material specifications

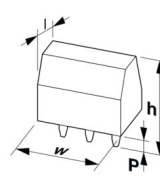
Material data - contact

Note	WEEE/RoHS-compliant, free of whiskers according to IEC 60068-2-82/JEDEC JESD 201
Contact material	Cu alloy
Surface characteristics	Tin-plated
Metal surface terminal point (top layer)	Tin (4 μm - 8 μm Sn)
Metal surface soldering area (top layer)	Tin (4 μm - 8 μm Sn)

Material data - housing

Color (Housing)	green (6021)
Insulating material	PA
Insulating material group	I
CTI according to IEC 60112	600
Flammability rating according to UL 94	V0
Glow wire flammability index GWFI according to EN 60695-2-12	850
Glow wire ignition temperature GWIT according to EN 60695-2-13	775
Temperature for the ball pressure test according to EN 60695-10-2	125 °C

Dimensions

Dimensional drawing	
Pitch	7.5 mm
Width [w]	7.3 mm
Height [h]	19.6 mm
Length [l]	24.15 mm

RZ-SPT 5-4 V - Pitch spacer

1701535

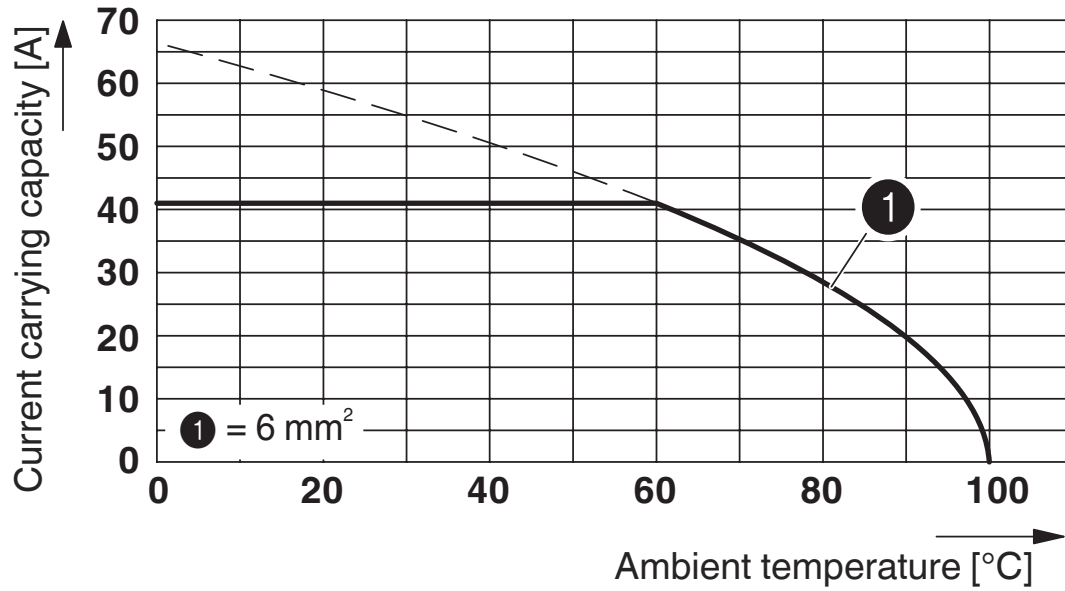
<https://www.phoenixcontact.com/us/products/1701535>



Pin dimensions	1.7 x 0.8 mm
----------------	--------------

Drawings

Diagram



Type: SPT 5/...-V-7,5

RZ-SPT 5-4 V - Pitch spacer



1701535

<https://www.phoenixcontact.com/us/products/1701535>

Classifications

ECLASS

ECLASS-13.0	27460407
ECLASS-15.0	27460407

ETIM

ETIM 10.0	EC002943
-----------	----------

UNSPSC

UNSPSC 21.0	39121400
-------------	----------

RZ-SPT 5-4 V - Pitch spacer



1701535

<https://www.phoenixcontact.com/us/products/1701535>

Environmental product compliance

EU RoHS

Fulfills EU RoHS substance requirements	Yes, No exemptions
---	--------------------

China RoHS

Environment friendly use period (EFUP)	EFUP-E
	No hazardous substances above the limits

EU REACH SVHC

REACH candidate substance (CAS No.)	No substance above 0.1 wt%
-------------------------------------	----------------------------

EF3.1 Climate Change

CO2e kg	0.006 kg CO2e
---------	---------------

Phoenix Contact 2026 © - all rights reserved
<https://www.phoenixcontact.com>

Phoenix Contact USA
586 Fulling Mill Road
Middletown, PA 17057, United States
(+717) 944-1300
info@phoenixcon.com